

**BLU-JET** BY UNVERFERTH NH3 Applicator



**5120 - Parts Catalog**

Beginning with Serial Number A71420100

Part No. 47954

Refer to Part No. 47953 for Operator's Manual

## SECTION V

# Parts

Please visit [www.unverferth.com/parts/](http://www.unverferth.com/parts/) for the most current parts listing.

Decal Components .....	5-4
Clean Water Tank Components .....	5-6
Hitch, Transport Chain, Manual Holder and Jack Components .....	5-8
Depth Control Components .....	5-10
Main Frame Components .....	5-12
Main Frame Transport Wheel Components .....	5-14
Single Wheel Lift Components .....	5-16
Primary Wing Components .....	5-18
Wing Gauge Wheels Components .....	5-20
Secondary 5'8" Wing Components .....	5-22
Secondary 3'2" Wing Components .....	5-24
Secondary Wing Extension For 20 Row 30" Spacing Units .....	5-26
Secondary Wing Extension For 21 Row 30" Spacing Units .....	5-28
Offset Stagger Bracket & Bracket Extension Components .....	5-30
Straight Extension Kit .....	5-32
Pin Adjust Gauge Wheel Leg Assembly (JAM24024) .....	5-33
Hub and Spindle Components (JAAM2800-1) .....	5-34
Hub and Spindle Components (JAAM2788-1) .....	5-35
Main Frame to Primary Wing Hydraulics .....	5-36
Main Frame Transport Wheel & Frame Leveling Hydraulics .....	5-38
Wing Gauge Wheel Hydraulics .....	5-40
Primary Wing to Secondary Wing Hydraulics .....	5-41
Secondary Wing Extension Hydraulics (52' Units ONLY) .....	5-42
Horizontal Coulter Mounting Bracket Components .....	5-43
Horizontal Spring Coulter Assembly .....	5-44
Horizontal Coulter Arm & Spring Components .....	4-46
Horizontal Coulter Arm Hub Assembly Components .....	4-47
SealPro II (47615B) & Blades For 1 1/4" Edge Bent Shank .....	5-48
Sealer Spring Add-On Kit .....	5-50
DiscCover Double Disc Sealer & Notched Blade .....	5-52
DiscCover Sealer Add-On Kit .....	5-54
Shank Knives .....	5-55
Shank Assembly, 1 1/4" EdgeBent SCS, Less Coulter (44825B) .....	5-56
Row Clamp, 1 1/4" EdgeBent MaxPac w/Shank & Coulter Mount .....	5-58
Torsion Basket & Mounting Components for MaxPac Only .....	5-60
Residue Manager Components .....	5-62
Nurse Tank Hitch Assembly Components .....	5-64
Nurse Tank Hitch, Low Mounting Components .....	5-66
Auto-Lok Nurse Tank Hitch Components .....	5-67
SuperShooter III Connection - Single 1.25" Plumbing .....	5-68
SuperShooter III Connection - Double 1.25" Plumbing/Dual Coolers .....	5-70
SuperShooter III Connection - Double 1.25" Plumbing .....	5-72
SuperShooter III Components - 1.25" Connection (JAAM3514) .....	5-74
SuperShooter III Connection - Single 1.5" Plumbing .....	5-76
SuperShooter III Connection - Double 1.5" Plumbing/Dual Coolers .....	5-78
SuperShooter III Connection - Double 1.5" Plumbing .....	5-80
SuperShooter III Max Components - 1.5" Connection (JAAM3516) .....	5-82

## SECTION V

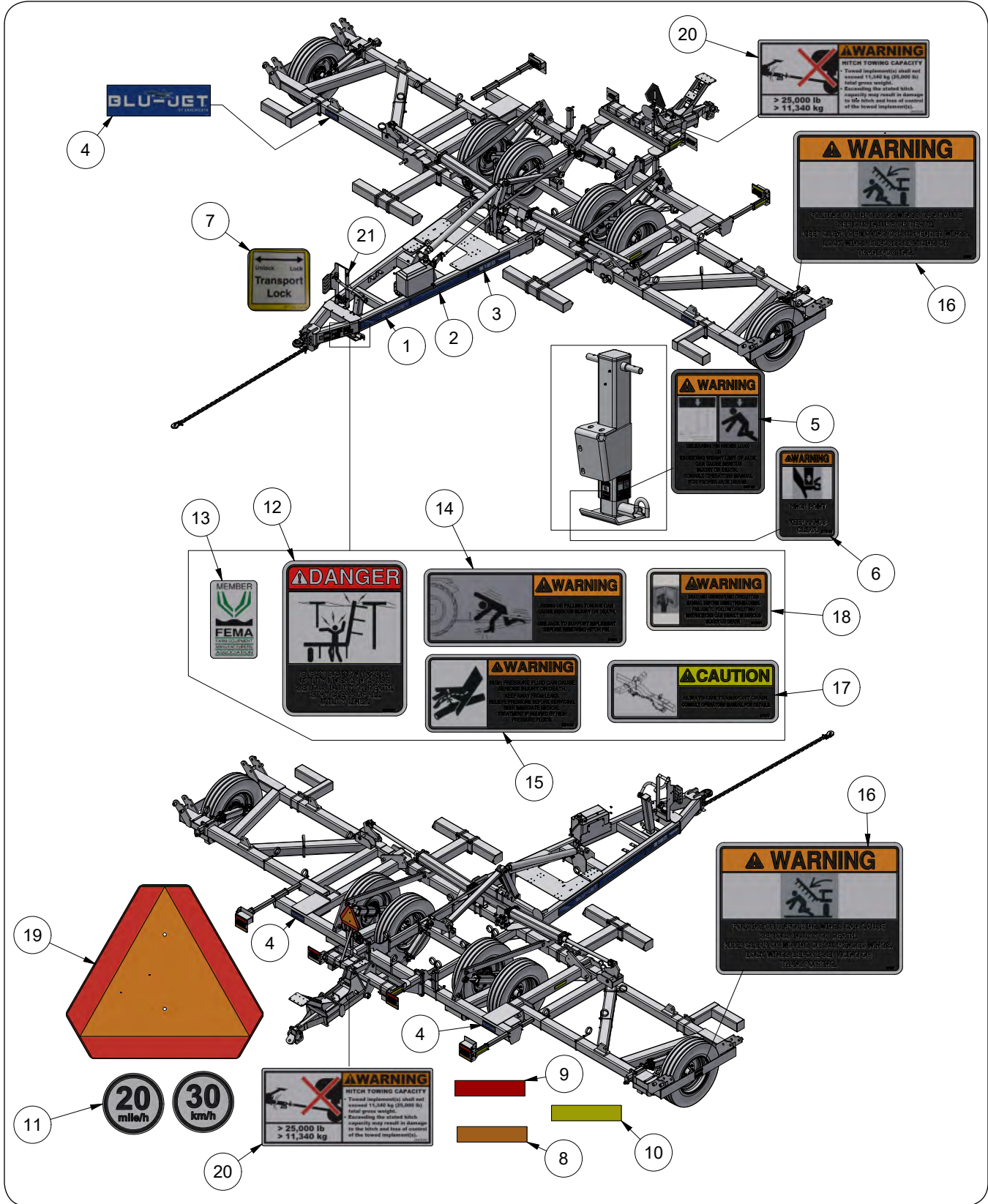
# Parts

**Please visit [www.unverferth.com/parts/](http://www.unverferth.com/parts/) for the most current parts listing.**

Impellicone and Mounting Hdw - 2 Section John Blue .....	5-84
Impellicone and Mounting Hdw - 3 Section John Blue .....	5-86
Impellicone and Mounting Hdw - 4 Section John Blue .....	5-88
Manifold and Mounting Hdw - 2 Section Continental.....	5-90
Manifold and Mounting Hdw - 3 Section Continental.....	5-92
Manifold and Mounting Hdw - 4 Section Continental.....	5-94
Distribution 2 Section Hoses and Electrical Components.....	5-96
Distribution 3 Section Hoses and Electrical Components.....	5-98
Distribution 4 Section Hoses and Electrical Components.....	5-100
1.5" Flow Control Valve .....	5-102
1.0" Flow Control Valve (Optional).....	5-104
Cooler.....	5-106
Cooler - Single Continental (Optional).....	5-108
Cooler - Dual Continental (Optional).....	5-110
AG Leader Rate Controller Components.....	5-112
Raven 450 Rate Controller Components.....	5-114
Less ISO Controller Components.....	5-115
Lighting Components .....	5-116

Decals

Please visit [www.unverferth.com/parts/](http://www.unverferth.com/parts/) for the most current parts listing.



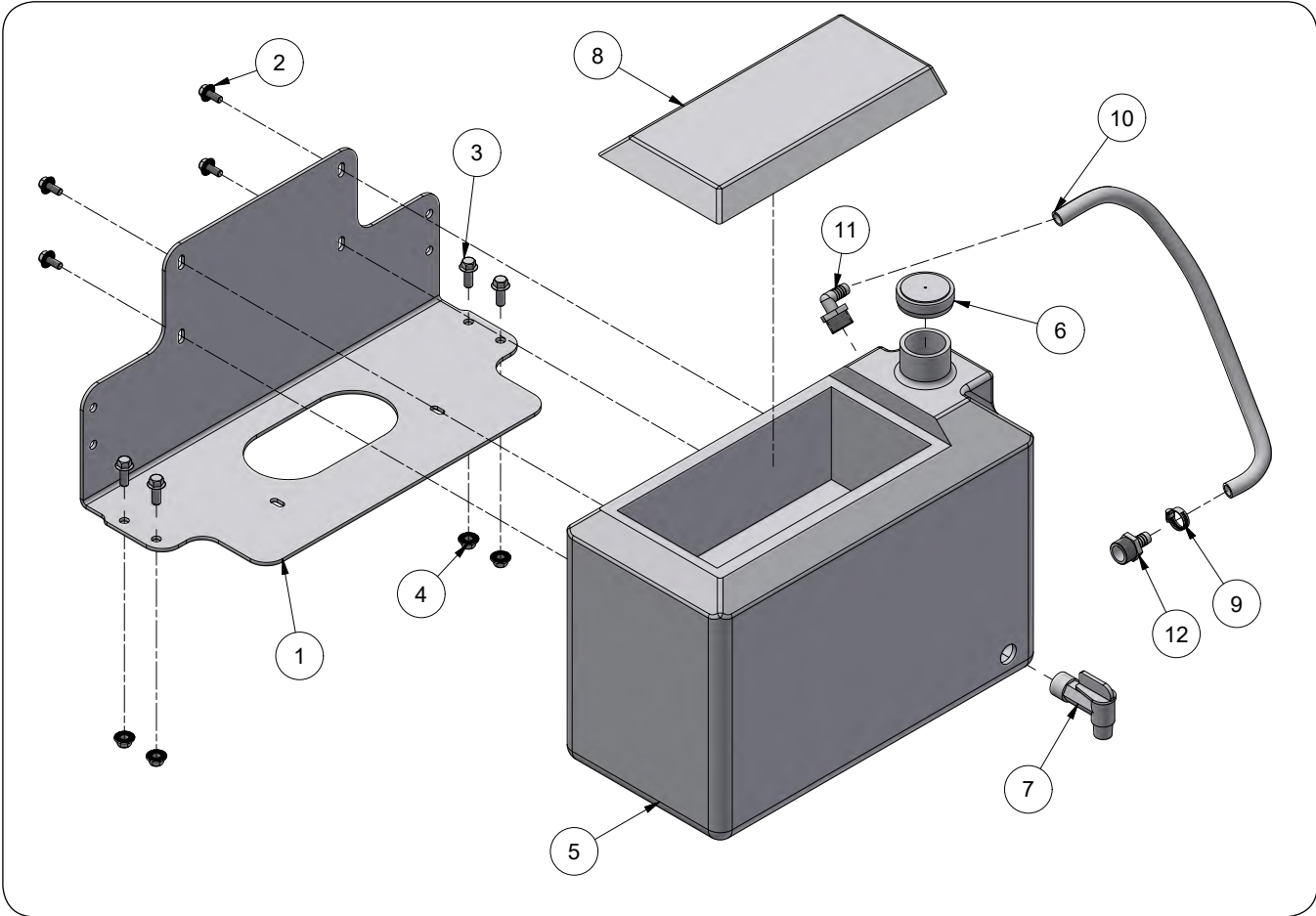
## Decal Components

Please visit [www.unverferth.com/parts/](http://www.unverferth.com/parts/) for the most current parts listing.

ITEM	PART NUMBER	DESCRIPTION	QTY	NOTES
1	47970	Decal, Blu-Jet (4 1/2" x 36")	2	
2	47971	Decal, Blu-Jet Stripping (4 1/2" x 42")	2	
3	47973	Decal, Blu-Jet 5120 Model	2	
4	47975	Decal, Blu-Jet (3" x 10")	8	
5	9501197	Decal, WARNING "Releasing Pin Under Load"	1	
6	97048	Decal, WARNING "Pinch Point"	1	
7	JAP2481	Decal, Transport Lock	1	
8	9003125	Fluorescent Strip, 2" x 9"	4	
9	9003126	Reflector, RED 2" x 9"	4	
10	9003127	Reflector, AMBER 2" x 9"	8	
11	9008714	Decal, SIS "20 MPH"	2	
	9008720	Decal, SIS "30 KPH"		
12	902221	Decal, DANGER "Electrocution Hazard"	1	
13	91605	Decal, FEMA	1	
14	94094	Decal, WARNING "Rising or Falling Tongue"	1	
15	95445	Decal, WARNING "High-Pressure Fluid"	1	
16	97337	Decal, WARNING "Folding or Unfolding Wings"	4	
17	97575	Decal, CAUTION "Transport Chains"	1	
18	97961	Decal, WARNING "Read and Understand Operator Manual"	1	
19	TA510514	SMV Emblem	1	
20	JAP2585	Decal, WARNING "Hitch Towing Capacity"	2	
21	9505122	Decal, Hose Legend	1	

### Clean Water Tank Components

Please visit [www.unverferth.com/parts/](http://www.unverferth.com/parts/) for the most current parts listing.



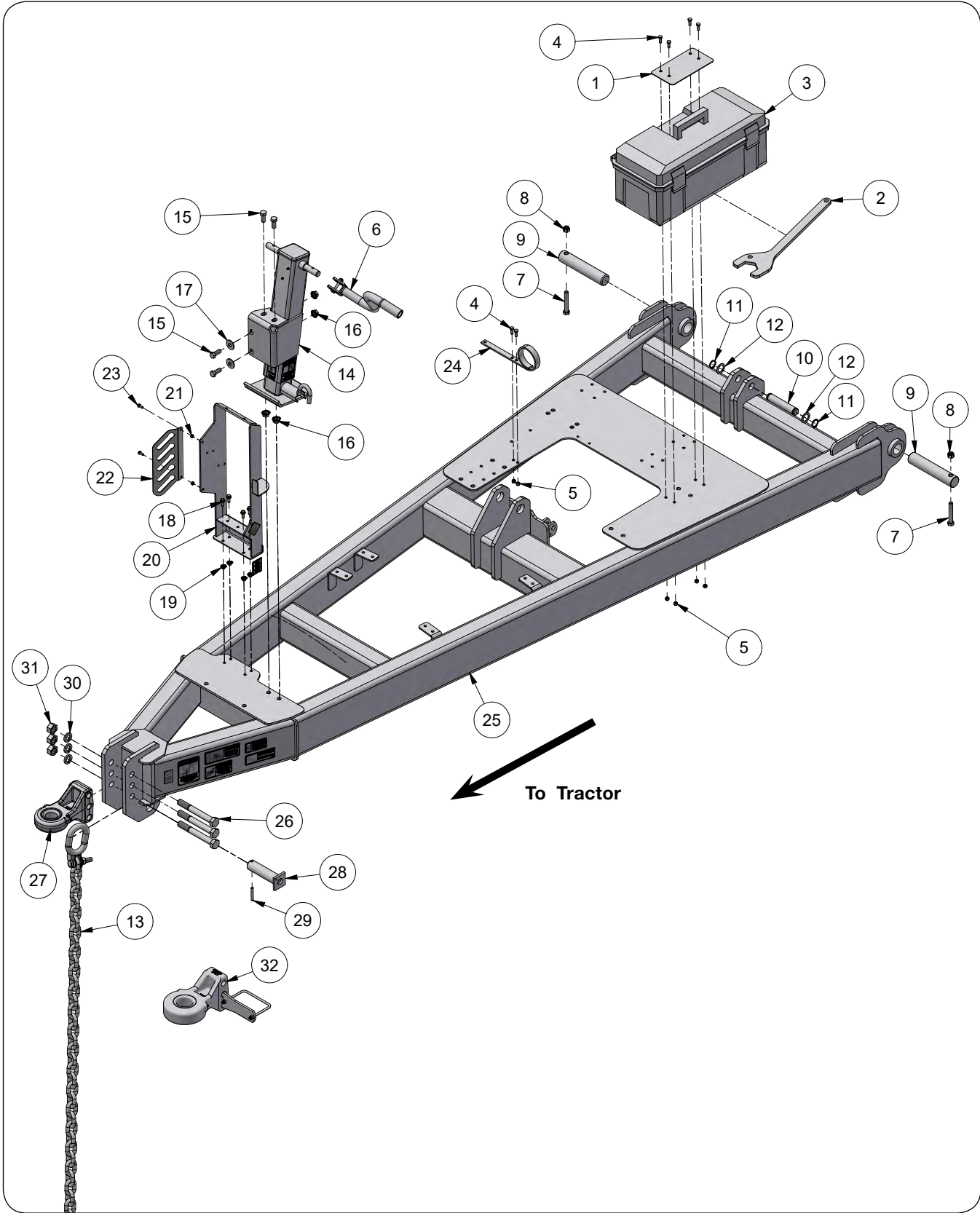
## Clean Water Tank Components

Please visit [www.unverferth.com/parts/](http://www.unverferth.com/parts/) for the most current parts listing.

ITEM	PART NUMBER	DESCRIPTION	QTY	NOTES
	47864B	Clean Water Tank Assembly		INCLUDES ITEMS 1-10
	JPKG00040	9 Gallon Clean Water Tank Package	1	Includes Items 2-8
1	47443B	Rinse Tank Plate =Black=	1	
2	91256	Flange Screw, 5/16"-18UNC x 3/4" G5	4	
3	91262	Flange Screw, 3/8"-16UNC x 1" G5	4	
4	91263	Nut/Large Flange, 3/8"-16UNC	4	
5	JAP2137	Clean Water Tank Assembly	1	Includes Items 6-12
6	JAP2272	2" Fill Cap Replacement	1	
7	JAP2329	Spigot	1	
8	JAP2337	Toolbox Lid	1	
9	TA800902	Hose Clamp M-6 (SS)	1	
10	TA806554	1/2" Clear Vinyl Tubing - 24" Length	3 Ft.	
11	TA808275	90° Elbow, 3/4"-14MPT x 1/2" Poly Hose Barb	1	
12	TA810300	Hose Barb, 3/4"-14MPT x 1/2" HS Straight Poly Hose Barb	1	

### Hitch, Transport Chain, Manual Holder and Jack Components

Please visit [www.unverferth.com/parts/](http://www.unverferth.com/parts/) for the most current parts listing.





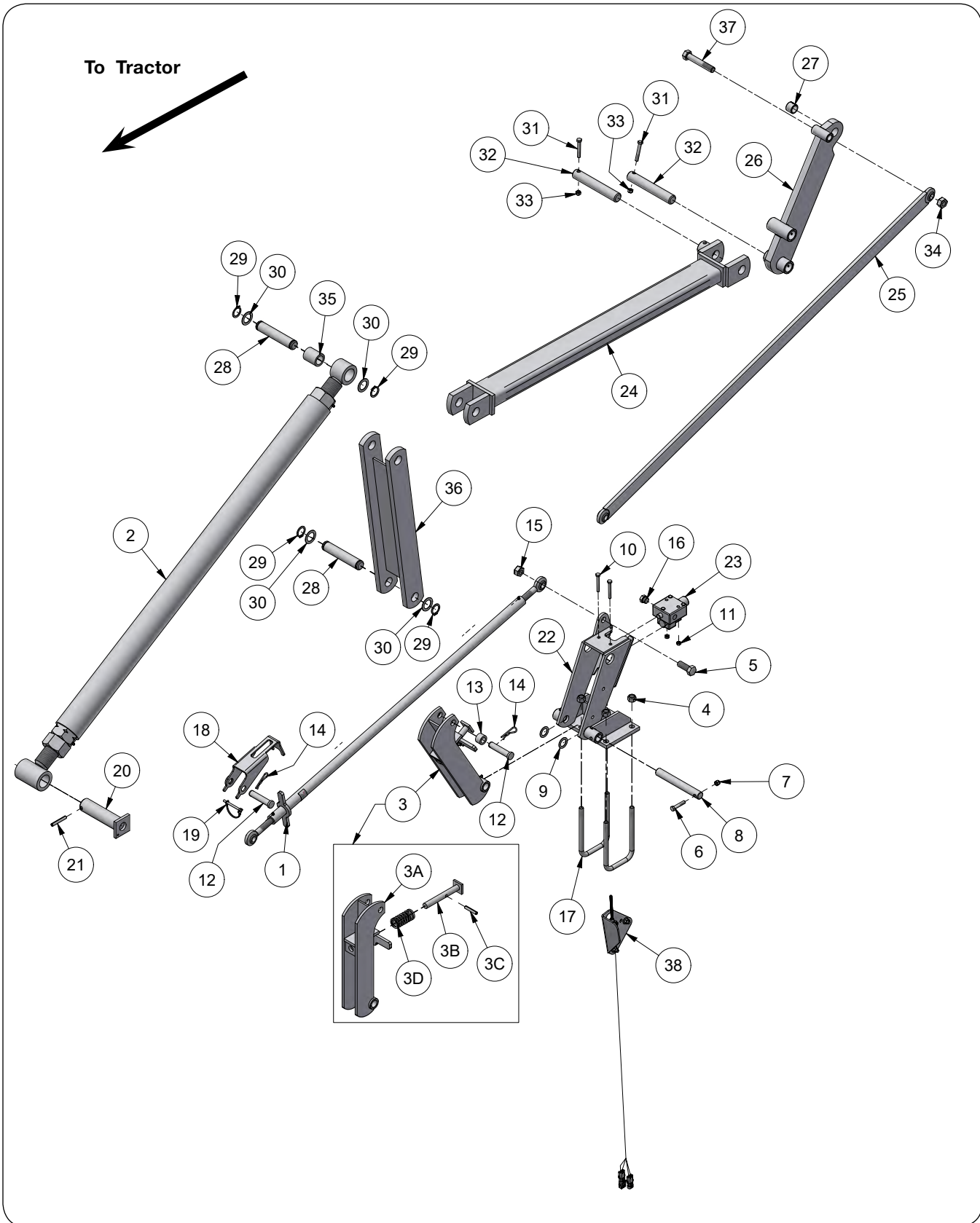
## Hitch, Transport Chain, Manual Holder and Jack Components

Please visit [www.unverferth.com/parts/](http://www.unverferth.com/parts/) for the most current parts listing.

ITEM	PART NUMBER	DESCRIPTION	QTY	NOTES
1	47399B	Toolbox Plate =Black=	1	
2	47887B	Turnbuckle Wrench =Black=	1	
3	9008634	Toolbox, 26"	1	
4	9390-055	Capscrew, 3/8"-16UNC x 1" G5	6	
5	9928	Locknut/Top, 3/8"-16UNC	6	
6	9500583	Crank Handle with Mounting Hardware	1	
7	9390-132	Capscrew, 5/8"-11UNC x 4" G5	2	
8	9398-019	Elastic Locknut, 5/8"-11UNC	2	
9	JBM3565	Pin, 2" Dia. x 10 1/4"	2	
10	JBM3547	Pin, 1 1/4" Dia. x 6.53"	1	
11	JAP2711	Snap Ring, 1 1/4"	2	
12	91174	Machinery Bushing, 1.25" ID x 1.875" OD	2	
13	9003269	Transport Chain (60,600#)	1	
14	47441B	Jack Weldment =Black=	1	
15	9390-122	Capscrew, 5/8"-11UNC x 1 1/2" G5	4	
16	9502324	Flange Nut, 5/8"-11UNC	4	
17	9405-100	Flat Washer, 5/8" USS	2	
18	91262	Flange Screw, 3/8"-16UNC x 1" G5	4	
19	91263	Nut/Large Flange, 3/8"-16UNC	4	
20	47428B	Gauge Tree Weldment =Black=	1	
21	9807	Locknut/Top, 5/16"-18UNC	2	
22	415536	Hose Caddy Plate	1	
23	9390-028	Capscrew, 5/16"-18UNC x 3/4" G5	2	
24	JAM4015	Hose Retainer Closed Loop Plate =Black=	1	
25	47367BB	Tongue Weldment =Blu-Jet Blue=	1	
26	91299-199	Capscrew, 1"-8UNC x 8" G8	3	
27	JAP3228	Ball Swivel Hitch CAT 4	1	
28	JBM3610	Pin Weldment, 1 3/4" Dia. x 7 1/8"	1	
29	9392-182	Roll Pin, 3/8" Dia. x 2 1/2"	1	
30	9404-041	Lock Washer, 1"	3	
31	9394-020	Hex Nut, 1"-8UNC	3	
32	43634	Ball Swivel Hitch CAT 5 Option	1	

### Depth Control Components

Please visit [www.unverferth.com/parts/](http://www.unverferth.com/parts/) for the most current parts listing.



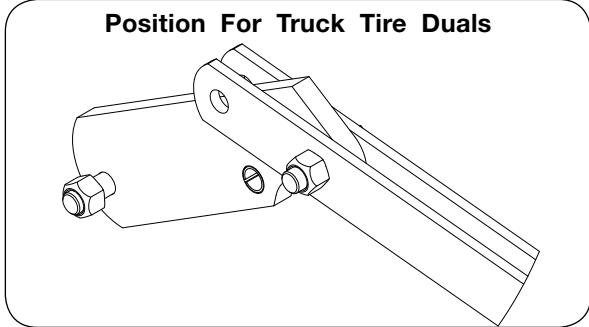
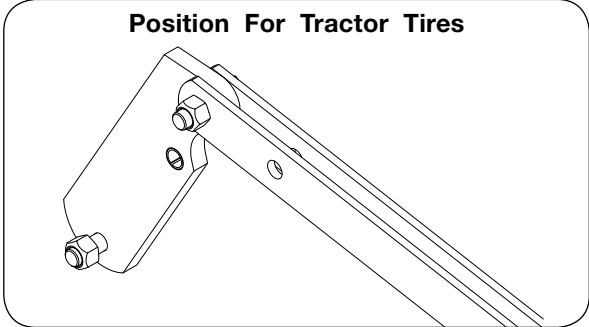
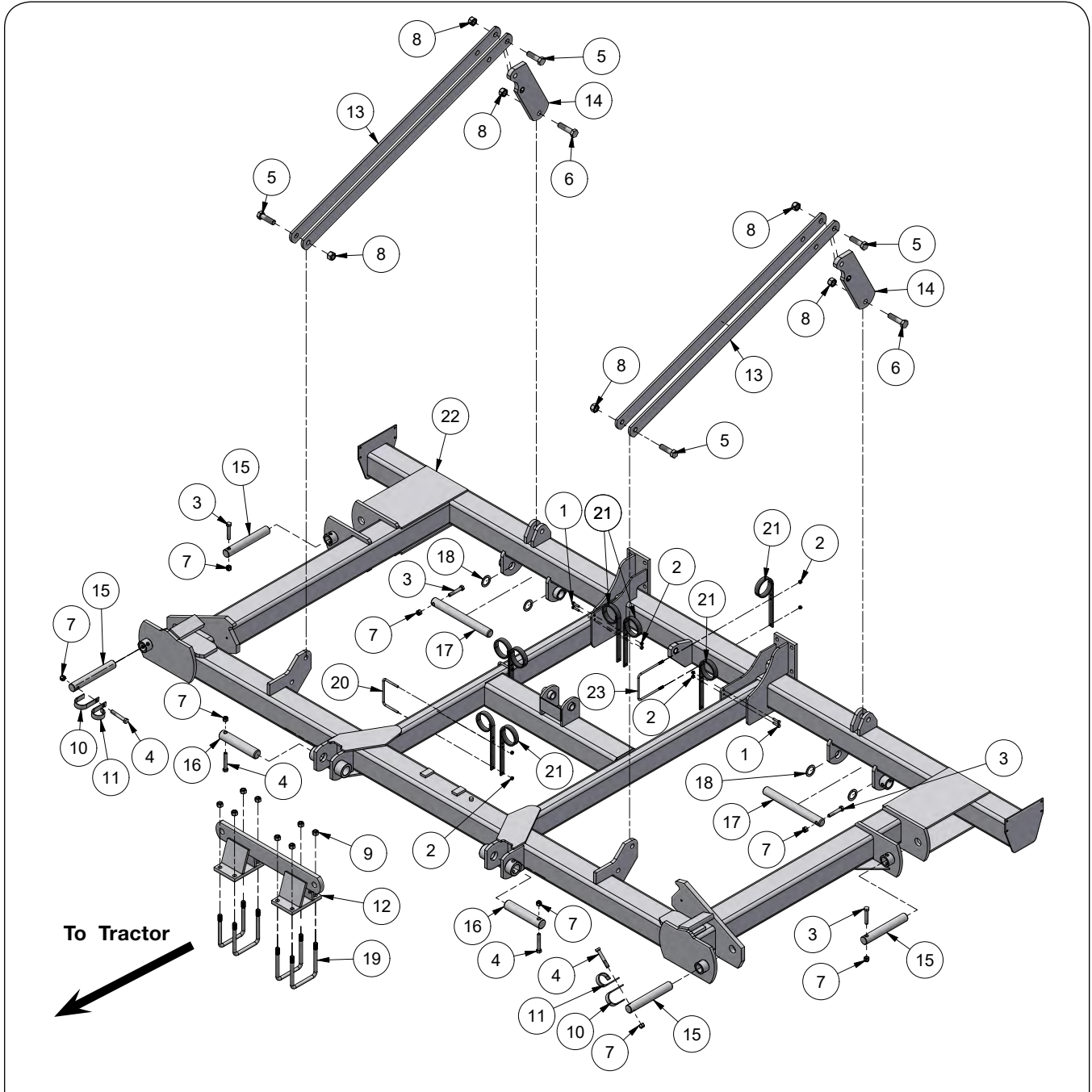
## Depth Control Components

Please visit [www.unverferth.com/parts/](http://www.unverferth.com/parts/) for the most current parts listing.

ITEM	PART NUMBER	DESCRIPTION	QTY	NOTES
1	47455B	Depth Control Adjustment Linkage =Black=	1	
2	47370B	Turnbuckle Assembly =Black=	1	
3	JAAM2928	Stop Arm With Plunger Assembly	1	Includes Items 3A-3D
3A	JAM6265	Stop Arm Weldment	1	
3C	9392-180	Roll Pin, 3/8" Dia. x 2"	1	
3B	JAM4627	Depth Gauge Plunger	1	
3D	JAP2193	Compression Spring, 1.4" OD x 3"	1	
4	9801	Locknut/Top, 5/8"-11UNC	4	
5	9390-145	Capscrew, 3/4"-10UNC x 2" G5	1	
6	9390-059	Capscrew, 3/8"-16UNC x 2" G5	3	
7	9398-012	Elastic Locknut, 3/8"-16UNC	1	
8	JBM3487	Pin, 1" Dia. x 7 3/4"	1	
9	JBP3215	Machinery Bushing, 1 1/2" OD x 1" ID x 14GA	2	
10	9390-036	Capscrew, 5/16"-18UNC x 2 1/2" G5	2	
11	9807	Locknut/Top, 5/16"-18UNC	2	
12	9981	Clevis Pin, 3/4" Dia. x 3 1/2"	2	
13	JBM3453	Spacer, 1 1/4" OD x .812" ID x 13/16"	1	
14	JBP3504	Hair Clip Pin, 1/8"	2	
15	96732	Locknut/Center, 3/4"-10UNC	1	
16	93657	Plug, 3/4-16 O-ring Male	1	
17	JBP3331	U-Bolt, 5/8"-11UNC x 7 1/2", 4 11/16" c/c	2	
18	JAM6271	Adjuster Latch Plate	1	
19	JBP3376	Wire Retaining Pin, 1/4"Dia. x 2"	1	
20	JBM3610	Pin Weldment, 1 3/4" Dia. x 6 5/16"	2	
21	9392-182	Roll Pin, 3/8" Dia. x 2 1/2"	2	
22	47818B	Arm Weldment, Heavy Duty Depth Control =Black=	1	
23	9504712	Heavy Duty Depth Control Valve	1	
24	JAM6183	Tongue Cylinder Linkage	1	
25	JAM6266	Stop Linkage	1	
26	JAM6182	Tongue Cylinder Arm Linkage	1	
27	91268	Split Tension Bushing, 1 1/4" OD x 1" ID x 1"	1	
28	JBM3547	Pin, 1 1/4" Dia. x 5 3/4"	2	
29	JAP2711	Snap Ring 1 1/4", External Heavy-Duty Retaining Ring	8	
30	91174	Machinery Bushing, 1 7/8" OD x 1 1/4" ID x 14GA	8	
31	9390-061	Capscrew, 3/8"-16UNC x 2 1/2" G5	3	
32	JBM3465	Pin, 1 1/4" Dia. x 7 3/4"	2	
33	9928	Locknut/Top, 3/8"-16UNC	2	
34	96732	Locknut/Center, 3/4"-10UNC	1	
35	JEM3735	Bushing 1 3/4" OD x 1.275" ID x 2 1/8"	1	
36	JAM4512	Turnbuckle Support Weldment	1	
37	9390-154	Capscrew, 3/4"-10UNC x 4 1/2" G5	1	
38	47526B	Implement Switch Kit	1	

### Main Frame Components

Please visit [www.unverferth.com/parts/](http://www.unverferth.com/parts/) for the most current parts listing.



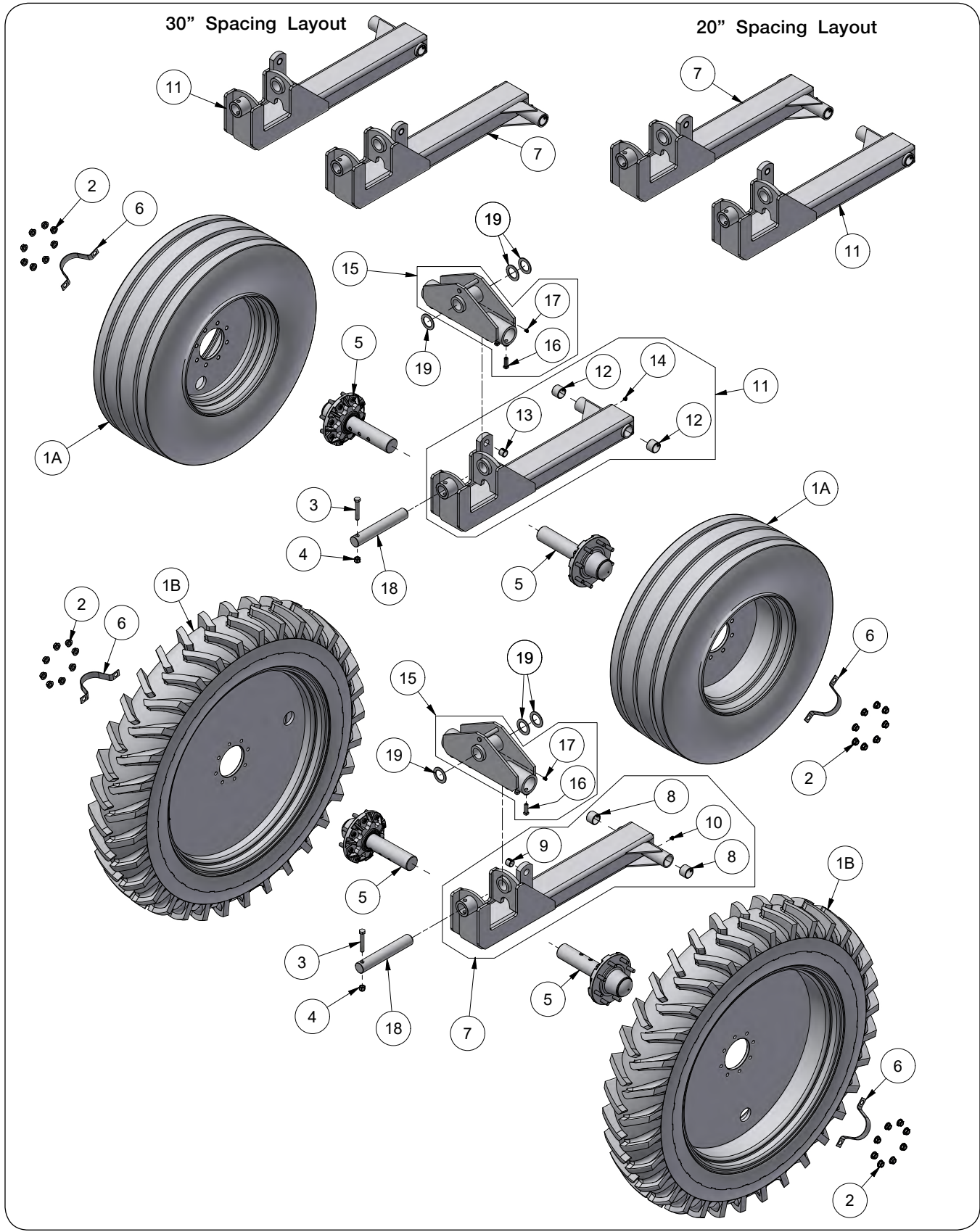
## Main Frame Components

Please visit [www.unverferth.com/parts/](http://www.unverferth.com/parts/) for the most current parts listing.

ITEM	PART NUMBER	DESCRIPTION	QTY	NOTES
1	9390-057	Capscrew, 3/8"-16UNC x 1 1/2" G5	4	
2	9928	Locknut/Top, 3/8"-16UNC	10	
3	9390-130	Capscrew, 5/8"-11UNC x 3 1/2" G5	6	
4	9390-132	Capscrew, 5/8"-11UNC x 4" G5	4	
5	9390-189	Capscrew, 1"-8UNC x 3 1/2" G5	4	
6	9390-191	Capscrew, 1"-8UNC x 4" G5	6	
7	9398-019	Elastic Locknut, 5/8"-11UNC	10	
8	9663	Locknut/Top, 1"-8UNC	6	
9	9802	Locknut/Top, 3/4"-10UNC	8	
10	JAM4415	Hose Retainer Open Loop	2	
11	JAM4442	Hose Retainer Closed Loop	2	
12	JAM4563	Bolt-On Cylinder Lug	1	
13	JAM6179	Cylinder Lug Support Linkage	4	
14	JAM6202	Bolt-On Cylinder Lug w/Notch	2	
15	JBM3485	Pin, 1 3/4" Dia. x 12 1/8"	4	
16	JBM3565	Pin, 2" Dia. x 10 1/4"	2	
17	JBM3664	Pin, 1 3/4" Dia. x 16 9/16"	2	
18	JBP3205	Machinery Bushing 2 1/2" OD x 1 3/4" ID x 10GA	8	
19	JBP3350	U-Bolt, 3/4"-10UNC x 7 11/16", 6 13/16CC	4	
20	95142	U-Bolt, 3/8"-16UNC x 4", 6 7/16CC	2	
21	JAM4015	Hose Retainer Closed Loop 6" & 7" Mounting	8	
22	JAM6172BB	Main Frame Weldment =Blu-Jet Blue=	1	
23	JBP3351	U-Bolt, 3/8"-16UNC x 7", 6 7/16CC	1	

### Main Frame Transport Wheel Components

Please visit [www.unverferth.com/parts/](http://www.unverferth.com/parts/) for the most current parts listing.



## Main Frame Transport Wheel Components

Please visit [www.unverferth.com/parts/](http://www.unverferth.com/parts/) for the most current parts listing.

ITEM	PART NUMBER	DESCRIPTION	QTY	NOTES
1A	111274SM	Wheel & Tire Assembly 11.75 x 22.5/65 x 22.5	4	Includes Valve Stem, Tire & Wheel
	93300	Valve Stem	1	
	N/A	Tire 385/65R22.5F 163D I-1	1	
	111146SM	Wheel 11.75 x 22.5	1	
	111275SM	Wheel and Tire Assembly 8.25 x 22.5/10.6 x 22.5	4	Includes Valve Stem, Tire & Wheel
	9817	Valve Stem	4	
	N/A	Tire TLVF295/75R22.5F	4	
	W8.2522.5-8SM	Wheel 8.25 x 22.5 (8 Bolt)	4	
1B	111272SM	Wheel and Tire Assembly 10x38 TL12.4B38G 14-PLY R-1	4	Includes Valve Stem, Tire & Wheel
	93300	Valve Stem	1	
	N/A	Tire TL12.4B38G 14-Ply R-1	1	
	111138SM	Wheel 10x38 (8 Bolt)	1	
2	9002237	Flange Nut, 5/8"-18UNF G8	32	For Wheels 11.75 x 22.5 & 10x38
	9610	Wheel Nut, /8"-18UNF G5		For Wheel 8.25 x 22.5
3	9390-132	Capscrew, 5/8"-11UNC x 4" G5	2	
4	9398-019	Elastic Locknut, 5/8"-11UNC	2	
5	JAAM2800-1	Hub and Spindle Assembly	4	Refer to Hub & Spindle Components Parts Pages
6	JAM4597	Hub Cap Strap	4	
7	JAM6173	Wheel Leg Weldment, LH	1	Includes Items 8, 9, & 10
8	JBP3538	Split Tension Bushing 2" OD x 1 3/4" ID x 1 1/2"	2	
9	91268	Split Tension Bushing 1 1/4" OD x 1" ID x 1"	1	
10	93415	Grease Zerk 90°	1	
11	JAM6174	Wheel Leg Weldment, RH	1	Includes Items 12, 13, & 14
12	JBP3538	Split Tension Bushing 2" OD x 1 3/4" ID x 1 1/2"	2	
13	91268	Split Tension Bushing 1 1/4" OD x 1" ID x 1"	1	
14	93415	Grease Zerk 90°	1	
15	JAM6198	Duals, Rocker with Spindle Loops For 2 3/4" Spindle	2	Includes Items 16 & 17
16	JBP3079	Set Screw 5/8"-11UNC x 1 3/4"	6	
17	93415	Grease Zerk 90°	1	
18	JBM3640	Pin, 2" Dia. x 12 5/8"	2	
19	JBP3599	Machinery Bushing 3" OD x 2" ID x 10GA	6	

**NOTE:** 30" row spacing

Outside and inside wheels, valve stems to the inside of the dual.

**NOTE:** 20" row spacing swap wheel legs from left to right

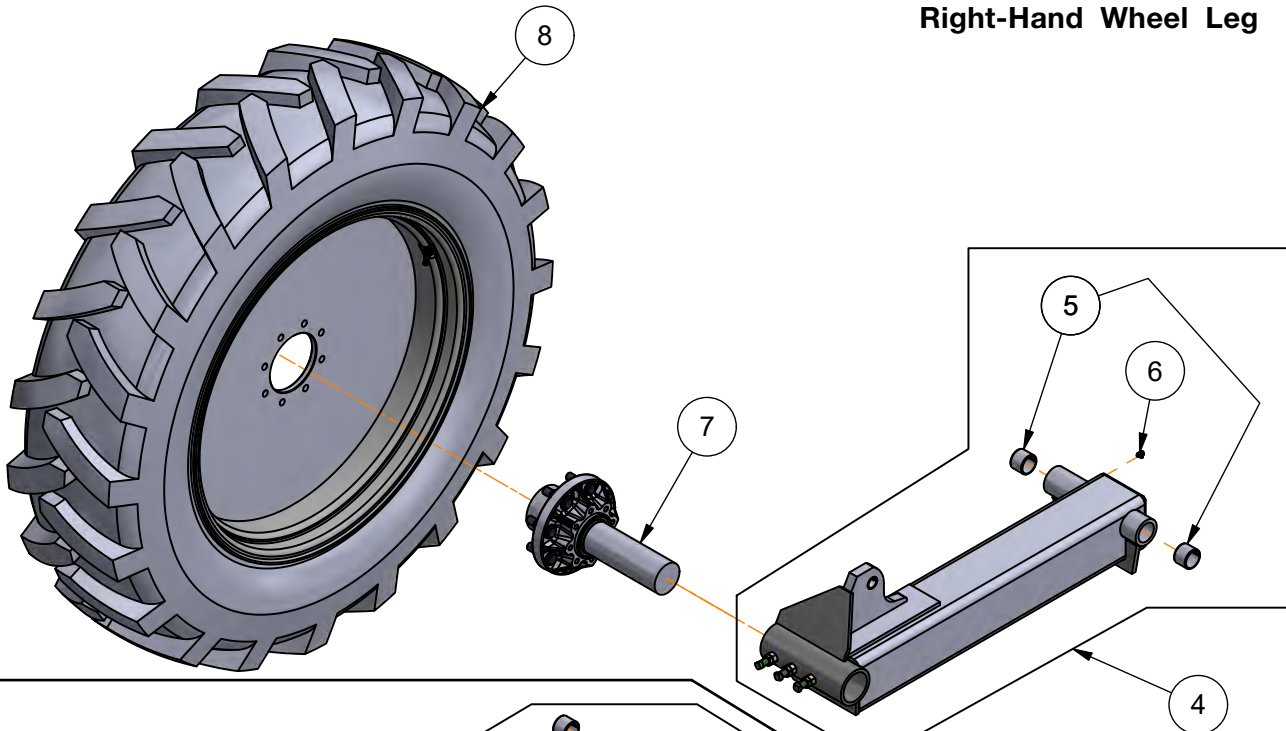
Outside wheel, valve stems to outside of the dual.

Inside wheels valve stems to inside of the dual.

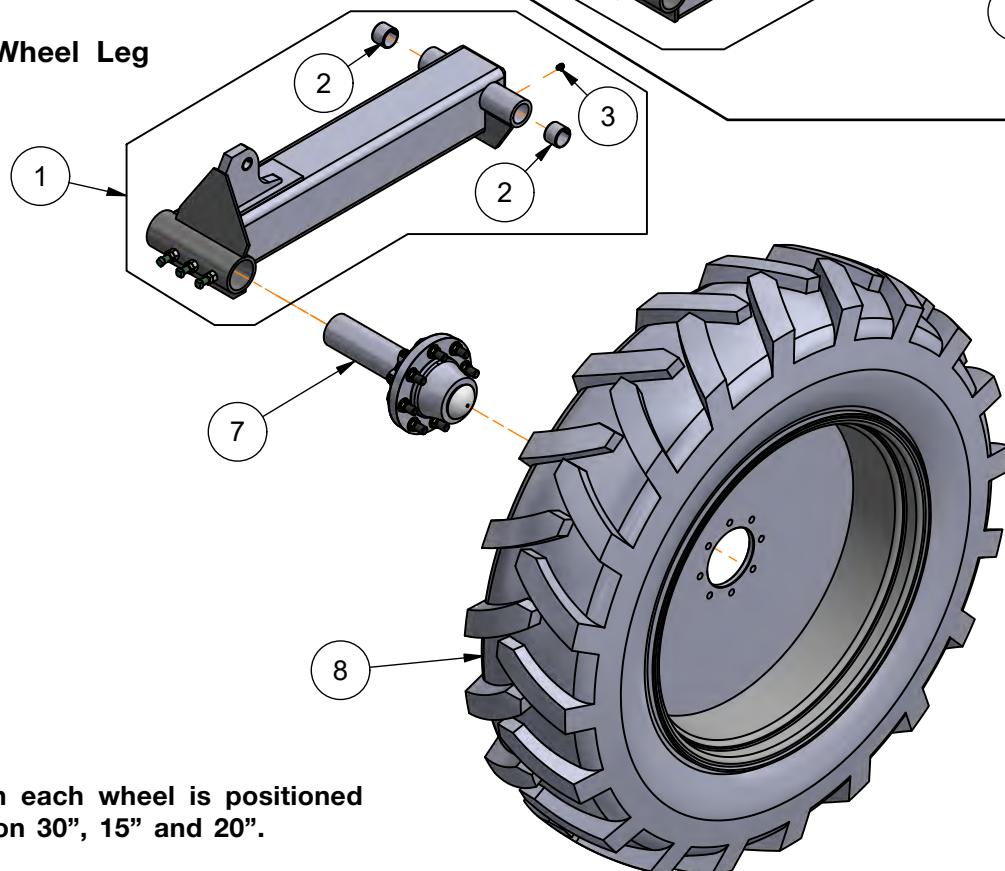
### Single Wheel Lift Components

Please visit [www.unverferth.com/parts/](http://www.unverferth.com/parts/) for the most current parts listing.

Right-Hand Wheel Leg



Left-Hand Wheel Leg



**NOTE:**  
Valve stem on each wheel is positioned to the inside on 30", 15" and 20".



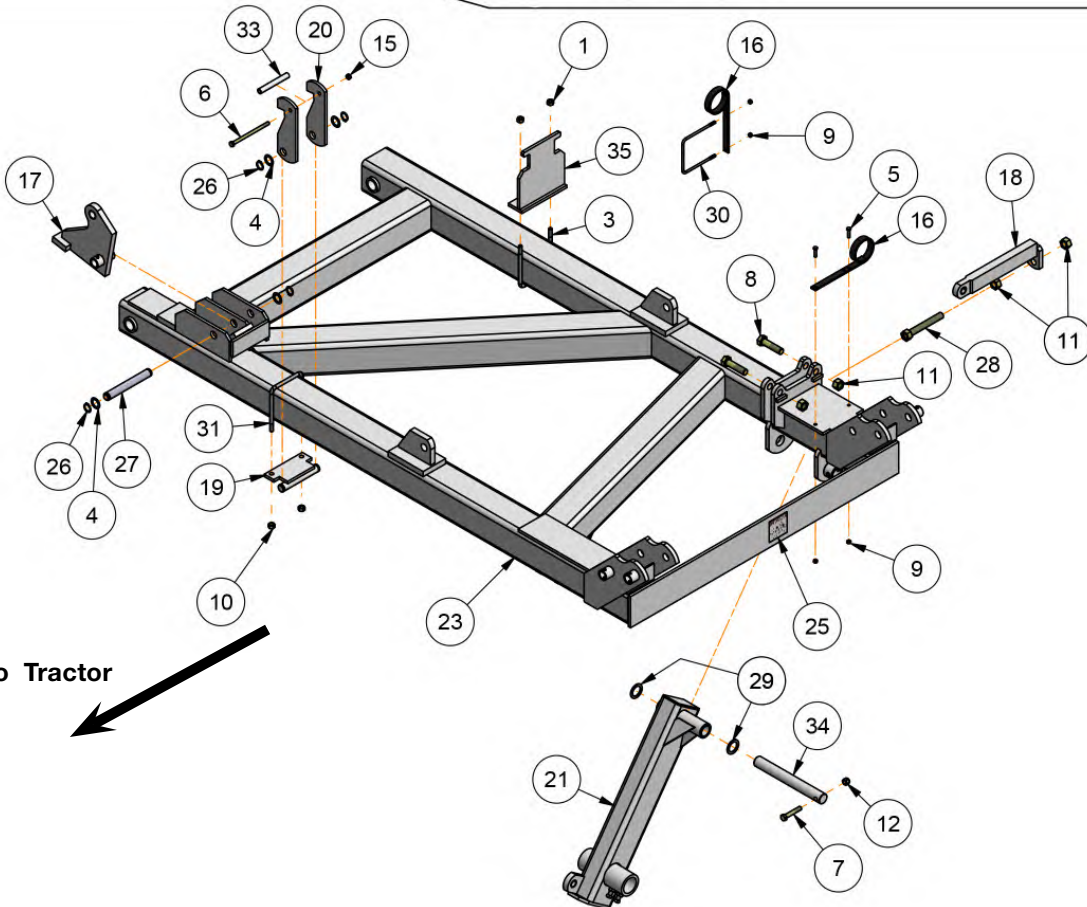
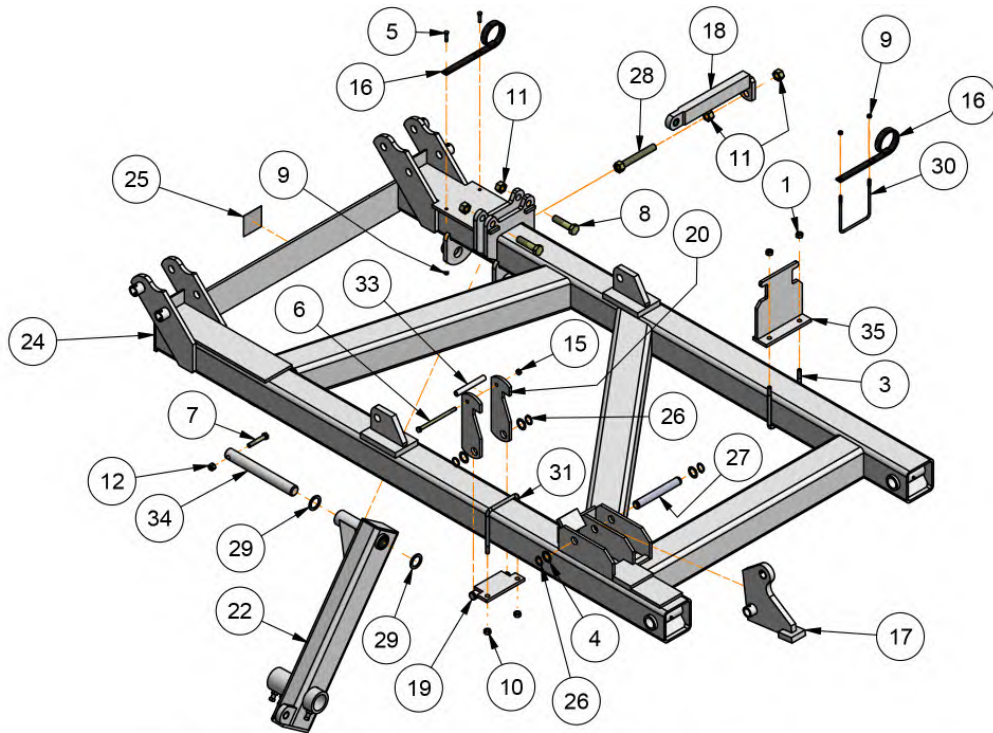
## Single Wheel Lift Components

Please visit [www.unverferth.com/parts/](http://www.unverferth.com/parts/) for the most current parts listing.

ITEM	PART NUMBER	DESCRIPTION	QTY	NOTES
1	JAM6226	Wheel Leg Weldment, LH	1	Includes Items 2 & 3
2	JBP3538	Split Tension Bushing 2" OD x 1 3/4" ID x 1 1/2"	2	
3	93415	Grease Zerk 90°	1	
4	JAM6227	Wheel Leg Weldment, RH	1	Includes Items 5 & 6
5	JBP3538	Split Tension Bushing 2" OD x 1 3/4" ID x 1 1/2"	2	
6	93415	Grease Zerk 90°	1	
7	JAAM2788-1	Hub and Spindle Assembly	2	
8	111273SM	Wheel and Tire Assembly 13x34/TL380/85R34	1	Includes Valve Stem, Tire & Wheel
	93300	Valve Stem	2	
	N/A	Tire TL380/85R34MT R-1W	2	
	111144SM	Wheel 13x34 (8 Bolt)	2	

### Primary Wing Components

Please visit [www.unverferth.com/parts/](http://www.unverferth.com/parts/) for the most current parts listing.



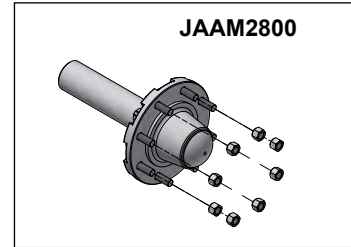
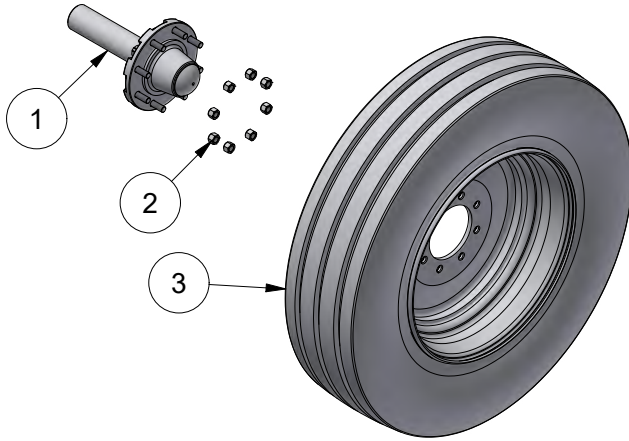
## Primary Wing Components

Please visit [www.unverferth.com/parts/](http://www.unverferth.com/parts/) for the most current parts listing.

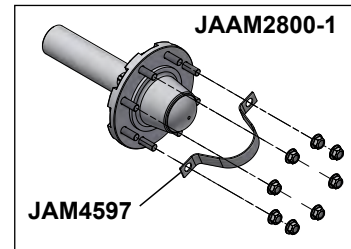
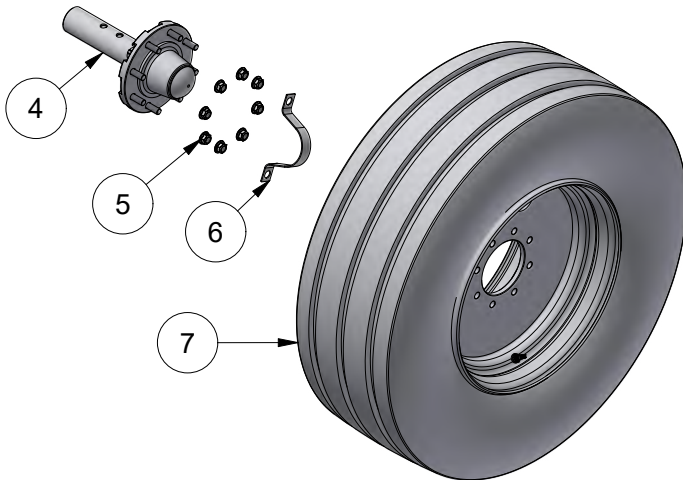
ITEM	PART NUMBER	DESCRIPTION	QTY	NOTES
1	9801	Lock Nut/Top, 5/8"-11UNC	16	
2	9404-029	Lock Washer, 5/8"	16	
3	JBP3354	U-Bolt 5/8"-11UNC x 7 3/4", 6 11/16"CC	2	
4	91174	Machinery Bushing, 1 7/8" OD x 1 1/4" ID x 14GA	12	
5	9390-057	Capscrew, 3/8"-16UNC x 1 1/2" G5	6	
6	9390-119	Capscrew, 1/2"-13UNC x 8" G5	2	
7	9390-130	Capscrew, 5/8"-11UNC x 3 1/2" G5	6	
8	9390-191	Capscrew, 1"-8UNC x 4" G5	6	
9	9928	Lock Nut/Top, 3/8"-16UNC	46	
10	9801	Lock Nut/Top, 5/8"-11UNC	16	
11	92199	Lock Nut/Center, 1"-8UNC	14	
12	9398-019	Elastic Lock Nut, 5/8"-11UNC	10	
15	9800	Lock Nut/Top, 1/2"-13UNC	2	
16	JAM4015	Hose Retainer Closed Loop 6" & 7" Mounting	20	
17	JAM4524	Rocker Plate Weldment	2	
18	JAM4564	Cylinder Lug Weldment, Screw Adjust	2	
19	JAM4566	Secondary Wing Latch Pivot Weldment	2	
20	JAM4568	Secondary Wing Lock Plate	4	
21	JAM6163	Wheel Leg LH Weldment w/Single Loop	1	
22	JAM6164	Wheel Leg RH Weldment w/Single Loop	1	
23	JAM6187BB	Primary Wing, LH	1	
24	JAM6188BB	Primary Wing, RH	1	
25	97337	Decal, WARNING (Wings)	4	
26	JAP2711	Snap Ring 1 1/4", External Heavy-Duty Retaining Ring	12	
27	JBM3544	Pin, 1 1/4" Dia. x 9"	2	
28	JBM3555	Hex Bolt Weldment 1"-8UNC x 7 5/16"	2	
29	JBP3205	Machinery Bushing, 2 1/2" OD x 1 3/4" ID x 10GA	8	
30	JBP3351	U-Bolt, 3/8"-16UNC x 7", 6 7/16"CC	18	
31	JBP3354	U-Bolt, 5/8"-11UNC x 7 3/4", 6 11/16"CC	2	
33	JAM4567	Spacer Pipe	2	
34	JBM3497	Pin, 1 3/4" Dia. x 14 3/4"	2	
35	JAM6181	Wing Rest and Latch Weldment	2	

### Wing Gauge Wheel Components

Please visit [www.unverferth.com/parts/](http://www.unverferth.com/parts/) for the most current parts listing.



**NOTE: JAAM2800**  
(With tapered wheel nuts) and **295/75R22.5** gauge wheel tires. Do not use hub cap strap (JAM4597) with tapered wheel nuts.



**NOTE: JAAM2800-1**  
(With flange locknuts) and hub cap strap (JAM4597) are used only with **385/65R22.5F** & **TL12.4B38G** tires.

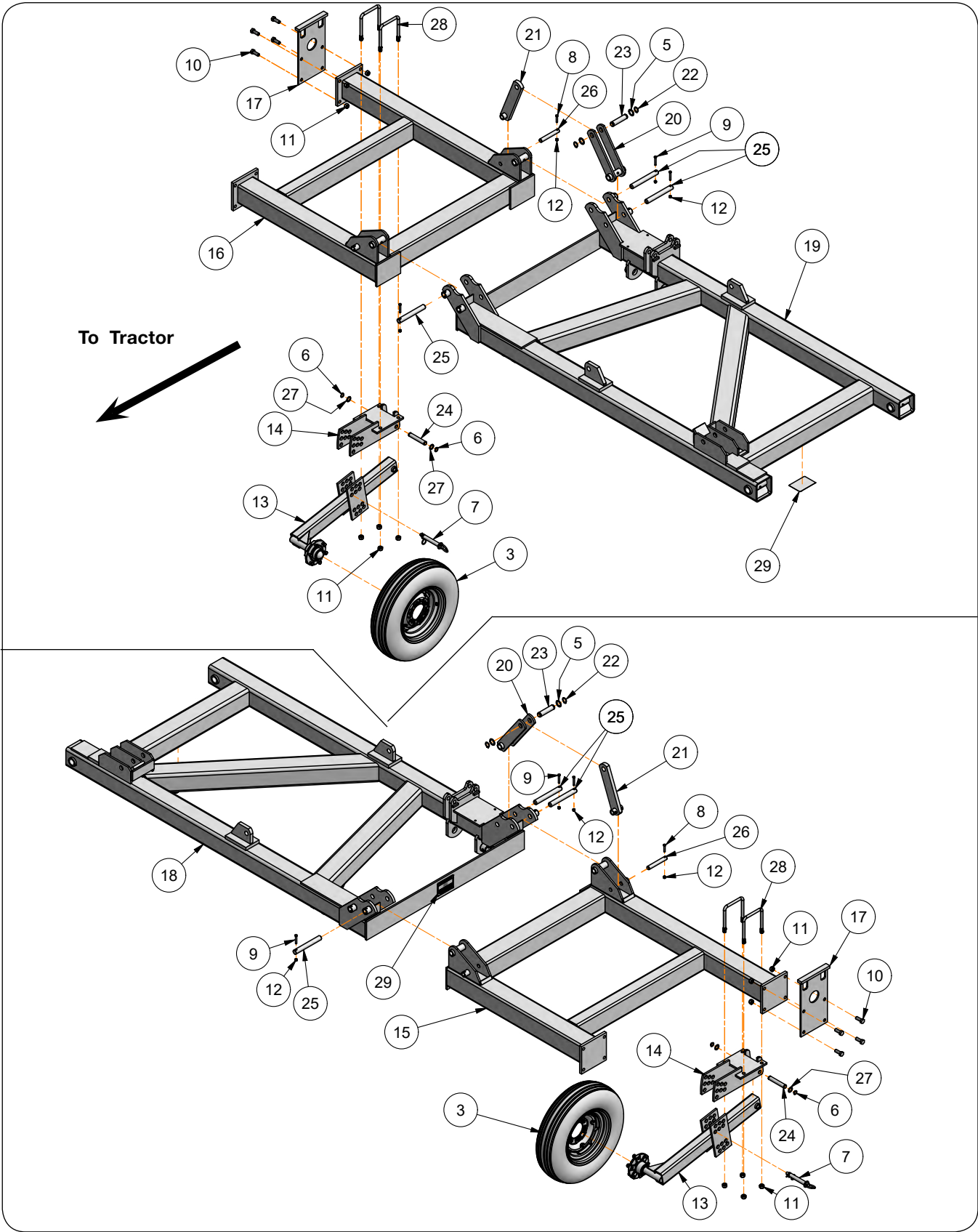
## Wing Gauge Wheel Components

Please visit [www.unverferth.com/parts/](http://www.unverferth.com/parts/) for the most current parts listing.

ITEM	PART NUMBER	DESCRIPTION	QTY	NOTES
1	JAAM2800	Hub and Spindle Assembly For 295/75R22.5 Tires	4	Refer to Hub & Spindle Components Parts Pages
2	9610	Wheel Nut, 5/8"-18UNF	32	
3	111275SM	Wheel & Tire Assembly 8.25 x 22.5/10.6 x 22.5	4	Includes Valve Stem, Tire & Wheel
	9817	Valve Stem	1	
	N/A	Tire 295/75R22.5F 151D I-1	1	
	W8.2522.5-8	Wheel 8.25 x 22.5	1	
4	JAAM2800-1	Hub and Spindle Assembly For 385/65R22.5 Tires	4	Refer to Hub & Spindle Components Parts Pages
5	9002237	Flange Nut, 5/8"-18UNF G8	32	
6	JAM4597	Hub Cap Strap	4	
7	111274SM	Wheel & Tire Assembly 11.75 x 22.5/65 x 22.5	4	Includes Valve Stem, Tire & Wheel
	93300	Valve Stem	1	
	N/A	Tire 385/65R22.5F 163D I-1	1	
	111146SM	Wheel 11.75 x 22.5	1	

### Secondary 5'8" Wing Components

Please visit [www.unverferth.com/parts/](http://www.unverferth.com/parts/) for the most current parts listing.



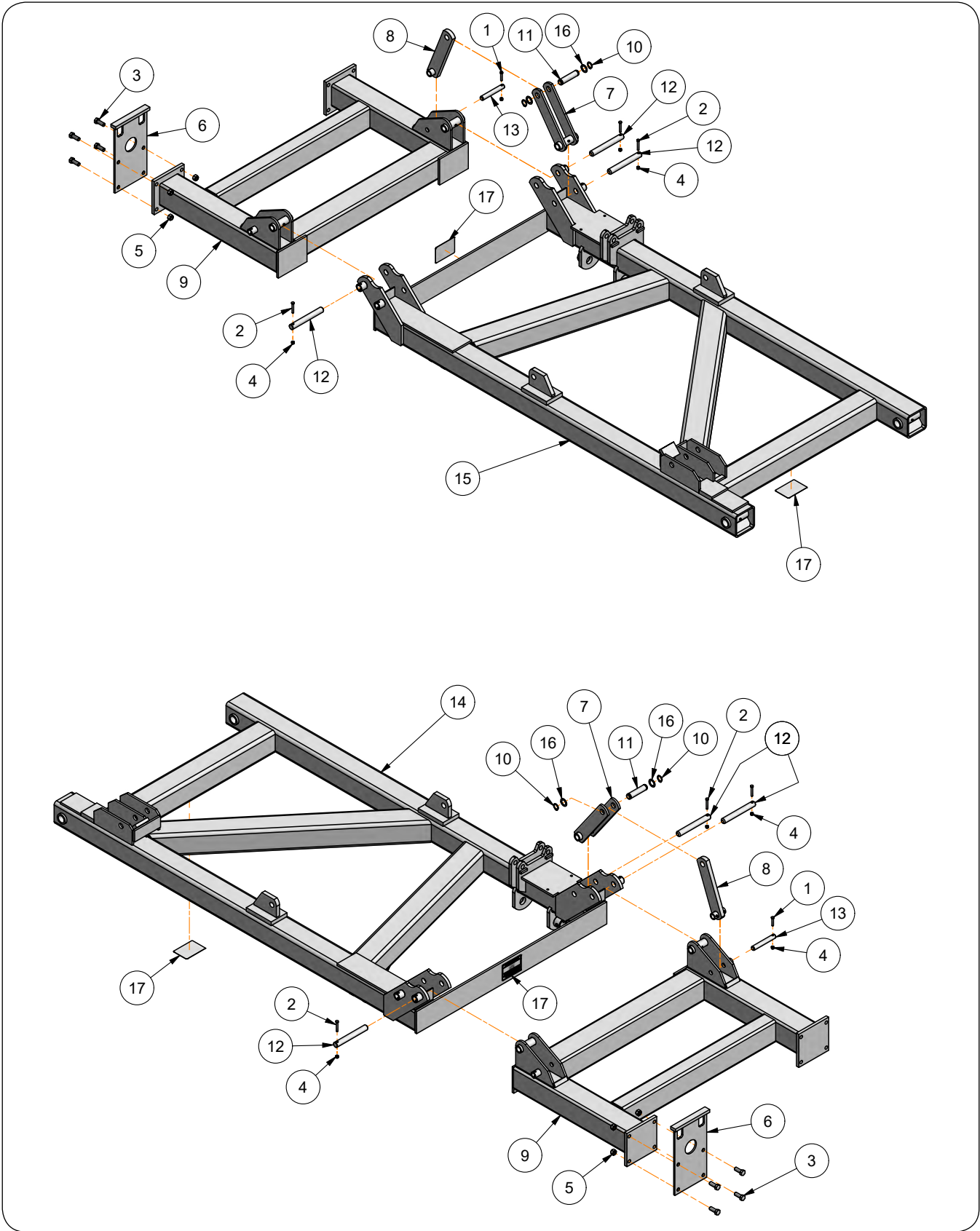
## Secondary 5'8" Wing Components

Please visit [www.unverferth.com/parts/](http://www.unverferth.com/parts/) for the most current parts listing.

ITEM	PART NUMBER	DESCRIPTION	QTY	NOTES	
1	81145SM	Mounted Tire & Wheel	2	Includes Items 2, 3, 4	
	2	W615-6SM	6 x 15 Implement Wheel	1	Not Shown
	3	91289	Tire TL7.6B15 8-Ply	1	Not Shown
	4	9002500	Valve Stem	1	Not Shown
5	91174	Machinery Bushing, 1 7/8" OD x 1 1/4" ID x 14GA	4		
6	91192	Retaining Ring, 1"	4		
7	93950	Hitch Pin 1" Dia. x 8" w/Hairpin	2		
8	9390-059	Capscrew, 3/8"-16UNC x 2" G5	2		
9	9390-061	Capscrew, 3/8"-16UNC x 2 1/2" G5	6		
10	9390-145	Capscrew, 3/4"-10UNC x 2" G5	8		
11	9802	Lock Nut, 3/4"-10UNC	16		
12	9398-012	Elastic Lock Nut, 3/8"-16UNC	8		
13	JAM24024	Pin Adjust Gauge Wheel Leg Assembly	2		
14	JAM24025	Pin Adjust Gauge Wheel Mounting Bracket	2		
15	JAM4551BB	Secondary Wing, LH, 5'8"	1		
16	JAM4552BB	Secondary Wing, RH, 5'8"	1		
17	JAM4565	Rest Weldment	2		
18	JAM6187BB	Primary Wing, LH	1		
19	JAM6188BB	Primary Wing, RH	1		
20	JAM6189	Secondary Wing Linkage Weldment	2		
21	JAM6197	Wing Fold Linkage Weldment	2		
22	JAP2711	Snap Ring 1 1/4", External Heavy-Duty Retaining Ring	4		
23	JBM3548	Pin, 1 1/4" Dia. x 4 3/4"	2		
24	JBM3650	Pin, 1" Dia. x 5 9/16"	2		
25	JBM3816	Pin, 1 1/4" Dia. x 9 13/16"	6		
26	JBM3817	Pin, 1" Dia. x 6 7/8"	2		
27	JBP3215	Machinery Bushing, 1 1/2" OD x 1" ID x 14GA	4		
28	JBP3350	U-Bolt, 3/4"-10UNC x 6"W x 7 11/16"L	4		
29	97337	Decal, WARNING (Wings)	4		

### Secondary 3'2" Wing Components

Please visit [www.unverferth.com/parts/](http://www.unverferth.com/parts/) for the most current parts listing.





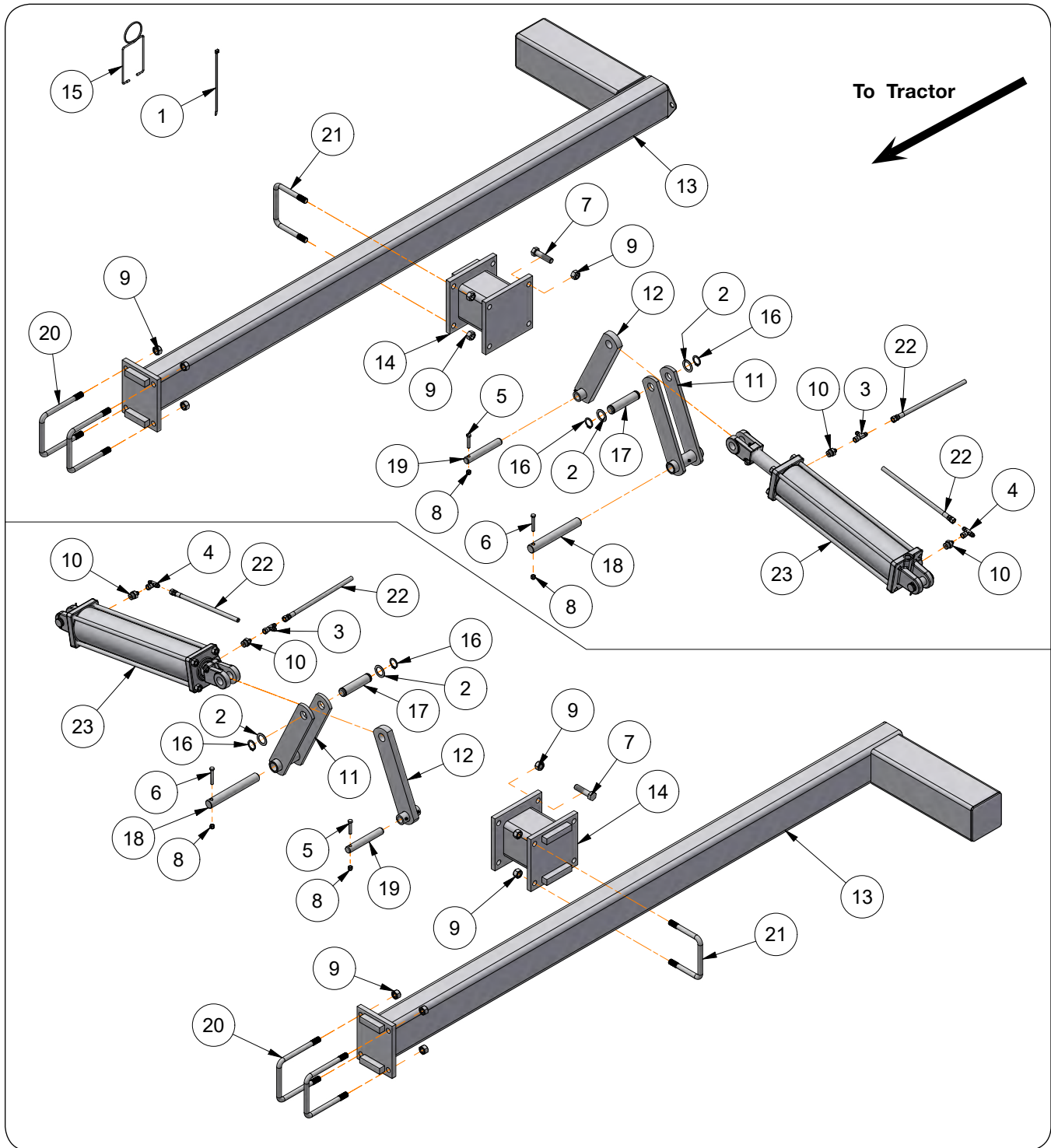
## Secondary 3'2" Wing Components

Please visit [www.unverferth.com/parts/](http://www.unverferth.com/parts/) for the most current parts listing.

ITEM	PART NUMBER	DESCRIPTION	QTY	NOTES
1	9390-059	Capscrew, 3/8"-16UNC x 2" G5	2	
2	9390-061	Capscrew, 3/8"-16UNC x 2 1/2" G5	6	
3	9390-145	Capscrew, 3/4"-10UNC x 2" G5	8	
4	9398-012	Elastic Lock Nut, 3/8"-16UNC	8	
5	9802	Lock Nut, 3/4"-10UNC	8	
6	JAM4565	Rest Weldment	2	
7	JAM6189	Secondary Wing Linkage Weldment	2	
8	JAM6197	Wing Fold Linkage Weldment	2	
9	JAM6225BB	Secondary Wing, 3'2"	2	
10	JAP2711	Snap Ring 1 1/4", External Heavy-Duty Retaining Ring	4	
11	JBM3548	Pin, 1 1/4" Dia. x 4 3/4"	2	
12	JBM3816	Pin, 1 1/4" Dia. x 9 13/16"	6	
13	JBM3817	Pin, 1" Dia. x 6 7/8"	2	
14	JAM6187BB	Primary Wing, LH	1	
15	JAM6188BB	Primary Wing, RH	1	
16	91174	Machinery Bushing, 1 7/8" OD x 1 1/4" ID x 14GA	4	
17	97337	Decal, WARNING (Wings)	4	

### Secondary Wing Extension For 20 Row 30" Spacing Units

Please visit [www.unverferth.com/parts/](http://www.unverferth.com/parts/) for the most current parts listing.



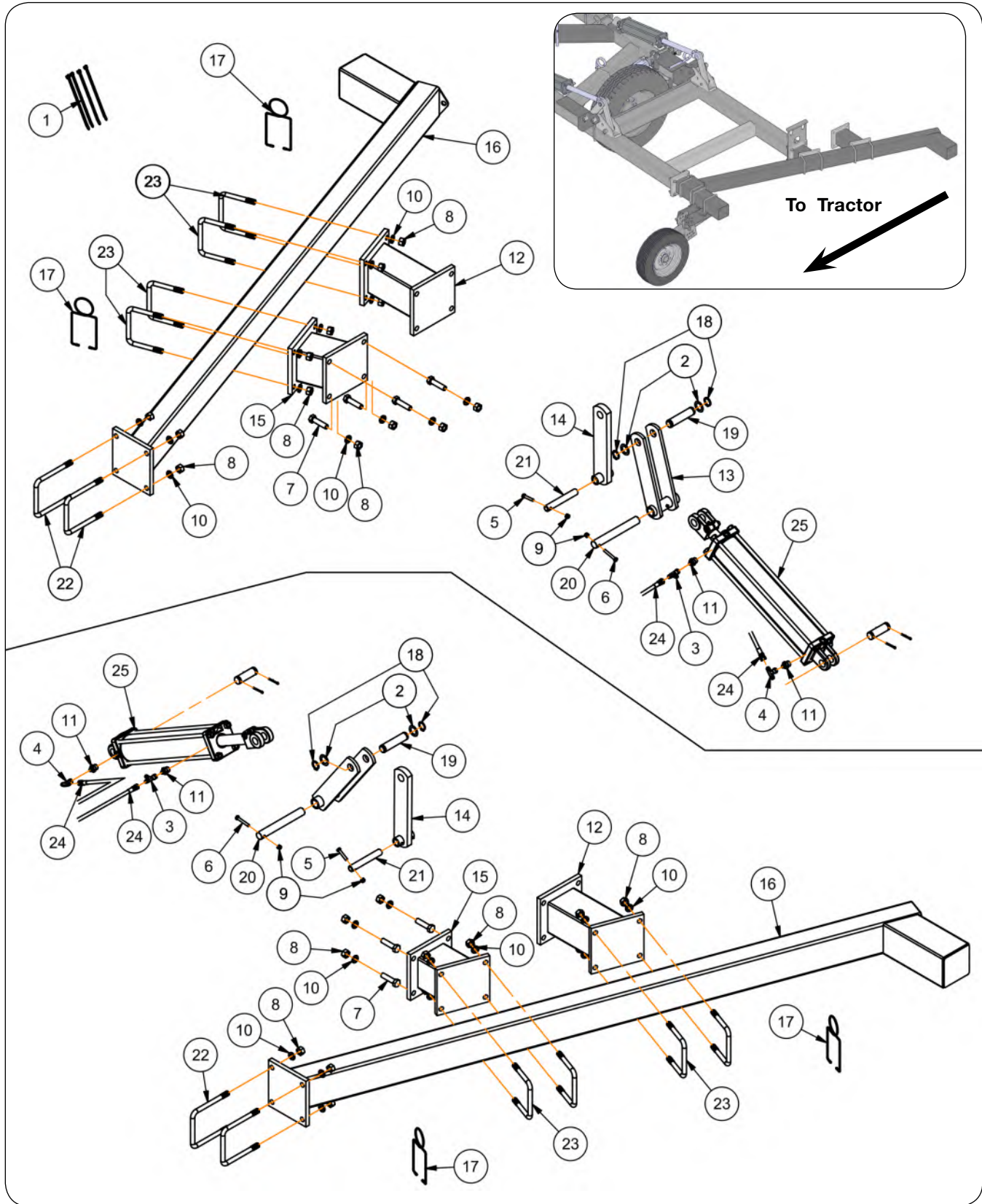
## Secondary Wing Extension For 20 Row 30" Spacing Units

Please visit [www.unverferth.com/parts/](http://www.unverferth.com/parts/) for the most current parts listing.

ITEM	PART NUMBER	DESCRIPTION	QTY	NOTES
	J66000131BB	Secondary Wing Extension =BLUE=	-	Includes Items 1-23
1	9003735	Cable Tie 11 x 0.30	4	
2	91174	Machinery Bushing, 1 7/8" OD x 1 1/4" ID x 14GA	4	
3	91465	Tee 9/16-18 JIC Male x 9/16-18 JIC Female x 9/16-18 JIC Male	2	
4	91525	Tee 9/16-18 JIC Male x 9/16-18 JIC Male x 9/16-18 JIC Female	2	
5	9390-059	Capscrew, 3/8"-16UNC x 2" G5	2	
6	9390-061	Capscrew, 3/8"-16UNC x 2 1/2" G5	2	
7	9390-149	Capscrew, 3/4"-10UNC x 3" G5	8	
8	9398-012	Elastic Lock Nut, 3/8"-16UNC	4	
9	9802	Lock Nut, 3/4"-10UNC	24	
10	98078	Adapter 9/16-18 JIC Male x 7/8-14 O-Ring Male	4	
11	JAM6189	Secondary Wing Linkage Weldment	2	
12	JAM6197	Wing Fold Linkage Weldment	2	
13	JAM6228BB	Offset Stagger Bracket Weldment =BLUE=	2	
14	JAM6229BB	Spacer Bracket, 7 15/16" =BLUE=	2	
15	JAP2282-1	Hose Retainer (4x6)	4	
16	JAP2711	Snap Ring 1 1/4", External Heavy-Duty Retaining Ring	4	
17	JBM3548	Pin, 1 1/4" Dia. x 4 3/4"	2	
18	JBM3816	Pin, 1 1/4" Dia. x 9 13/16"	2	
19	JBM3817	Pin, 1" Dia. x 6 7/8"	2	
20	JBP3350	U-Bolt, 3/4"-10UNC x 6"W x 7 11/16"L	4	
21	JBP3352	U-Bolt, 3/4"-10UNC x 6"W x 5 11/16"L	4	
22	JDP5055	Hose, 1/4" x 66" (9/16-18 JIC Female x 9/16-18 JIC Female)	4	
23	JDP4579	Cylinder, 4 1/2" x 20"	2	

### Secondary Wing Extension For 21 Row 30" Spacing Units

Please visit [www.unverferth.com/parts/](http://www.unverferth.com/parts/) for the most current parts listing.



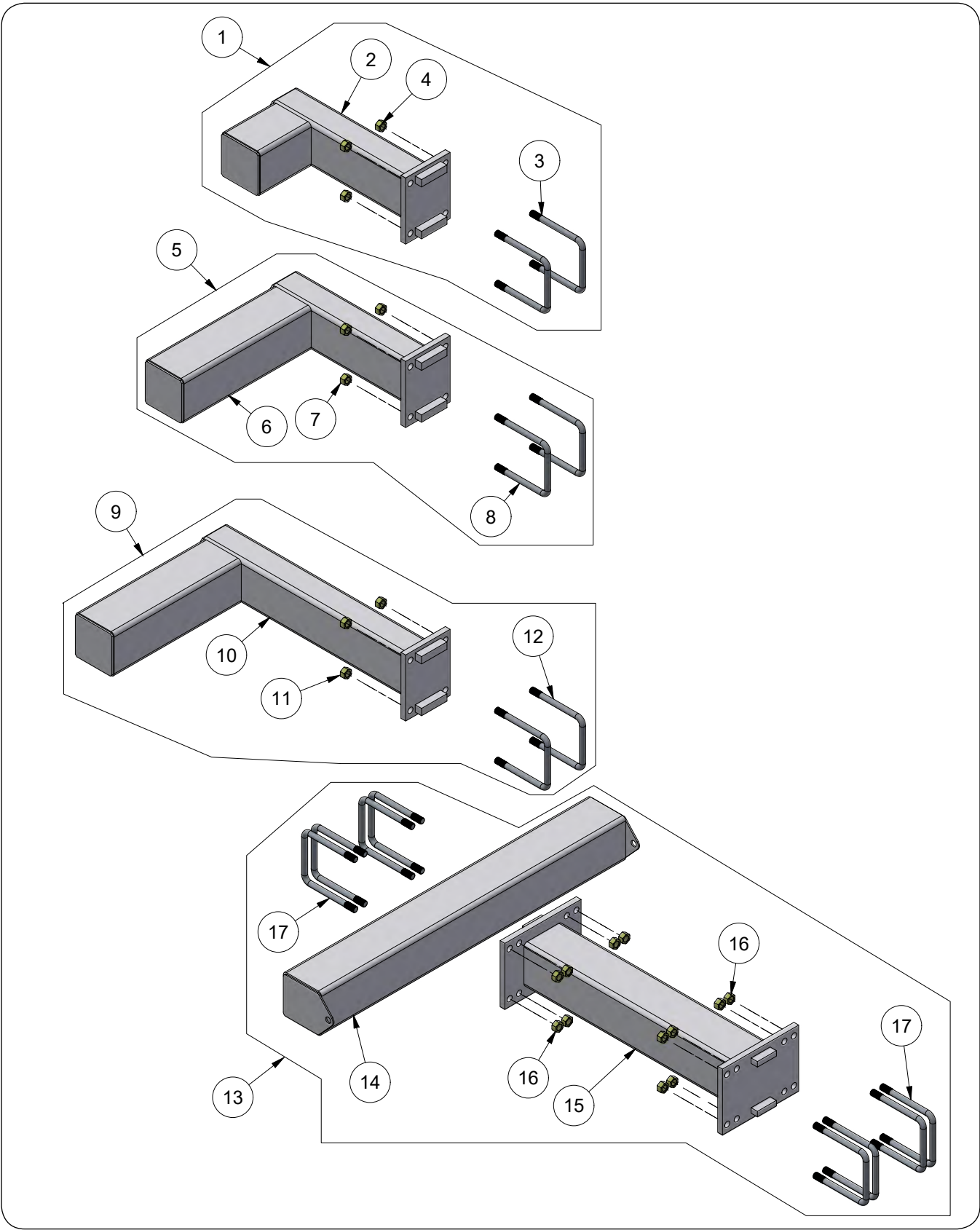
## Secondary Wing Extension For 21 Row 30" Spacing Units

Please visit [www.unverferth.com/parts/](http://www.unverferth.com/parts/) for the most current parts listing.

ITEM	PART NUMBER	DESCRIPTION	QTY	NOTES
1	9003735	Cable Tie 11 x 0.30	4	
2	91174	Machinery Bushing, 1 7/8" OD x 1 1/4" ID x 14GA	4	
3	91465	Tee 9/16-18 JIC Male x 9/16-18 JIC Female x 9/16-18 JIC Male	2	
4	91525	Tee 9/16-18 JIC Male x 9/16-18 JIC Male x 9/16-18 JIC Female	2	
5	9390-059	Capscrew, 3/8"-16UNC x 2" G5	2	
6	9390-061	Capscrew, 3/8"-16UNC x 2 1/2" G5	2	
7	9390-149	Capscrew, 3/4"-10UNC x 3" G5	8	
8	9394-016	Hex Nut, 3/4"-10UNC	32	
9	9398-012	Elastic Lock Nut, 3/8"-16UNC	4	
10	9404-033	Lock Washer, 3/4"	32	
11	98078	Adapter 9/16-18 JIC Male x 7/8-14 O-Ring Male	4	
12	JAM4547BB	Spacer Bracket, 13 1/2"	2	
13	JAM6189	Secondary Wing Linkage Weldment	2	
14	JAM6197	Wing Fold Linkage Weldment	2	
15	JAM6203BB	Spacer Bracket, 8"	2	
16	JAM6204BB	Angled Stagger Bracket	2	
17	JAP2282-1	Hose Retainer (4x6)	4	
18	JAP2711	Snap Ring 1 1/4", External Heavy-Duty Retaining Ring	4	
19	JBM3548	Pin, 1 1/4" Dia. x 4 3/4"	2	
20	JBM3816	Pin, 1 1/4" Dia. x 9 13/16"	2	
21	JBM3817	Pin, 1" Dia. x 6 7/8"	2	
22	JBP3350	U-Bolt, 3/4"-10UNC x 6"W x 7 11/16"L	4	
23	JBP3352	U-Bolt, 3/4"-10UNC x 6"W x 5 11/16"L	8	
24	JDP5055	Hose, 1/4" x 66" (9/16-18 JIC Female x 9/16-18 JIC Female)	4	
25	JDP4579	Cylinder, 4 1/2" x 20" w/Pins & Cotter Pins	2	

### Offset Stagger Bracket & Bracket Extension Components

Please visit [www.unverferth.com/parts/](http://www.unverferth.com/parts/) for the most current parts listing.



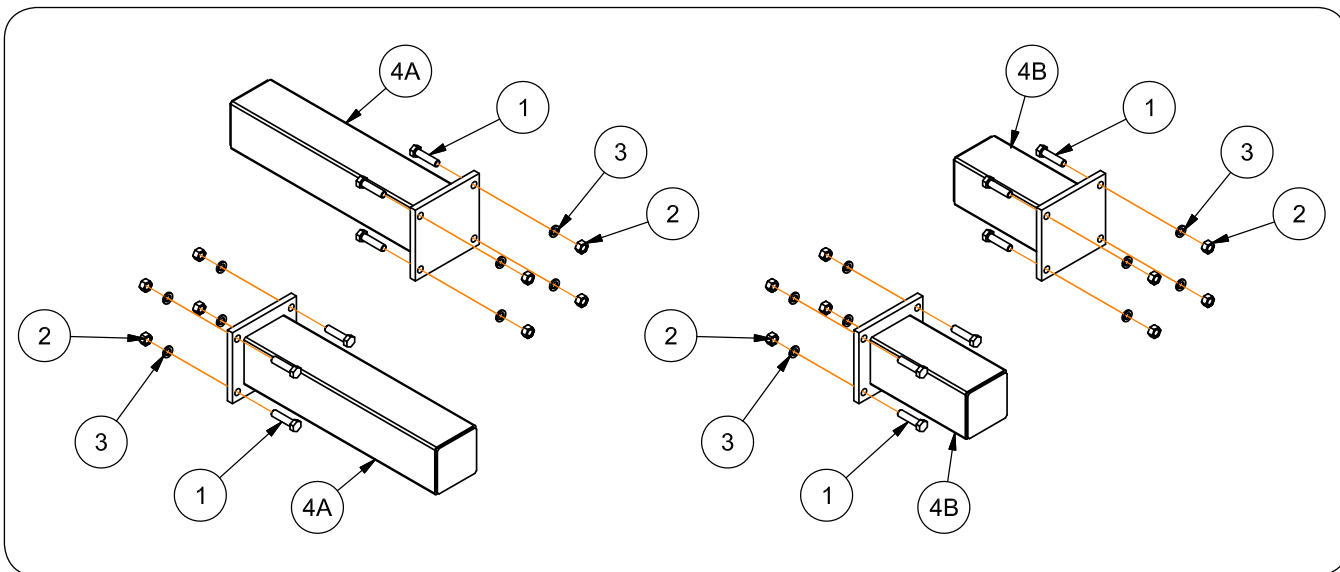
## Offset Stagger Bracket & Bracket Extension Components

Please visit [www.unverferth.com/parts/](http://www.unverferth.com/parts/) for the most current parts listing.

ITEM	PART NUMBER	DESCRIPTION	QTY	NOTES
1	JAAM2141BB	Offset Stagger Bracket w/Hdw 22" x 8", 6" x 6" Mounting	1	Includes Items 2-4
2	JAM4510BB	Offset Stagger Bracket Weldment 22" x 8"	1	
3	JBP3350	U-Bolt, 3/4"-10UNC x 6"W x 7 11/16"L	2	
4	9802	Lock Nut, 3/4"-10UNC	4	
5	JAAM2123BB	Offset Stagger Bracket w/Hdw 22" x 20", 6" x 6" Mounting	1	Includes Items 6-8
6	JAM4545BB	Offset Stagger Bracket Weldment 22" x 20"	1	
7	9802	Lock Nut, 3/4"-10UNC	4	
8	JBP3350	U-Bolt, 3/4"-10UNC x 6"W x 7 11/16"L	2	
9	JAAM2122BB	Offset Stagger Bracket w/Hdw 33" x 20", 6" x 6" Mounting	1	Includes Items 10-12
10	JAM4509BB	Offset Stagger Bracket Weldment 33" x 20"	1	
11	9802	Lock Nut, 3/4"-10UNC	4	
12	JBP3350	U-Bolt, 3/4"-10UNC x 6"W x 7 11/16"L	2	
13	JAAM2125BB	Extension Double Bracket w/Hdw 40" x 48", 6" x 6" Mounting	1	Includes Items 14-17
14	JAM6160BB	Tube Weldment 48"	1	
15	JAM6161BB	Bracket Extension 35", Double Mounting	1	
16	9802	Lock Nut, 3/4"-10UNC	16	
17	JBP3350	U-Bolt, 3/4"-10UNC x 6"W x 7 11/16"L	8	

**Straight Extension Kit**

Please visit [www.unverferth.com/parts/](http://www.unverferth.com/parts/) for the most current parts listing.

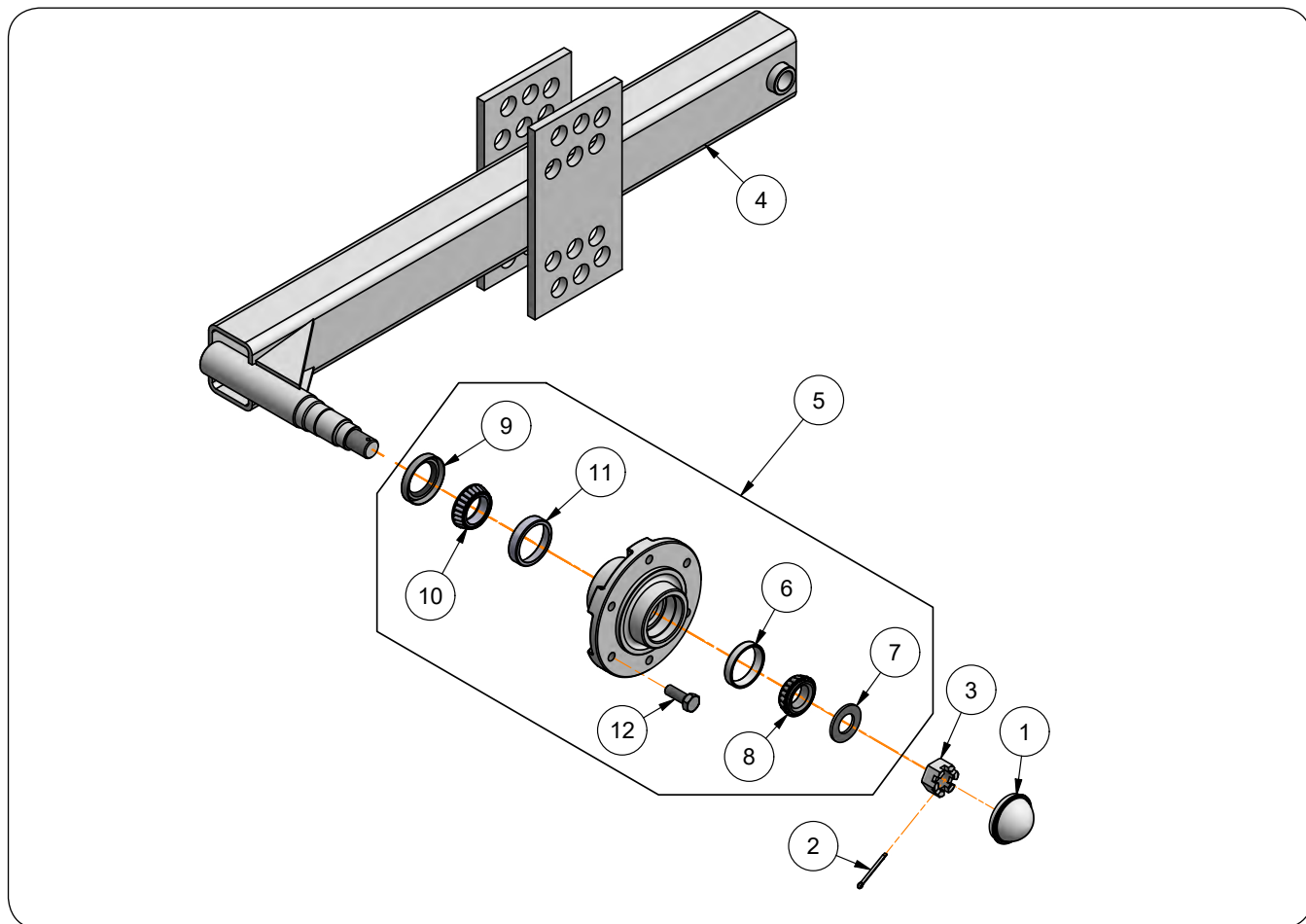


ITEM	PART NUMBER	DESCRIPTION	QTY	NOTES
	J55000106BB	Straight Extension Kit 28" Bundle	-	Includes Items 1-4A
	J55000107	Straight Extension Kit 14" Bundle	-	Includes Items 1-4B
1	9390-149	Capscrew, 3/4"-10UNC x 3" G5	8	
2	9394-016	Hex Nut, 3/4"-10UNC	8	
3	9404-033	Lock Washer, 3/4"	8	
4A	JAM4544BB	Extension Bracket 28"	2	
4B	JAM4546	Extension Bracket 14"	2	



## Pin Adjust Gauge Wheel Leg Assembly (JAM24024)

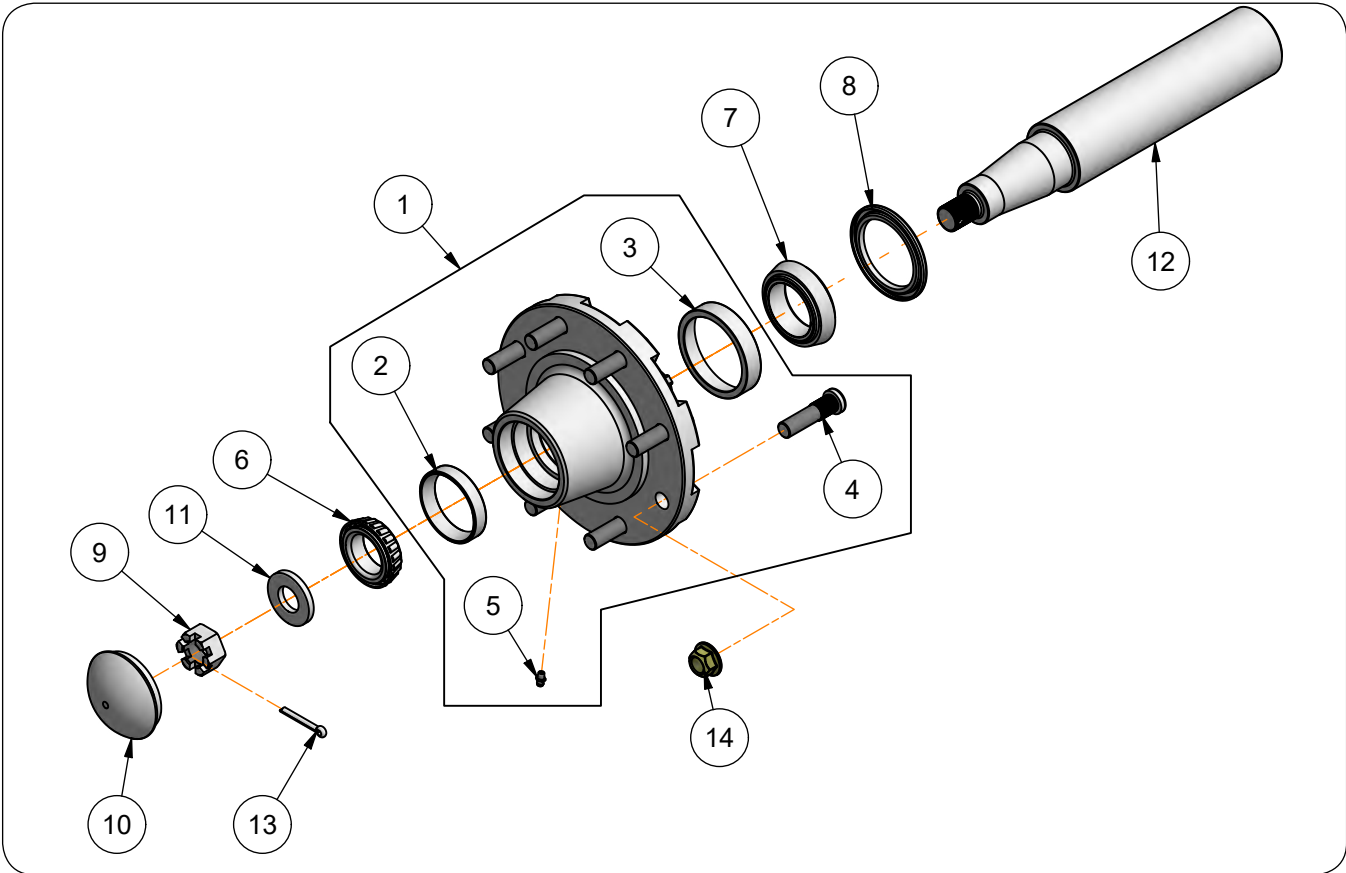
Please visit [www.unverferth.com/parts/](http://www.unverferth.com/parts/) for the most current parts listing.



ITEM	PART NUMBER	DESCRIPTION	QTY
1	9162	Hub Cap	1
2	9391-036	Cotter Pin, 5/32" Dia. x 1 3/4"	1
3	9393-020	Slotted Nut, 1"-14UNS	1
4	JEM3700	Gauge Wheel Leg Weldment, Pin Adjust	1
5	9503448B	Hub 6-Bolt Assembly	1
6	9345	Bearing Cup, 2.328" Dia. (LM67010)	1
7	JAP2146	Spindle Washer, 2" O.D. x 1.063" I.D.	1
8	9165	Bearing Cone, 1.25" Bore (LM67048)	1
9	91833	Seal, 2.562" O.D. x 1.625" I.D. , Single Lip (CR16289)	1
10	91818	Bearing Cone, 1.496" Bore (JL69349)	1
11	91815	Bearing Cup, 2.48" Dia. (JL69310)	1
12	91831	Wheel Bolt, 1/2"-20UNF x 1 1/4" G5	6

**Hub and Spindle Components (JAAM2800-1)**

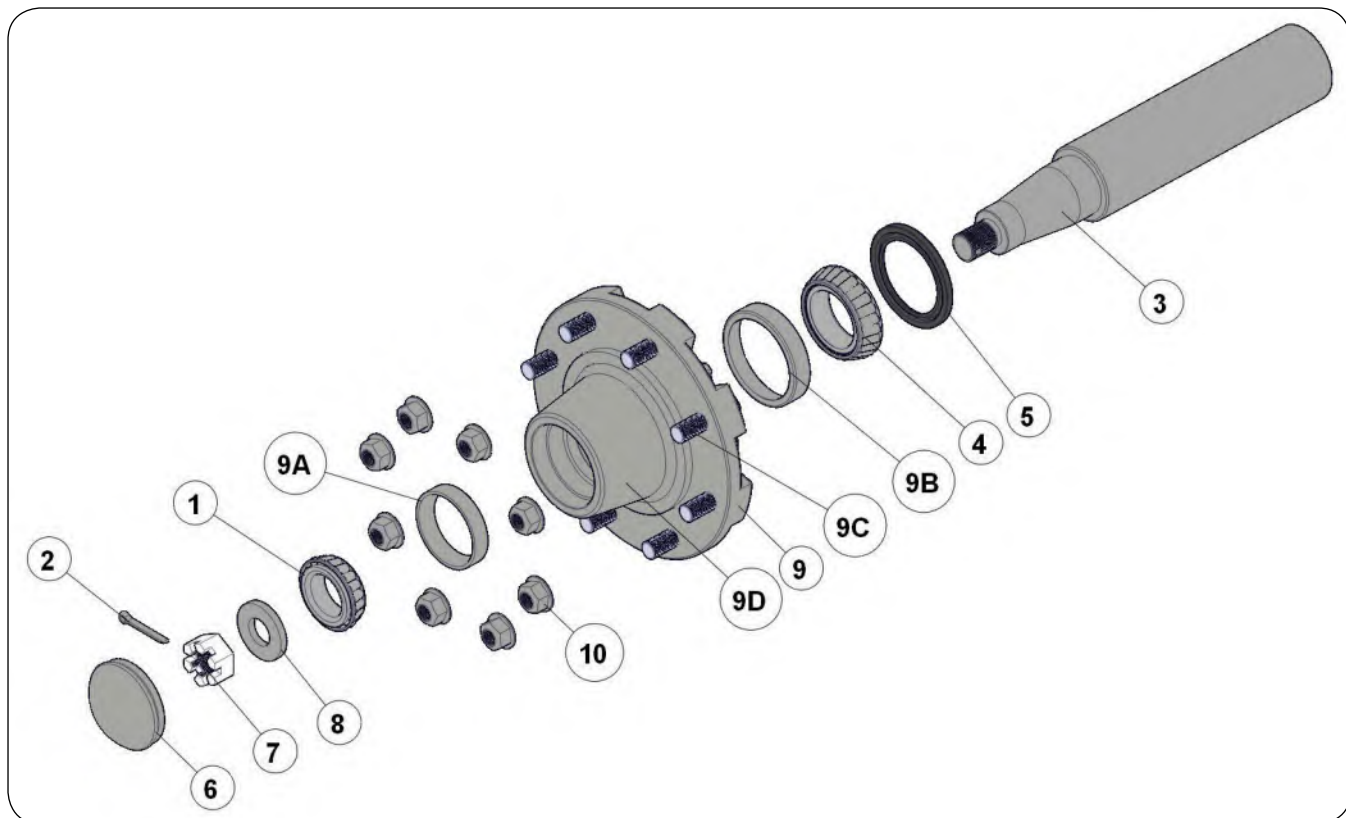
Please visit [www.unverferth.com/parts/](http://www.unverferth.com/parts/) for the most current parts listing.



ITEM	PART NUMBER	DESCRIPTION	QTY	NOTES
	JAAM2800-1	Hub & Spindle Assembly 8-Bolt (608) =Black=		Includes Items 1-13
1	91854	Hub 8-Bolt Subassembly w/Cups & Studs =Black=	1	Includes Items 2-5
2	9349	Bearing Cup, LM501310	1	
3	91809	Bearing Cup, JLM506810	1	
4	9000939	Stud Bolt, 5/8"-18UNF x 2 1/2" G5	8	For Non-Counterbored Hubs
	9007746	Stud Bolt, 5/8"-18UNF x 2 1/4" G5		For Counterbored Hubs
5	91160	Grease Zerk	1	
6	9247	Bearing Cone, LM501349	1	
7	92610	Bearing Cone, JLM506849	1	
8	92612	Grease Seal, CR27394	1	
9	9393-020	Slotted Nut, 1"-14UNS	1	
10	9442B	Hub Cap, 1609	1	
11	9448	Flat/Spindle Washer, 2.13 OD x 1.06" ID x .25	1	
12	JAP2171	Spindle, 2 3/4" Dia. x 16"	1	
13	TA37809	Cotter Pin, 7/32" Dia. x 1 3/4"	1	
14	9002237	Flange Nut, 5/8"-18UNF, G8	8	

**Hub and Spindle Components (JAAM2788-1)**

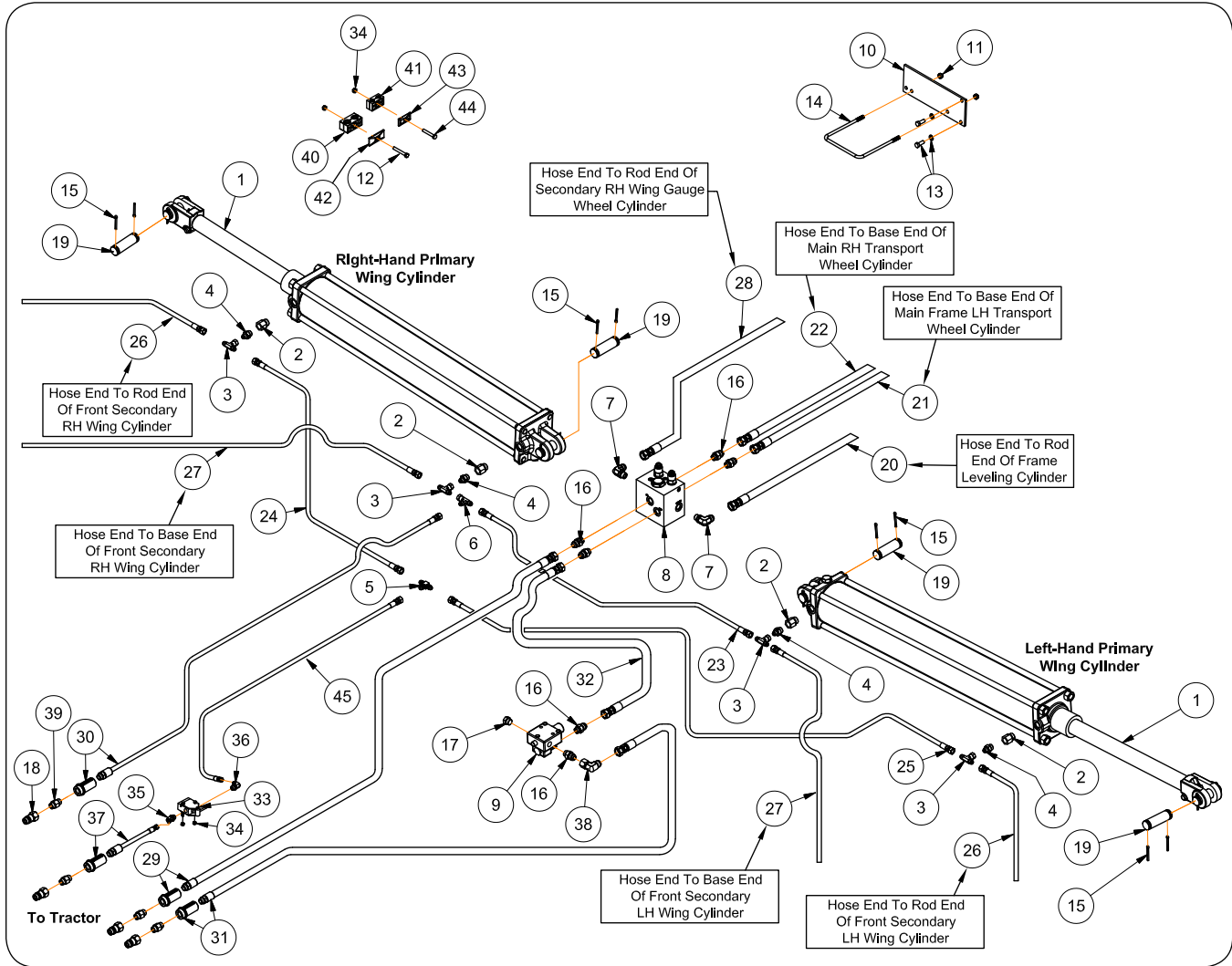
Please visit [www.unverferth.com/parts/](http://www.unverferth.com/parts/) for the most current parts listing.



ITEM	PART NUMBER	DESCRIPTION	QTY	NOTES
1	9247	Bearing Cone, 1.625" Bore (LM501349)	1	
2	TA37809	Cotter Pin, 7/32" Dia. x 1 3/4"	1	
3	9442B	Hub Cap, 3.125" Dia.	1	
4	9393-020	Slotted Nut, 1"-14UNS	1	
5	9448	Flat Washer, 1"	1	
6	9443	Bearing Cone, 2.25" ID (387AS)	1	
7	9445	Seal (29968)	1	
8	JAP2941	Spindle, 3" x 16"	1	
9	9441	Hub with Cups, 8-Bolt (107901)	1	Includes 9A, 9B, 9C, 9D
9A	9349	Bearing Cup, 2.891" OD (LM501310)	1	
9B	9612	Bearing Cup, 3.813" OD (382-A)	1	
9C	9223	Stud Bolt, 5/8"-18UNF x 2.75" G8	8	
9D	N/A	Hub, 8-Bolt	1	
10	9002237	Flange Nut, 5/8"-18UNF G8	8	

**Main Frame to Primary Wing Hydraulics**

Please visit [www.unverferth.com/parts/](http://www.unverferth.com/parts/) for the most current parts listing.



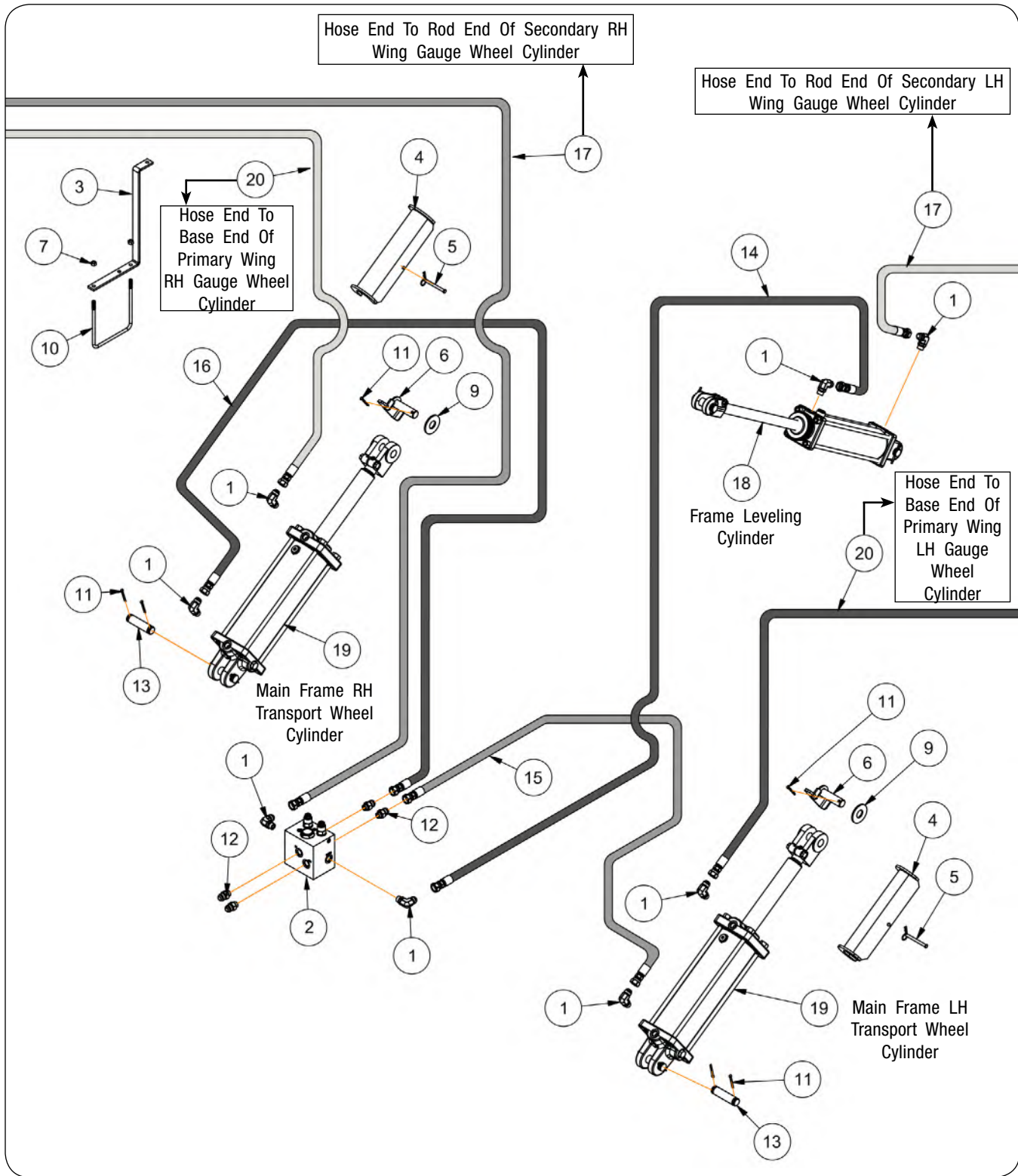
## Main Frame to Primary Wing Hydraulics

Please visit [www.unverferth.com/parts/](http://www.unverferth.com/parts/) for the most current parts listing.

ITEM	PART NUMBER	DESCRIPTION	QTY	NOTES
1	JDP4398-1	Cylinder 5" x 36" w/2 3/4" Spacer	2	
2	98801	Reducer 7/8-14 O-Ring Male x 3/4-16 O-Ring Female	4	
3	91525	Tee 9/16-18 JIC Male x 9/16-18 JIC Male x 9/16-18 JIC Female	4	
4	99611	Adapter 9/16-18 JIC Male x 3/4-16 O-Ring Male w/0.90 Restrictor	4	
5	9875	Tee 9/16-18 JIC Male x 9/16-18 JIC Male x 9/16-18 JIC Male	1	
6	91465	Tee 9/16-18 JIC Male x 9/16-18 JIC Female x 9/16-18 JIC Male	1	
7	98201	90° Elbow 7/8-14 JIC Male x 3/4-16 O-Ring Male	2	
8	JDP4590	Valve Assembly - Flow Divider with Holding Valves	1	
9	9504712	Remote Stroke Control Valve	1	
10	JAM6159	Flow Divider Valve Mount Bracket	1	
11	9928	Locknut/Top, 3/8"-16UNC	2	
12	9390-035	Capscrew, 5/16"-18UNC x 2 1/4" G5	2	
13	9390-055	Capscrew, 3/8"-16UNC x 1" G5	2	
	9404-021	Lock Washer, 3/8"	2	
14	JBP3351	U-Bolt, 3/8"-16UNC x 7", 6 7/16CC	1	
15	9391-045	Cotter Pin, 3/16" Dia. x 1 3/4"	8	
16	9503026	Adapter, 7/8-14 JIC Male x 3/4-16 O-Ring Male	6	
17	93657	Plug, 3/4-16 O-Ring Male Hex Head	1	
18	91383	Male Tip Coupling, 3/4-16 O-Ring Female	4	
19	JBP3498	Clevis Pin, 1 1/4" Dia. x 3 3/16"	4	
20	JDP4496	Hydraulic Hose, 1/2" x 114" (7/8-14 JIC Female x 7/8-14 JIC Female)	1	
21	JDP5001	Hydraulic Hose, 1/2" x 168" (7/8-14 JIC Female x 7/8-14 JIC Female)	1	
22	JDP5186	Hydraulic Hose, 1/2" x 132" (7/8-14 JIC Female x 7/8-14 JIC Female)	1	
23	JDP5308	Hydraulic Hose, 3/8" x 32" (9/16-18 JIC Female x 9/16-18 JIC Female)	1	
24	JDP5309	Hydraulic Hose, 3/8" x 43" (9/16-18 JIC Female x 9/16-18 JIC Female)	1	
25	JDP5310	Hydraulic Hose, 3/8" x 77" (9/16-18 JIC Female x 9/16-18 JIC Female)	1	
26	JDP5315	Hydraulic Hose, 3/8" x 168" (9/16-18 JIC Female x 9/16-18 JIC Female)	2	
27	JDP5314	Hydraulic Hose, 3/8" x 152" (9/16-18 JIC Female x 9/16-18 JIC Female)	2	
28	JDP5235	Hydraulic Hose, 1/2" x 252" (7/8-14 JIC Female x 7/8-14 JIC Female)	1	
29	JDP5317	Hydraulic Hose, 1/2" x 240" (7/8-14 JIC Female x 3/4-16 O-Ring Male)	1	
	9009754	Hose Grip RED (+)	1	
30	9504312	Hydraulic Hose, 3/8" x 230" (9/16-18 JIC Female x 3/4-16 O-Ring Male)	1	
	9009751	Hose Grip GREEN (+)	1	
31	JDP5349	Hydraulic Hose, 1/2" x 264" (7/8-14 JIC Female x 3/4-16 O-Ring Male)	1	
	9009755	Hose Grip RED (-)	1	
32	JDP5230	Hydraulic Hose, 1/2" x 42" (7/8-14 JIC Female x 7/8-14 JIC Female)	1	
33	JDP3993	Hydraulic Check Valve w/Manual Release	1	
34	9807	Locknut/Top, 5/16"-18UNC	6	
35	91508	45° Elbow, 9/16-18 JIC Male x 3/4-16 O-Ring Male	1	
36	9874	90° Elbow, 9/16-18 JIC Male x 3/4-16 O-Ring Male	1	
37	9505001	Hydraulic Hose, 3/8" x 96" (9/16-18 JIC Female x 3/4-16 O-Ring Male)	1	
	9009752	Hose Grip GREEN (-)	1	
38	96559	90° Elbow, 7/8-14 JIC Male x 7/8-14 JIC Female	1	
39	98508	Adapter, 3/4-16 O-Ring Male x 3/4-16 O-Ring Male	4	
40	9004856	Clamp Double Hose (Pair), 0.87" Dia.	2	
41	9004367	Clamp Double Hose (Pair), 0.67" Dia.	2	
42	9004857	Hose Clamp Top Plate, Large	2	
43	9003814	Hose Clamp Top Plate, Small	2	
44	9390-034	Capscrew, 5/16"-18UNC x 2" G5	2	
45	JDP5311	Hydraulic Hose, 3/8" x 134" (9/16-18 JIC Female x 9/16-18 JIC Female)	1	

### Main Frame Transport Wheel & Frame Leveling Hydraulics

Please visit [www.unverferth.com/parts/](http://www.unverferth.com/parts/) for the most current parts listing.



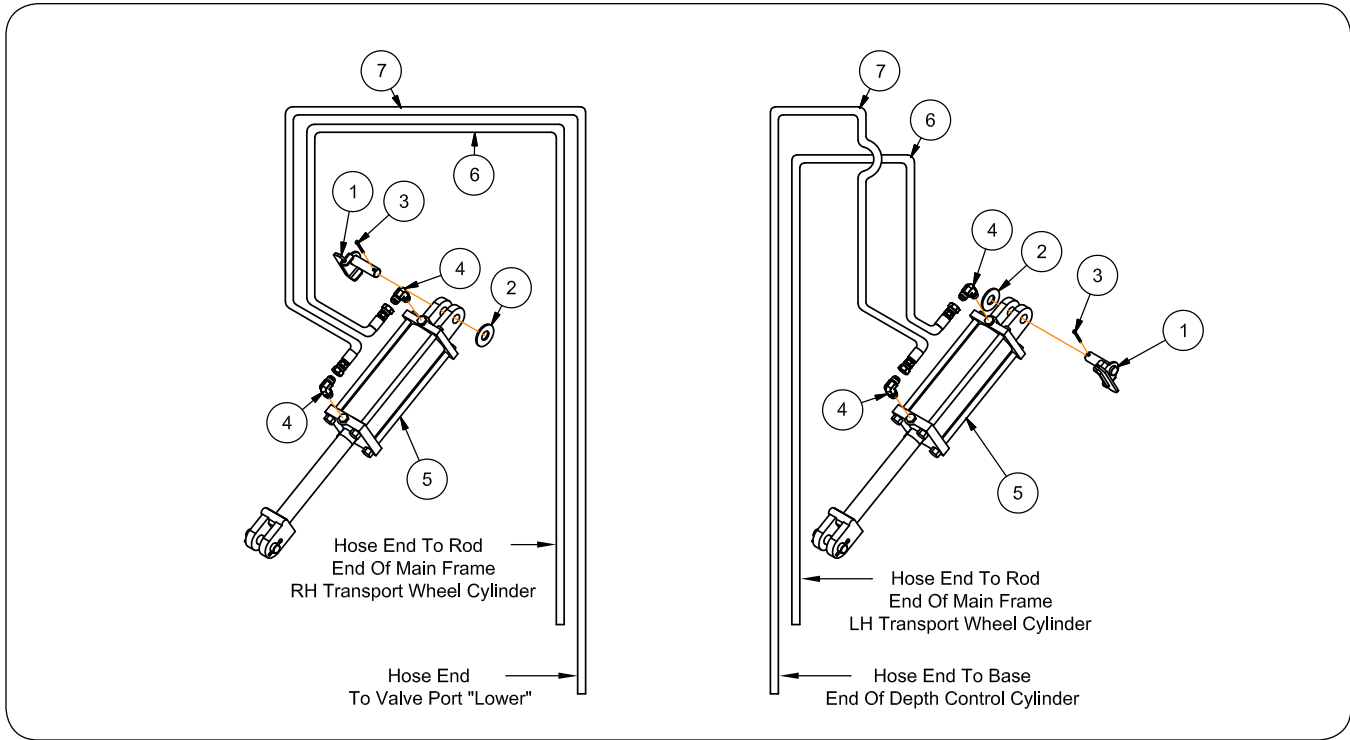
## Main Frame Transport Wheel & Depth Control Hydraulics

Please visit [www.unverferth.com/parts/](http://www.unverferth.com/parts/) for the most current parts listing.

ITEM	PART NUMBER	DESCRIPTION	QTY	NOTES
1	98201	90° Elbow 7/8-14 JIC Male x 3/4-16 O-Ring Male	13	
2	JDP4590	Valve Assembly - Flow Divider with Holding Valves	1	
3	JAM2090	Depth Collar & Lock-Up Storage Bracket	2	
4	JAM6280	Transport Lock	2	
5	9514	Hairpin Cotter 0.092" Dia. x 1 7/8"	2	
	9503240	Clevis Pin 5/16" Dia. x 3 1/2"	2	
6	JBM3559	Clevis Pin Weldment 1" Dia. x 3 7/8"	4	
7	9928	Locknut/Top, 3/8"-16UNC	4	
9	9405-118	Flat Washer, 1" USS	4	
10	JBP3351	U-Bolt, 3/8"-16UNC x 7", 6 7/16CC	3	
11	9391-045	Cotter Pin, 3/16" Dia. x 1 3/4"	4	
12	9503026	Adapter 7/8-14 JIC Male x 3/4-16 O-Ring Male	5	
13	JBP3497	Clevis Pin, 1" Dia. x 3 1/4"	2	
14	JDP4496	Hydraulic Hose, 1/2" x 114" (7/8-14 JIC Female x 7/8-14 JIC Female)	1	
15	JDP5001	Hydraulic Hose, 1/2" x 168" (7/8-14 JIC Female x 7/8-14 JIC Female)	1	
16	JDP5186	Hydraulic Hose, 1/2" x 132" (7/8-14 JIC Female x 7/8-14 JIC Female)	1	
17	JDP5235	Hydraulic Hose, 1/2" x 252" (7/8-14 JIC Female x 7/8-14 JIC Female)	2	
18	JDP4485	Rephase Cylinder, 3 3/4" x 12"	1	
19	JDP4487	Rephase Cylinder, 4 1/2" x 12"	2	
20	JDP5184	Hydraulic Hose, 1/2" x 192" (7/8-14 JIC Female x 7/8-14 JIC Female)	2	

**Wing Gauge Wheel Hydraulics**

Please visit [www.unverferth.com/parts/](http://www.unverferth.com/parts/) for the most current parts listing.

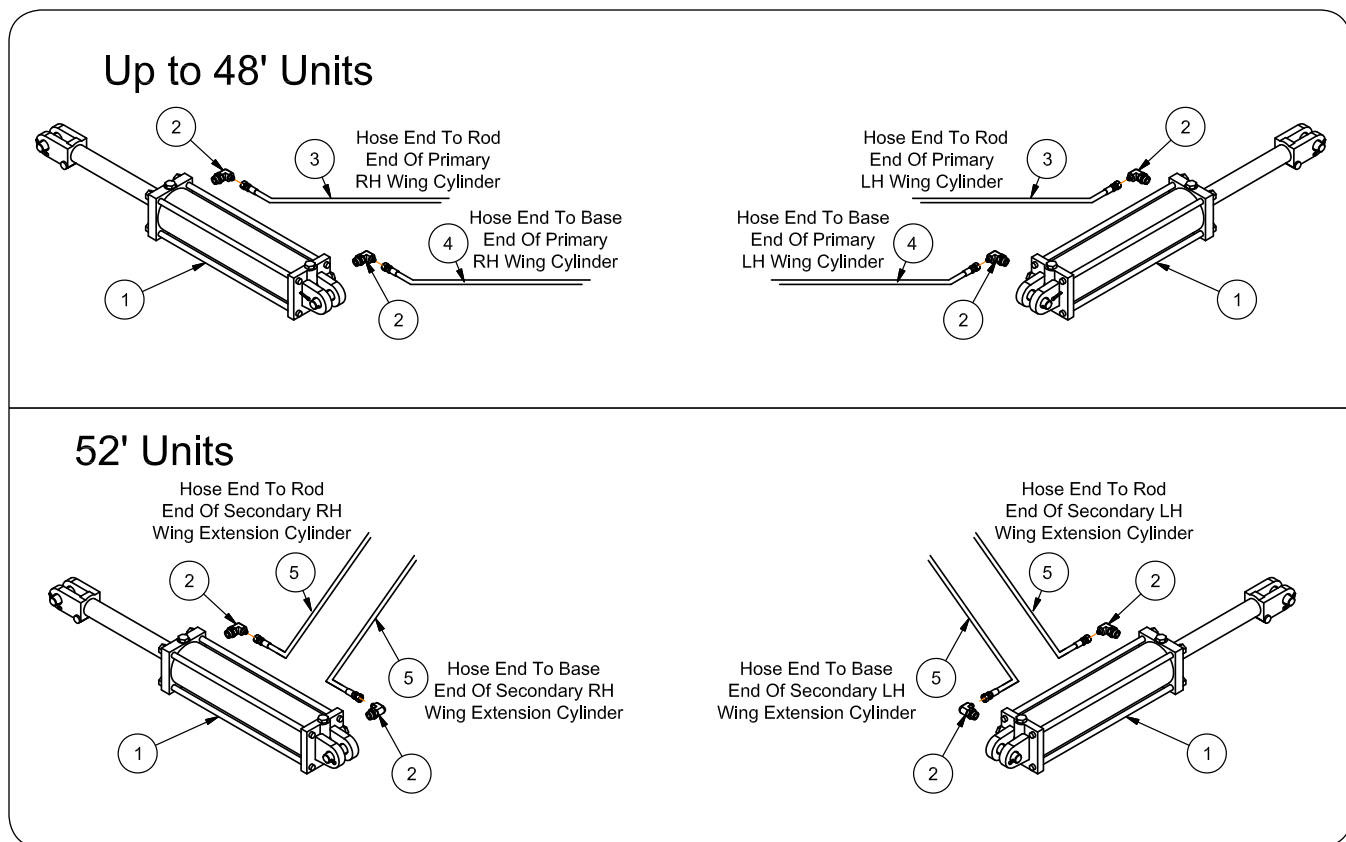


ITEM	PART NUMBER	DESCRIPTION	QTY	NOTES
1	JBM3559	Clevis Pin Weldment 1" Dia. x 3 7/8"	4	
2	9405-118	Flat Washer, 1" USS	4	
3	9391-045	Cotter Pin, 3/16" Dia. x 1 3/4"	4	
4	98201	90° Elbow 7/8-14 JIC Male x 3/4-16 O-Ring Male	13	
5	JDP4486	Rephase Cylinder, 4" x 12"	2	
6	JDP5184	Hydraulic Hose, 1/2" x 192" (7/8-14 JIC Female x 7/8-14 JIC Female)	2	
7	JDP5235	Hydraulic Hose, 1/2" x 252" (7/8-14 JIC Female x 7/8-14 JIC Female)	2	



**Primary Wing to Secondary Wing Hydraulics**

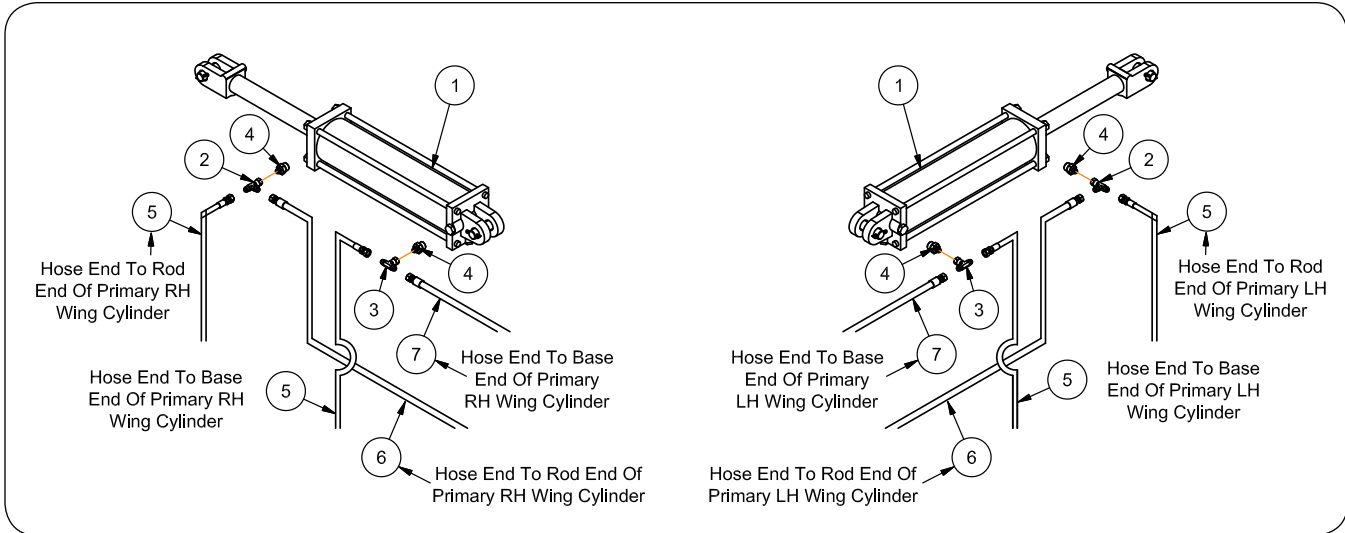
Please visit [www.unverferth.com/parts/](http://www.unverferth.com/parts/) for the most current parts listing.



ITEM	PART NUMBER	DESCRIPTION	QTY	NOTES
1	JDP4579	Cylinder 4 1/2" x 20"	2	
2	98079	90° Elbow 916-18 JIC Male x 7/8-14 O-Ring Male	4	
3	JDP5314	Hydraulic Hose, 3/8" x 152" (9/16-18 JIC Female x 9/16-18 JIC Female)	2	
4	JDP5315	Hydraulic Hose, 3/8" x 168" (9/16-18 JIC Female x 9/16-18 JIC Female)	2	
5	JDP5055	Hydraulic Hose, 1/4" x 66" (9/16-18 JIC Female x 9/16-18 JIC Female)	4	

**Secondary Wing Extension Hydraulics (52' Units ONLY)**

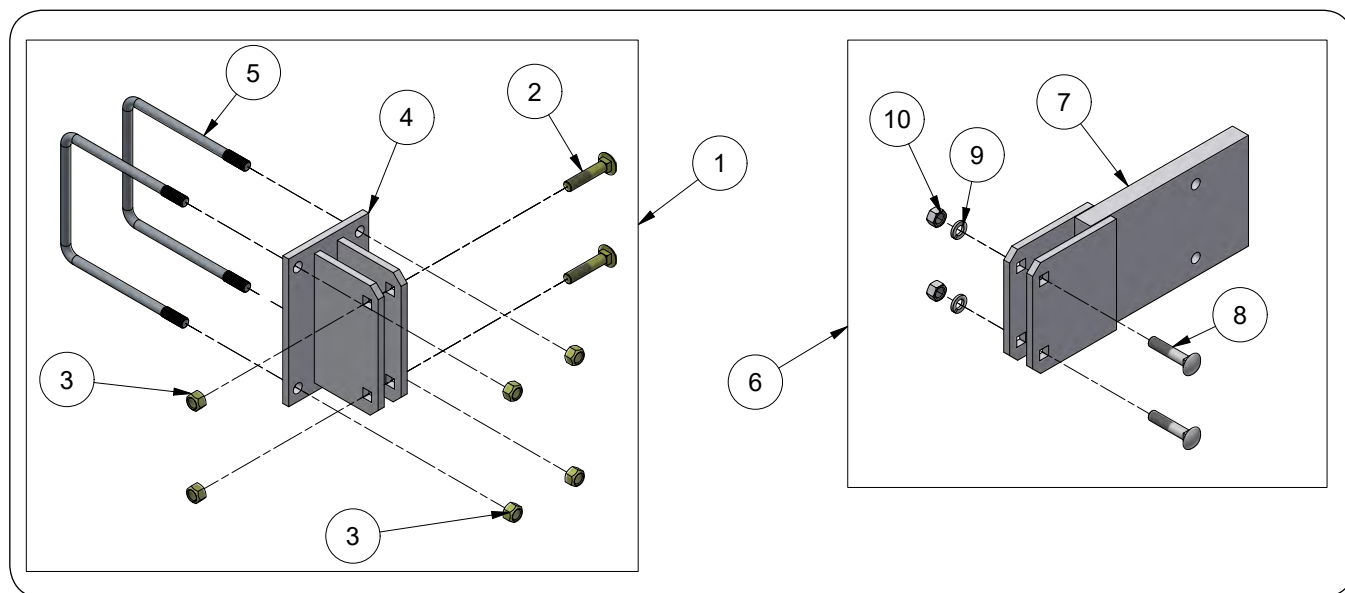
Please visit [www.unverferth.com/parts/](http://www.unverferth.com/parts/) for the most current parts listing.



ITEM	PART NUMBER	DESCRIPTION	QTY	NOTES
1	JDP4579	Cylinder 4 1/2" x 20"	2	
2	91465	Tee 9/16-18 JIC Male x 9/16-18 JIC Female x 9/16-18 JIC Male	3	
3	91525	Tee 9/16-18 JIC Male x 9/16-18 JIC Male x 9/16-18 JIC Female	6	
4	98078	Adapter 9/16-18 JIC Male x 7/8-14 O-Ring Male	4	
5	JDP5055	Hydraulic Hose, 1/4" x 66" (9/16-18 JIC Female x 9/16-18 JIC Female)	4	
6	JDP5314	Hydraulic Hose, 3/8" x 152" (9/16-18 JIC Female x 9/16-18 JIC Female)	2	
7	JDP5315	Hydraulic Hose, 3/8" x 168" (9/16-18 JIC Female x 9/16-18 JIC Female)	2	

### Horizontal Coulter Mounting Bracket Components

Please visit [www.unverferth.com/parts/](http://www.unverferth.com/parts/) for the most current parts listing.



ITEM	PART NUMBER	DESCRIPTION	QTY	NOTES
1	JAAM2428	Coulter Mounting Bracket Assembly	-	Includes Items 1-4
2	9388-108	Carriage Bolt, 1/2"-13UNC x 2 1/2" G5	2	
3	9800	Locknut/Top, 1/2"-13UNC	6	
4	JAM4780	Flatback Coulter Mounting Bracket	1	
5	JBP3357	U-Bolt, 1/2"-13UNC x 7 1/4", 6 9/16CC	2	
6	JAAM2637	Coulter Bracket Extension Kit For MaxPac	-	Includes Items 7-10 Used when residue managers are mounted on coulters.
7	JAM2266	Coulter Bracket Extension Weldment	1	
8	9388-108	Carriage Bolt, 1/2"-13UNC x 2 1/2" G5	2	
9	9404-025	Lock Washer 1/2"	2	
10	9394-010	Hex Nut, 1/2"-13UNC	2	

### Horizontal Spring Coupler Assembly

Please visit [www.unverferth.com/parts/](http://www.unverferth.com/parts/) for the most current parts listing.



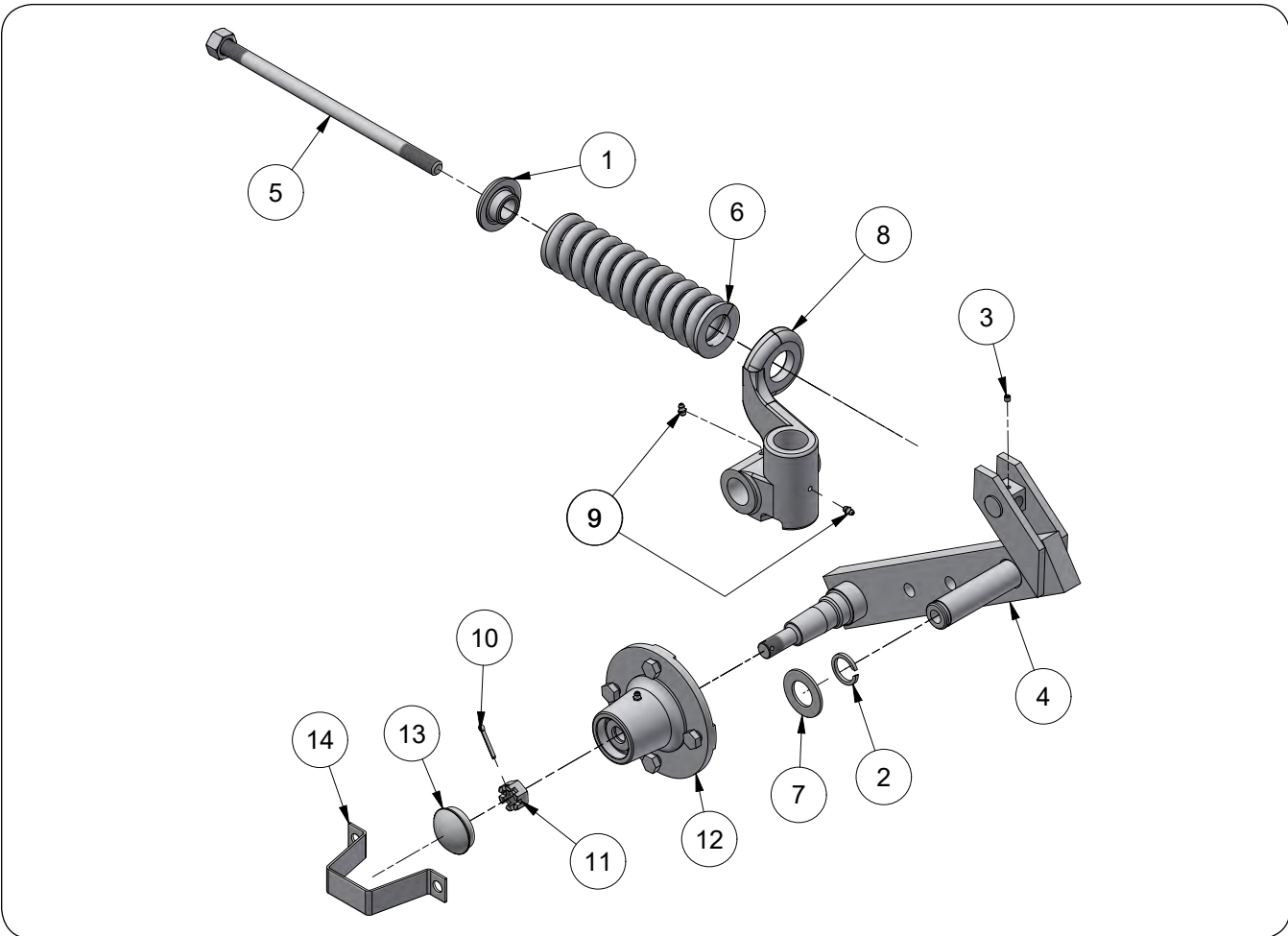
## Horizontal Spring Coulter Assembly

Please visit [www.unverferth.com/parts/](http://www.unverferth.com/parts/) for the most current parts listing.

ITEM	PART NUMBER	DESCRIPTION	QTY	NOTES
	45665B	Horizontal Spring Coulter Assembly =Black=	1	Includes Items 1-9
1	45652B	Coulter Shank Weldment =Black=	1	
2	45663B	Horizontal Coulter Arm & Spring Left-Hand Assembly =Black=	1	
3	91144-188	Spiral Pin, 5/16" Dia. x 2 1/2"	1	
4	91144-209	Spiral Pin, 3/8" Dia. x 2 1/2"	1	
5	9390-032	Capscrew, 5/16"-18UNC x 1 1/2" G5	1	
6	9392-210	Roll Pin, 1/2" Dia. x 2 1/2"	1	
7	96581	Washer, 2 1/4" OD x 1 1/2"	1	
8	97798	Washer, 2.25" OD x 1.51" ID	1	
9	9807	Locknut/Top, 5/16"-18UNC	1	
10	9503717B	Coulter Blade 20" Dia. Vortex, Optional	-	
11	JAP2701	Coulter Blade 20" Dia. Fluted, Standard	1	

**Horizontal Coulter Arm & Spring Components**

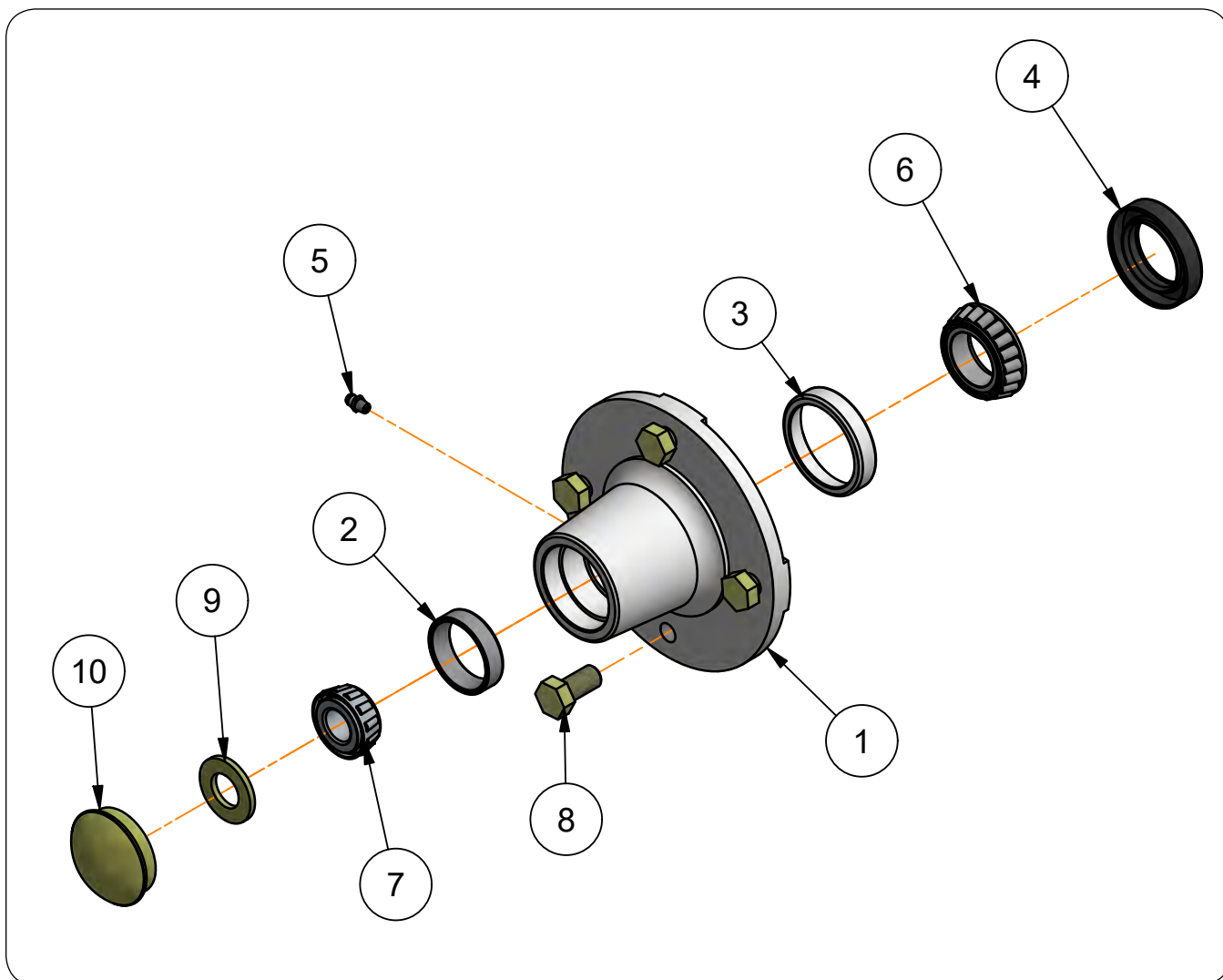
Please visit [www.unverferth.com/parts/](http://www.unverferth.com/parts/) for the most current parts listing.



ITEM	PART NUMBER	DESCRIPTION	QTY	NOTES
	45663B	Horizontal Coulter Arm & Spring Left-Hand Assembly	1	Includes Items 1-13
1	82826B	Spring Washer Casting	1	
2	94144	Retaining Ring, 1 1/4" Dia. Shaft	1	
3	9399-057	Set Screw, 1/4-20UNC x 1/4"	1	
4	45662B	Coulter Arm Left-Hand Weldment	1	
5	83371B	Spring Rod Wedment 3/4" Dia.	1	
6	94756B	Spring/Compression, 2 5/8" Dia. x 10 5/8"	1	
7	92528B	Bushing, 2 1/4" OD x 1 1/4" ID x 10GA	1	
8	68280B	Swivel Left-Hand Bracket	1	
9	9501603	Grease Zerk	2	
10	9391-034	Cotter Pin, 5/32" Dia. x 1 1/4"	1	
11	9393-016	Slotted Nut, 3/4"-16UNF G2	1	
12	N/A	Hub 4-Bolt Assembly Less Hub Cap	1	
13	90024	Hub Cap	1	
14	46842B	Hub Cap Strap	1	

### Horizontal Coultter Arm Hub Assembly Components

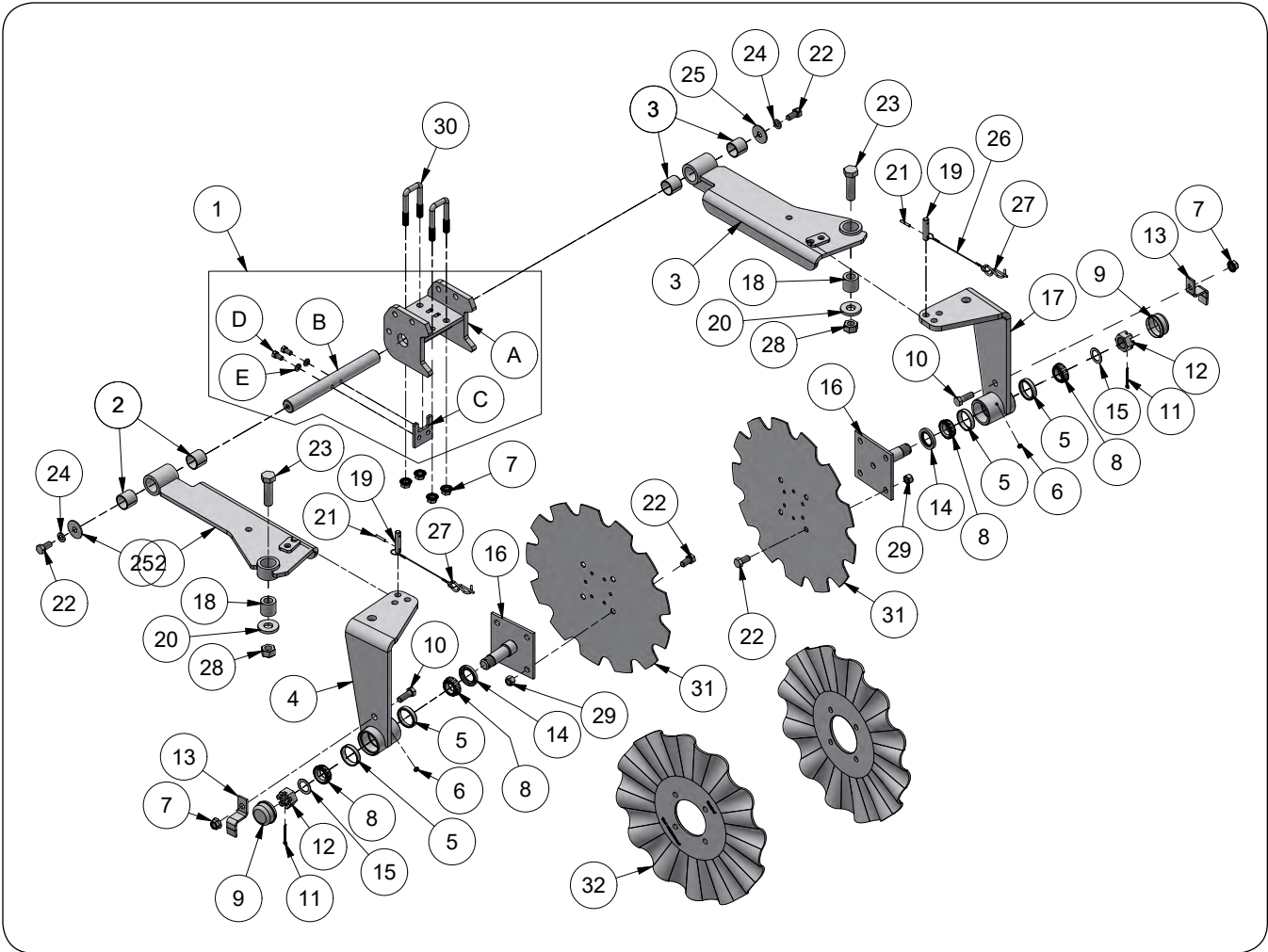
Please visit [www.unverferth.com/parts/](http://www.unverferth.com/parts/) for the most current parts listing.



ITEM	PART NUMBER	DESCRIPTION	QTY	NOTES
	JAP2707	Hub 4-Bolt Assembly with Cap	1	Includes Items 1-10
1	JAP2706-1	Hub 4-Bolt Subassembly w/Cups & Grease Zerk	1	Includes Items 2 & 3
2	9784	Bearing Cup 1.780" Dia. (LM11910)	1	
3	9345	Bearing Cup 2.328" Dia. (LM67010)	1	
4	JAP2747	Seal 2.328" OD x 1.500" ID, Double Lip (15235TB)	1	
5	91160	Grease Zerk 1/4"-28 STT	1	
6	9165	Bearing Cone 1.25" Bore (LM67048)	1	
7	9789	Bearing Cone (LM11949)	1	
8	9390-323	Capscrew, 1/2"-20UNF x 1" G5	4	
9	9405-103	Flat Washer, 3/4" SAE	1	
10	90024	Hub Cap	1	

**SealPro II (47615B) & Blades For 1 1/4" Edge Bent Shank**

Please visit [www.unverferth.com/parts/](http://www.unverferth.com/parts/) for the most current parts listing.





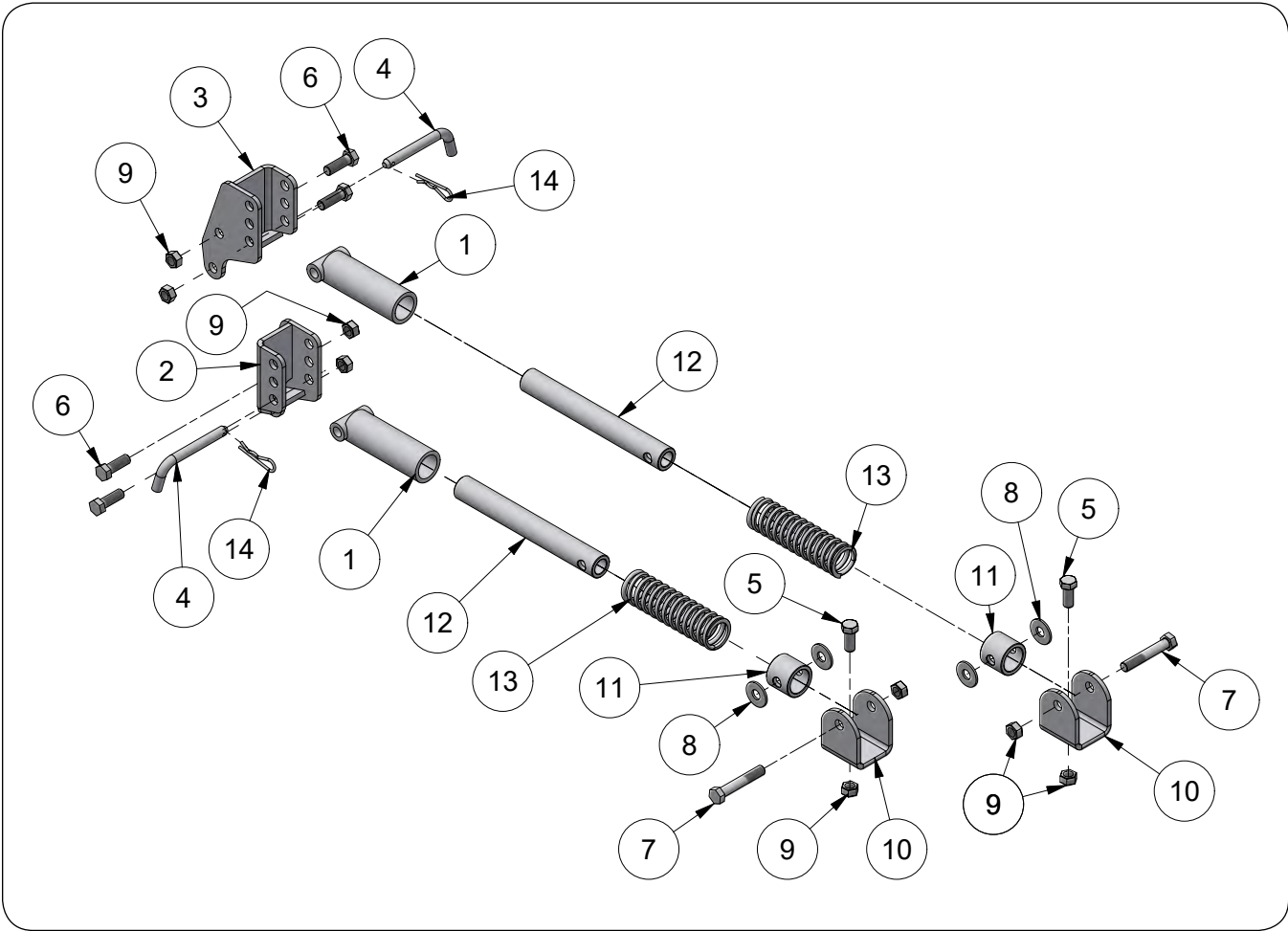
**SealPro II (47615B) & Blades For 1 1/4" Edge Bent Shank**

Please visit [www.unverferth.com/parts/](http://www.unverferth.com/parts/) for the most current parts listing.

ITEM	PART NUMBER	DESCRIPTION	QTY	NOTES	
1	47617B	Sealer Mounting Bracket Assembly =Black=	2	Includes Items A-E	
	A	47622B	Sealer Mounting Bracket Weldment =Black=		1
	B	47623	Pin, 1 1/4" Dia. x 11.19"		1
	C	47624B	Pin Retaining Plate =Black=		1
	D	9390-053	Capscrew, 3/8"-16UNC x 3/4" G5		2
	E	9404-021	Lock Washer, 3/8"		2
2	47618B	Sealer Arm Weldment, Left-Hand =Black=	1		
	JAP3115	Self-Lubricated, Split Bushing, 1.41" OD x 1.25" ID x 1.25"	2		
3	47619B	Sealer Arm Weldment, Right-Hand =Black=	1		
	JAP3115	Self-Lubricated, Split Bushing, 1.41" OD x 1.25" ID x 1.25"	2		
4	47627B	Sealer Hanger Weldment, Left-Hand =Black=	1		
5	92522	Bearing Cup, 1.98" Dia. x .42" (L44610)	4		
6	91160	Grease Zerk	2		
7	91267	Flange Nut, 1/2"-13UNC	6		
8	91821	Bearing Cone, 1.0625" Bore (L44649)	4		
9	92521	Hub Cap	2		
10	9390-101	Capscrew, 1/2"-13UNC x 1 1/2" G5	2		
11	9391-036	Cotter Pin, 5/32" Dia. x 1 3/4"	2		
12	9393-020	Slotted Nut, 1"-14UNS	2		
13	JAM2482	Hub Cap Retainer =Black=	2		
14	JAP4209	Grease Seal, Double Lip	2		
15	JBP3739	Machinery Bushing, 1" ID	2		
16	JEM3245	Blade Mounting Weldment =Black=	2		
17	47628B	Sealer Hanger Weldment, Right-Hand =Black=	1		
18	47625	Bushing, 1 3/8" OD x .813" ID x 1.281"	2		
19	47886	Pin, 1/2" Dia. x 2 1/4"	2		
20	47923	Flat Washer, 1 7/8" OD x .81" ID	2		
21	91144-121	Spiral Pin, 3/16" Dia. x 1 1/8"	2		
22	9390-099	Capscrew, 1/2"-13UNC x 1" G5	8		
23	9390-148	Capscrew, 3/4"-10UNC x 2 3/4" G5	2		
24	9404-025	Lock Washer, 1/2"	2		
25	9405-090	Flat Washer, 1/2"	2		
26	9501482	Lanyard	2		
27	9504901	Twist Clip	2		
28	96732	Locknut/Center, 3/4"-10UNC	2		
29	9800	Locknut/Top, 1/2"-13UNC	8		
30	JBP3314	U-Bolt, 1/2"-13UNC x 3 3/8", 1 13/16" C/C	2		
31	JAM2479	Notched Blade 17" Dia.	1		
32	JAP2728	Coulter Blade, 17" Dia. Wavy =Optional=	-		

### Sealer Spring Add-On Kit

Please visit [www.unverferth.com/parts/](http://www.unverferth.com/parts/) for the most current parts listing.



### Sealer Spring Add-On Kit

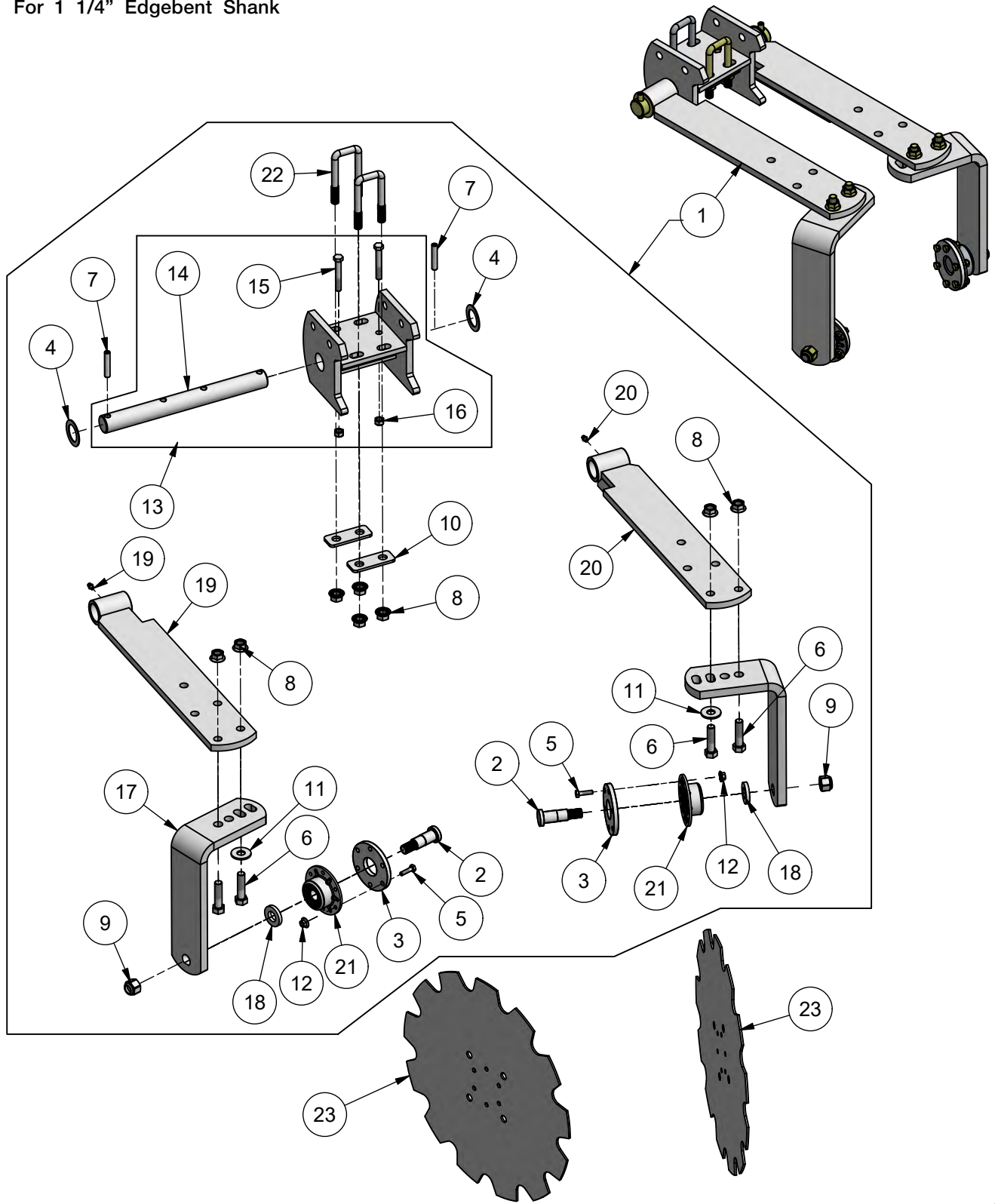
Please visit [www.unverferth.com/parts/](http://www.unverferth.com/parts/) for the most current parts listing.

ITEM	PART NUMBER	DESCRIPTION	QTY	NOTES
	47616B	Sealer Spring Add-On Kit	1	Includes Items 1-14
1	47629B	Upper Spring Tube 1 3/4" Dia. x 5 13/16"	2	
2	47639B	Upper Left Sealer Spring Clevis Weldment =Black=	1	
3	47640B	Upper Right Sealer Spring Clevis Weldment =Black=	1	
4	47661	Bent Pin, 1/2" Dia. x 5 9/16"	2	
5	9390-100	Capscrew, 1/2"-13UNC x 1 1/4" G5	2	
6	9390-101	Capscrew, 1/2"-13UNC x 1 1/2" G5	4	
7	9390-107	Capscrew, 1/2"-13UNC x 3" G5	2	
8	9405-088	Flat Washer, 1/2" USS	4	
9	94981	Locknut/Center, 1/2"-13UNC	8	
10	JAM2489	Lower Clevis Sealer Spring Plate	2	
11	JAM2491	Spring Collar Bushing 1 3/4" OD x 1 1/2"	2	
12	JAM2492	Spring Guide Tube 1 1/4" OD x 9 3/4"	2	
13	JAP2997	Compression Spring 1 3/4" OD x 6"	2	
14	JBP3504	Hairpin Cotter, 1/8" Dia. x 2 1/2"	2	

**DiscCover Double Disc Sealer & Notched Blade**

Please visit [www.unverferth.com/parts/](http://www.unverferth.com/parts/) for the most current parts listing.

For 1 1/4" Edgebent Shank



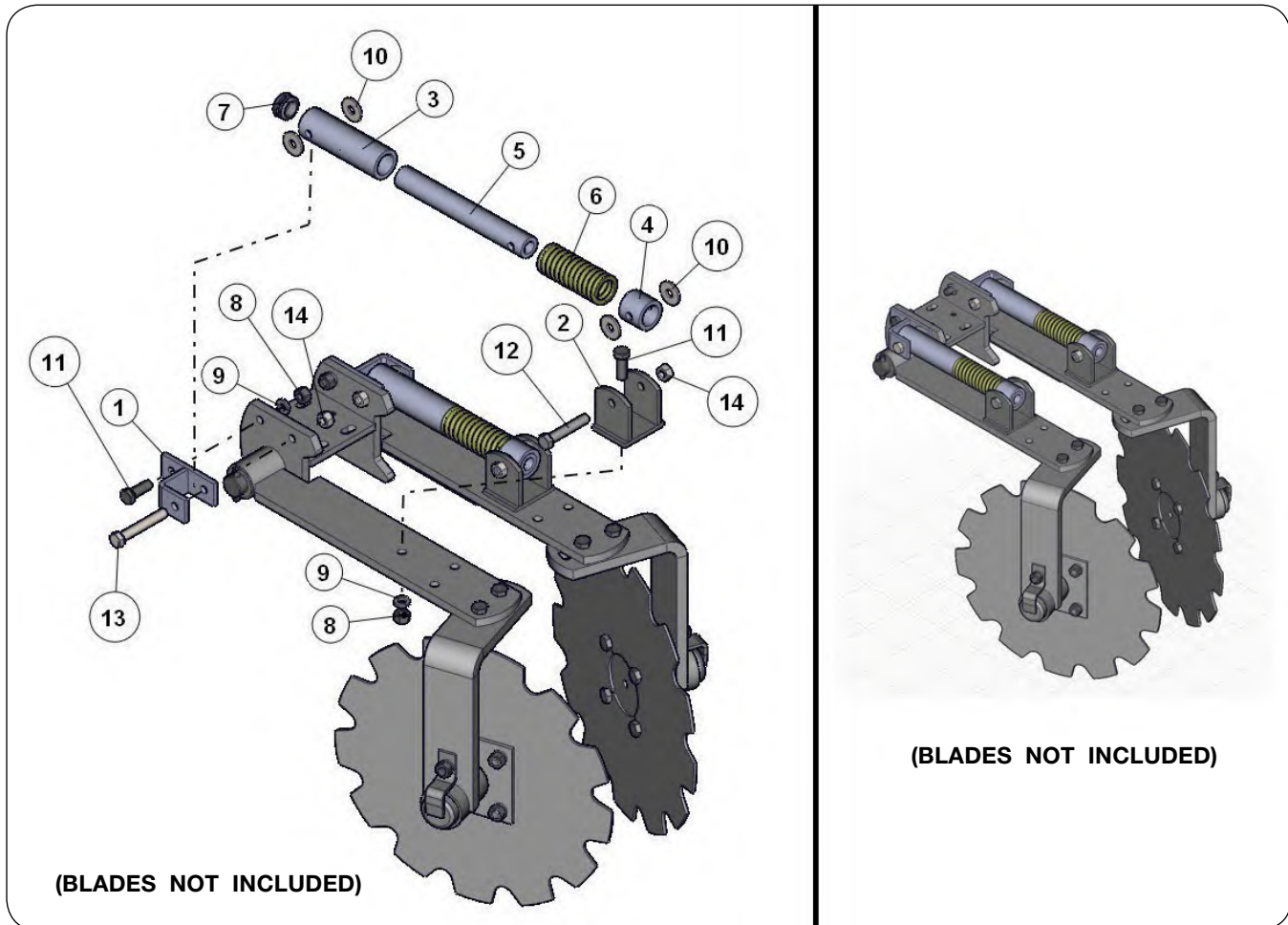
## DiscCover Double Disc Sealer & Notched Blade

Please visit [www.unverferth.com/parts/](http://www.unverferth.com/parts/) for the most current parts listing.

ITEM	PART NUMBER	DESCRIPTION	QTY	NOTES
1	JAAM2893	DiscCover Double Disc Sealer 1 1/4" Edgebent Shank	1	Includes Items 2-22
2	44547	Mounting Bolt, 5/8"-11UNC Threaded End	2	
3	44548B	Spacer Plate 3 9/16" Dia.	2	
4	91174	Bushing, 1.875" OD x 1.25" ID	2	
5	9390-005	Capscrew, 1/4"-20UNC x 1" G5	12	
6	9390-103	Capscrew, 1/2"-13UNC x 2" G5	4	
7	9392-180	Roll Pin, 3/8" Dia. x 2"	2	
8	9394-010	Hex Nut, 1/2"-13UNC	8	
9	9398-019	Elastic Locknut, 5/8"-11UNC	2	
10	9404-025	Lock Washer, 1/2"	8	
11	9405-088	Flat Washer, 1/2" USS	6	
12	97189	Hex Nut/Large Flange, 1/4"-20UNC	12	
13	JAM2485	Sealer Mounting Bracket Assembly	1	Includes Items 14-16
14	JBM3643	Sealer Mounting Bracket Weldment	1	
15	9390-061	Capscrew, 3/8"-16UNC x 2 1/2" G5	2	
16	9928	Locknut/Top, 3/8"-16UNC	2	
17	JAM2745	Sealer Hanger Mount Plate	2	
18	JAM2748	Washer/Plate 1 1/2" OD x 0.78" ID	2	
19	JAM2750	Sealer Arm LH Weldment	1	
20	JAM2751	Sealer Arm RH Weldment	1	
21	JAP4581	Bearing Unit	2	
22	JBP3314	U-Bolt, 1/2"-13UNC x 3 3/4", 1 13/16 C/C	2	
23	JAM2479	Notched Blade 17" Dia.	2	
24	JAP2728	Coulter Blade, 17" Dia. Wavy =Optional=	-	Not Shown

**Disc Sealer Spring Add-On Kit (JAAM2857) Optional**

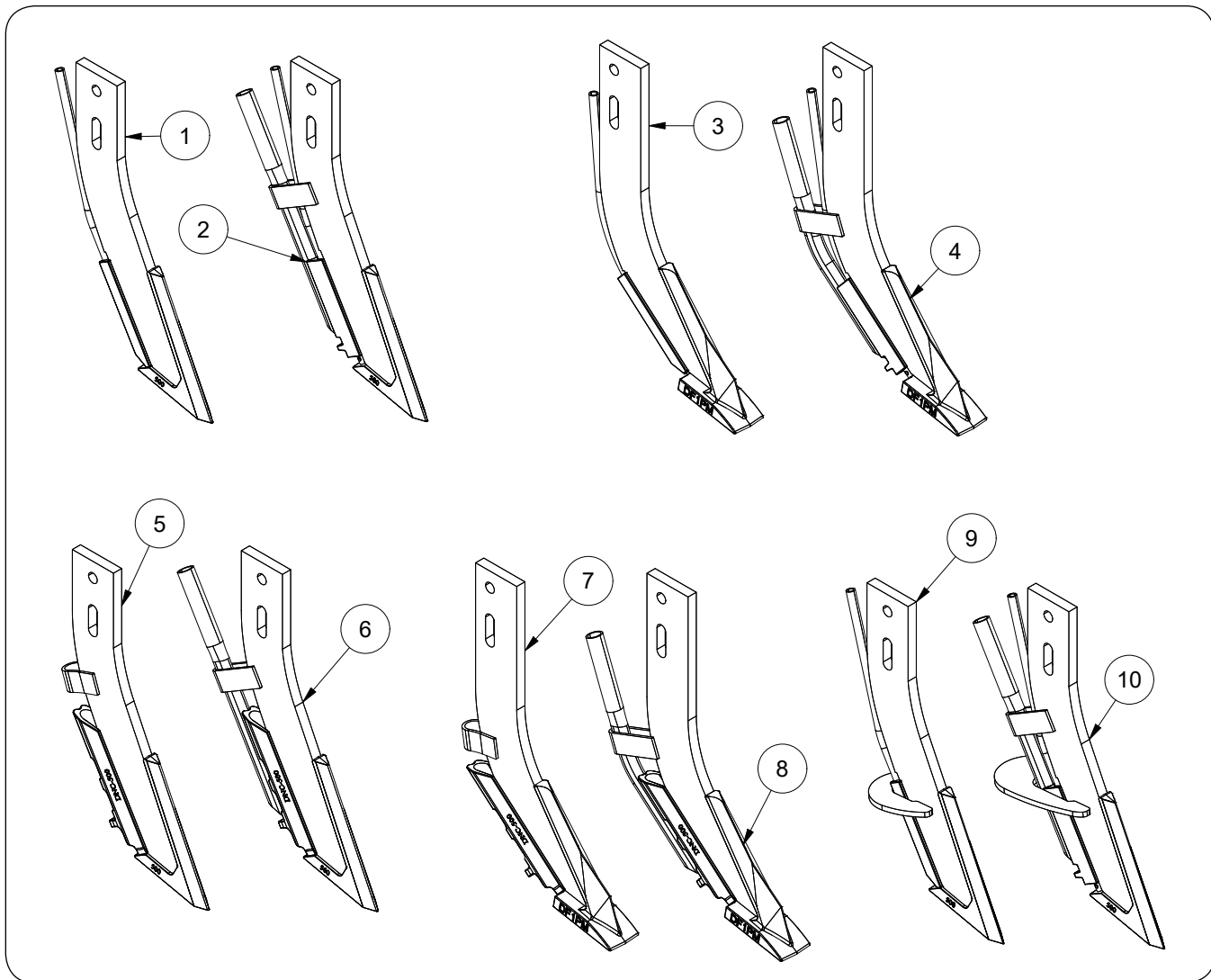
Please visit [www.unverferth.com/parts/](http://www.unverferth.com/parts/) for the most current parts listing.



ITEM	PART NUMBER	DESCRIPTION	QTY	NOTES
	JAAM2857	Disc Sealer Spring Add-On Kit Option (Blades Not Included)	-	Includes Items 1-14
1	JAM2488	Upper Sealer Spring Clevis Weldment	2	
2	JAM2489	Lower Clevis Plate	2	
3	JAM2490	Upper Spring Tube	2	
4	JAM2491	Spring Collar Bushing	2	
5	JAM2492	Spring Guide Tube	2	
6	JAP2997	Spring, 1.75" OD x 1.313" ID x 6	2	
7	JAP3116	Tube Plug, 1 3/8" Dia.	2	
8	9394-010	Hex Nut, 1/2"-13UNC	4	
9	9404-025	Lock Washer, 1/2"	4	
10	9405-088	Flat Washer, 1/2" USS	8	
11	9390-101	Capscrew, 1/2"-13UNC x 1 1/2" G5	4	
12	9390-107	Capscrew, 1/2"-13UNC x 3" G5	2	
13	9390-109	Capscrew, 1/2"-13UNC x 3 1/2" G5	2	
14	94981	Lock Nut/Center, 1/2"-13UNC	4	

**Shank Knives**

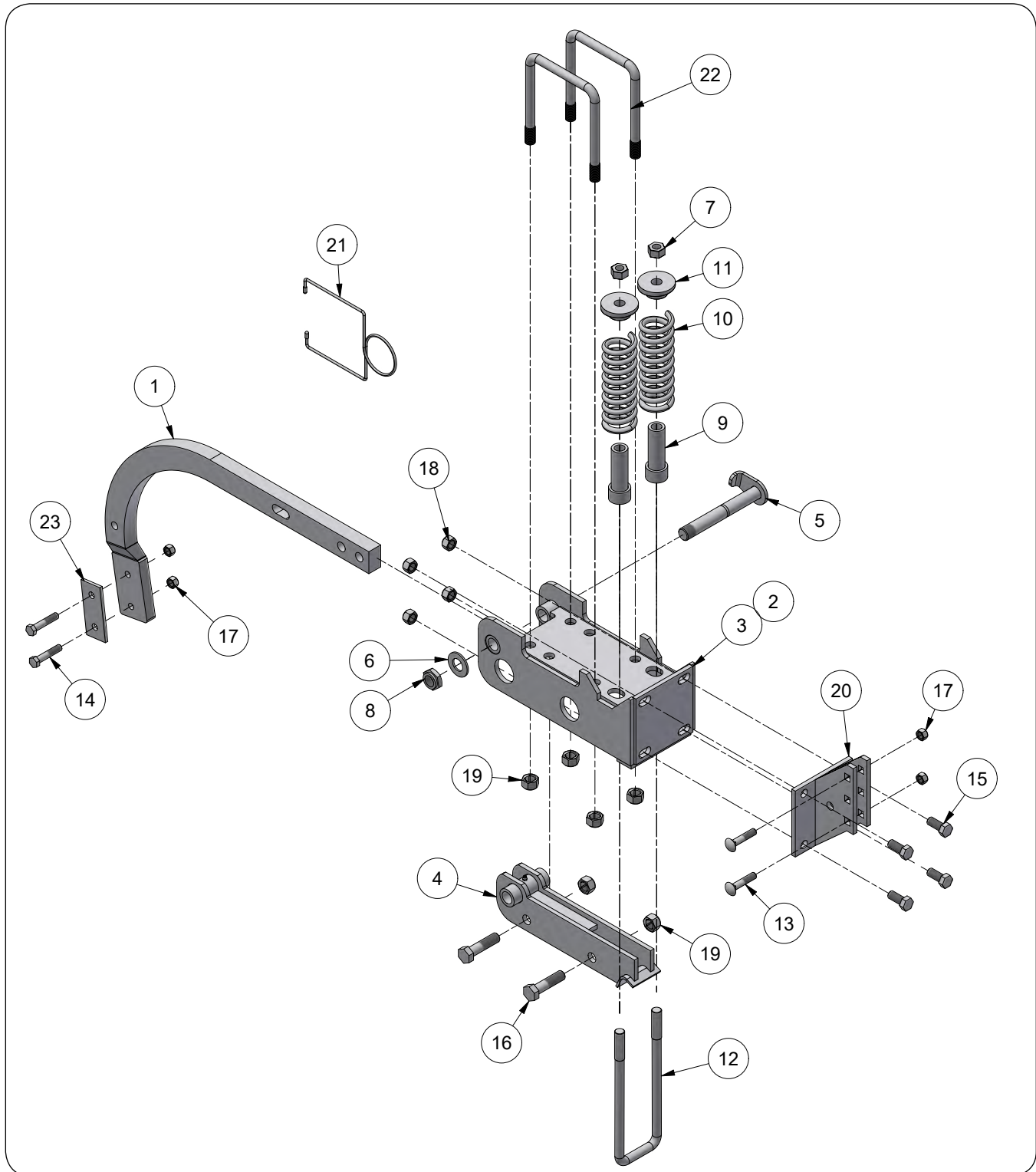
Please visit [www.unverferth.com/parts/](http://www.unverferth.com/parts/) for the most current parts listing.



ITEM	PART NUMBER	DESCRIPTION	QTY	NOTES
1	9503401B	NH3 - 3/4" Knife w/ 3/8" Drop Tube	AR	
2	9503402B	NH3 - 3/4" Knife w/ Vapor 3/4" Tube	AR	
3	9503405B	NH3 - 1 3/4" Knife w/ 3/8" Drop Tube	AR	
4	9503406B	NH3 - 1 3/4" Knife w/ Vapor 3/4" Tube	AR	
5	9503403B	NH3 - 3/4" Knife Freezeless	AR	
6	9503404B	NH3 - 3/4" Knife Freezeless w/ Vapor 3/4" Tube	AR	
7	9503407B	NH3 - 1 3/4" Knife Freezeless	AR	
8	9503408B	NH3 - 1 3/4" Knife Freezeless w/ Vapor 3/4" Tube	AR	
9	9504203	NH3 - 3/4" Knife w/ Sealer	AR	
10	9504204	NH3 - 3/4" Knife w/Sealer & Vapor 3/4" Tube	AR	

**Shank Assembly 1 1/4" EdgeBent SCS Less Coulter (44825B)**

Please visit [www.unverferth.com/parts/](http://www.unverferth.com/parts/) for the most current parts listing.





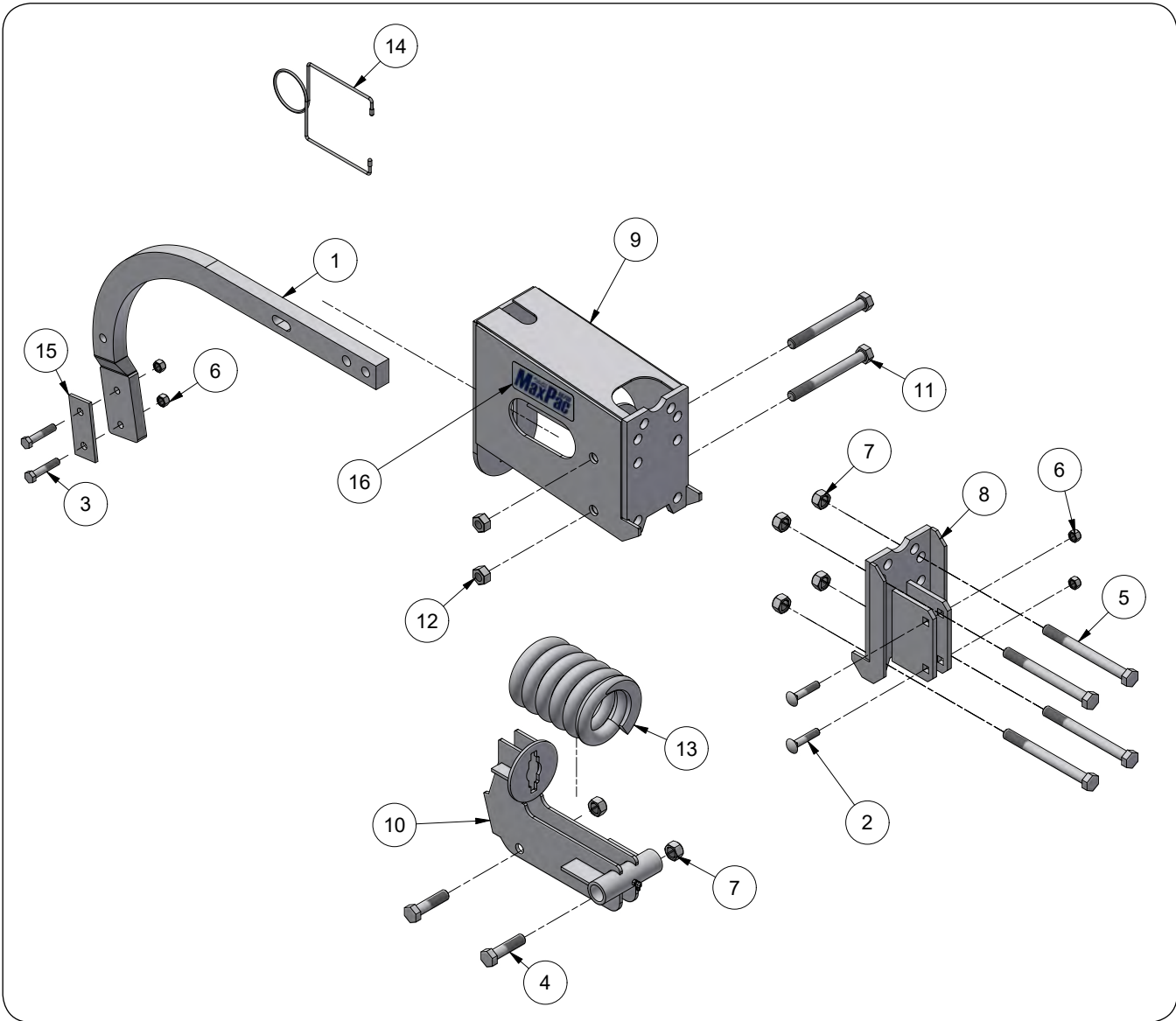
**Shank Assembly 1 1/4" EdgeBent SCS Less Coulter (44825B)**

Please visit [www.unverferth.com/parts/](http://www.unverferth.com/parts/) for the most current parts listing.

ITEM	PART NUMBER	DESCRIPTION	QTY	NOTES
1	44607	Shank, 1 1/4" x 2" EdgeBent	1	
2	44822B	Spring Bundle Assembly, EdgeBent Shank	1	Includes Items 3-12
3	44820B	Spring Bundle Base Weldment	1	
4	44821B	Insert Weldment, EdgeBent Shank	1	
	91160	Grease Zerk 1/4"-28 STT	1	
5	47249	Pivot Pin Weldment	1	
6	9405-116	Flat Washer, 1" SAE	1	
7	96732	Locknut/Center, 3/4"-10UNC	2	
8	96976-040	Locknut/Thin, 1"-14UNS	1	
9	JAM2156	Spring Sleeve Weldment	2	
10	JBP3104	Compression Spring 2.64" Dia. x 8.625"	2	
11	JBP3105-1	Spring Plug, Flash Removed	2	
12	JBP3106	U-Bolt 3/4"-10UNC x 11 3/4, 3 7/8"CC	1	
13	9388-108	Carriage Bolt, 1/2"-13UNC x 2 1/2" G5	2	
14	9390-105	Capscrew, 1/2"-13UNC x 2 1/2" G5	2	
15	9390-122	Capscrew, 5/8"-11UNC x 1 1/2" G5	4	
16	9390-149	Capscrew, 3/4"-10UNC x 3" G5	2	
17	9800	Locknut/Top, 1/2"-13UNC	4	
18	9801	Locknut/Top, 5/8"-11UNC	4	
19	9802	Locknut/Top, 3/4"-10UNC	6	
20	JAM2699	Spring Flatback Bracket	1	
21	JAP2283-1	Hose Retainer, 6" x 6"	1	
22	JBP3350	U-Bolt, 3/4"-10UNC x 6"W x 7 11/16"L	2	
23	JCM2311	Knife Washer 2" x 4 3/4"	1	

**Row Clamp, 1 1/4" EdgeBent MaxPac w/Shank & Coulter Mount**

Please visit [www.unverferth.com/parts/](http://www.unverferth.com/parts/) for the most current parts listing.



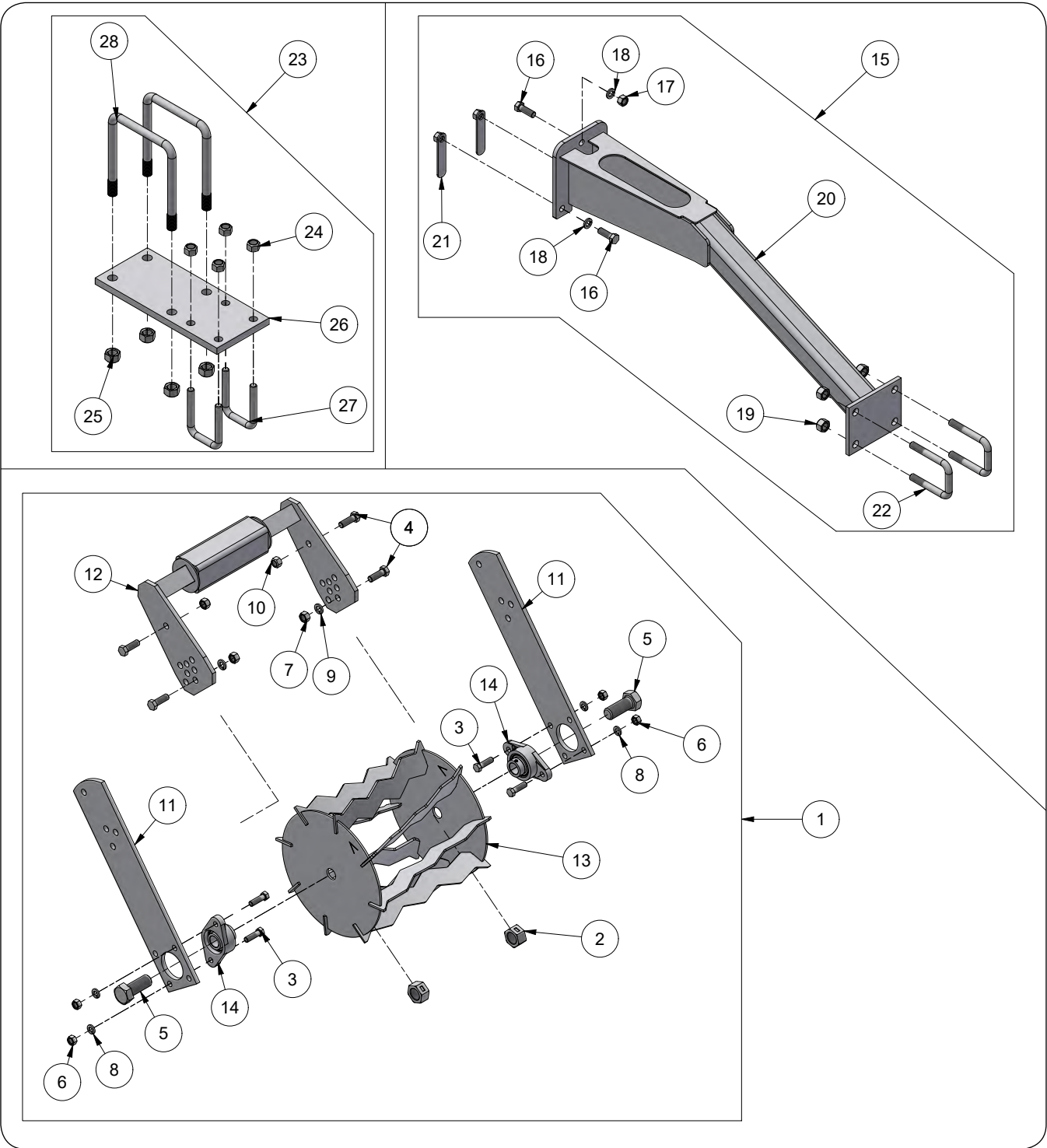
## Row Clamp, 1 1/4" EdgeBent MaxPac w/Shank & Coultter Mount

Please visit [www.unverferth.com/parts/](http://www.unverferth.com/parts/) for the most current parts listing.

ITEM	PART NUMBER	DESCRIPTION	QTY	NOTES
	JAAM2135	Row Clamp, 1 1/4" EdgeBent MaxPac w/Shank & Coultter Mount	-	Includes Items 1-16
1	44607	Shank, 1 1/4" x 2" EdgeBent	1	
2	9388-108	Carriage Bolt, 1/2"-13UNC x 2 1/2" G5	2	
3	9390-105	Capscrew, 1/2"-13UNC x 2 1/2" G5	2	
4	9390-149	Capscrew, 3/4"-10UNC x 3" G5	2	
5	9390-161	Capscrew, 3/4"-10UNC x 8" G5	4	
6	9800	Locknut/Top, 1/2"-13UNC	4	
7	9802	Locknut/Top, 3/4"-10UNC	6	
8	JAM2262	Backing Plate, Row Mount with Coultter Mount, AR700	1	
9	JAM2264	AR700 MaxPac Row Unit Assembly	1	Includes Items 10-13
10	JEM4633	Shank Holder Weldment =Black=	1	
	93415	Grease Zerk 90°	1	
11	9390-159	Capscrew, 3/4"-10UNC x 7" G5	2	
12	96732	Locknut/Center, 3/4"-10UNC	2	
13	JAP2970-1	Compression Spring, 5 1/2" Dia. x 9 1/16" =Black=	1	
14	JAP2283-1	Hose Retainer, 6" x 6"	1	
15	JCM2311	Knife Washer 2" x 4 3/4"	1	
16	JAP2976	Decal, MaxPac AR700 (2 1/4" x 6")	2	

**Torsion Basket & Mounting Components For MaxPac Only**

Please visit [www.unverferth.com/parts/](http://www.unverferth.com/parts/) for the most current parts listing.



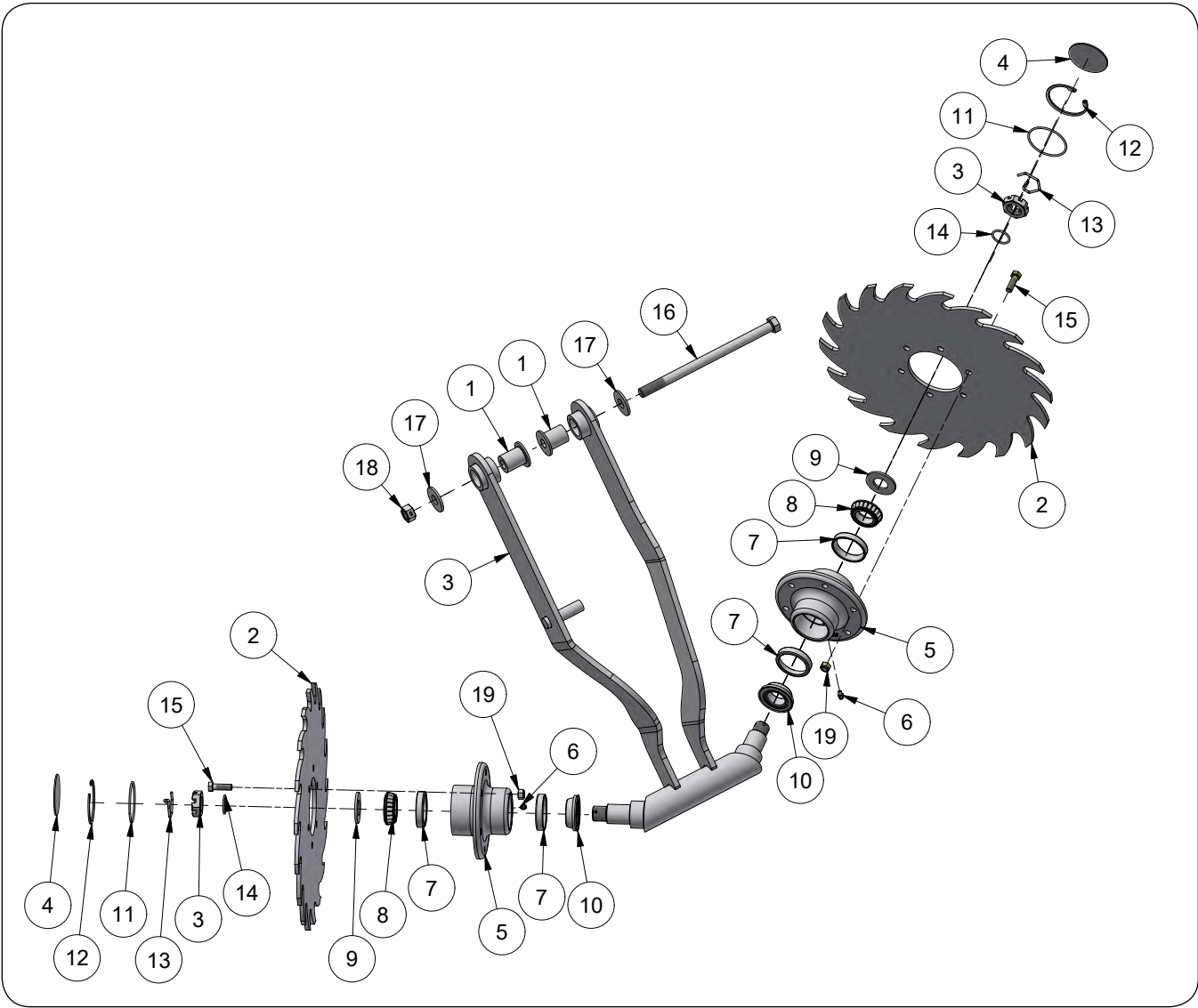
### Torsion Basket & Mounting Components For MaxPac Only

**Please visit [www.unverferth.com/parts/](http://www.unverferth.com/parts/) for the most current parts listing.**

ITEM	PART NUMBER	DESCRIPTION	QTY	NOTES
1	J70210641	Torsion Basket Bundle	1	Includes Items 2-14
2	92199	Locknut/Center, 1"-8UNC	2	
3	9390-080	Capscrew, 7/16"-14UNC x 1 1/2" G5	4	
4	9390-101	Capscrew, 1/2"-13UNC x 1 1/2" G5	4	
5	9390-185	Capscrew, 1"-8UNC x 2 1/2" G5	2	
6	9394-008	Hex Nut, 7/16"-14UNC	4	
7	9394-010	Hex Nut, 1/2"-13UNC	2	
8	9404-023	Lock Washer, 7/16"	4	
9	9404-025	Lock Washer, 1/2"	2	
10	9800	Locknut/Top, 1/2"-13UNC	2	
11	JAM2269	Basket Mounting Plate =Black=	2	
12	JAM7568	Torsion Spring Weldment =Black=	1	
13	JAM7615	StripTill Basket Weldment, 12 3/4" =Black=	1	
14	JAP2144	Flange Bearing, 2-Bolt 1" Bore	2	
15	JAAM2623	Basket Mount Arm Weldment (AR700)	1	Includes Items 16-22
16	9390-101	Capscrew, 1/2"-13UNC x 1 1/2" G5	3	
17	9394-010	Hex Nut, 1/2"-13UNC	1	
18	9404-025	Lock Washer, 1/2"	3	
19	9801	Locknut/Top, 5/8"-11UNC	4	
20	JAM2271	MaxPac Basket Mount Weldment	1	
21	JAM2273	Nut Plate Weldment	2	
22	JBP3300	U-Bolt, 5/8"-11UNC x 4" x 3 3/16" C/C	2	
23	JAAM2630	Basket Mount Assembly	1	Includes Items 24-28
24	9801	Locknut/Top, 5/8"-11UNC	4	
25	9802	Locknut/Top, 3/4"-10UNC	4	
26	JAM7637	Basket Mounting Plate =Black=	1	
27	JBP3300	U-Bolt, 5/8"-11UNC x 4" x 3 3/16" C/C	2	
28	JBP3350	U-Bolt, 3/4"-10UNC x 7 11/16", 6 13/16" C/C	2	

### Residue Manager Components

Please visit [www.unverferth.com/parts/](http://www.unverferth.com/parts/) for the most current parts listing.



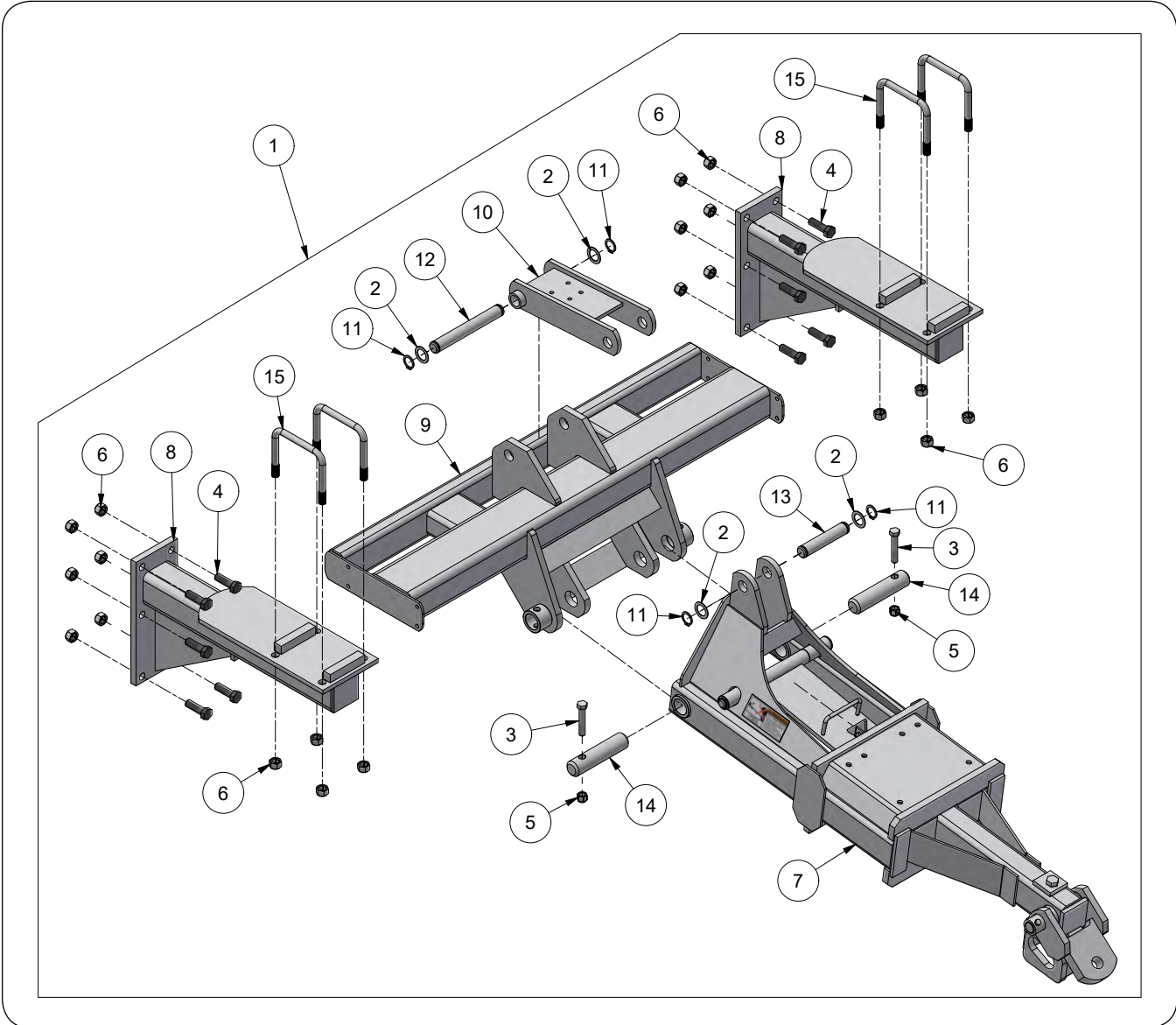
## Residue Manager Components

**Please visit [www.unverferth.com/parts/](http://www.unverferth.com/parts/) for the most current parts listing.**

ITEM	PART NUMBER	DESCRIPTION	QTY	NOTES
	47742B	Residue Manager Assembly =Black=	1	Includes Items 1-19
1	603864	Bushing w/Flange (Hardened)	2	
2	604207B	16" Saw Tooth Residue Manager Blade	2	
3	604250B	Residue Manager Frame =Black=	1	
4	60735B	Hub Cap =Black=	2	
5	64533	Hub Subassembly =Black=	2	Includes Items 6 & 7
6	91160	Grease Zerk	1	
7	9345	Bearing Cup, 2.328" OD x 1.906" ID (LM67010)	2	
8	9165	Bearing Cone, 1.250 Bore (LM67048)	2	
9	94800	Bushing, 2" OD x 1.01" ID	2	
10	901145	Bearing & Seal Assembly, 1.25" Bore	2	
11	902158	O-Ring, 2.487" ID	2	
12	93985	Retaining Ring, 2 9/16"	2	
13	9504825	Retaining Ring, 1/8" Dia. x 1 3/4"	2	
14	95565	O-Ring, 1.049" ID	2	
15	9390-056	Capscrew, 3/8"-16UNC x 1 1/4" G5	12	
16	9390-443	Capscrew, 5/8"-11UNC x 10" G5	1	
17	9405-100	Flat Washer, 5/8" USS	2	
18	95905	Locknut/Center, 5/8"-11UNC	1	
19	9928	Locknut/Top, 3/8"-16UNC	12	

### Nurse Tank Hitch Assembly Components

Please visit [www.unverferth.com/parts/](http://www.unverferth.com/parts/) for the most current parts listing.





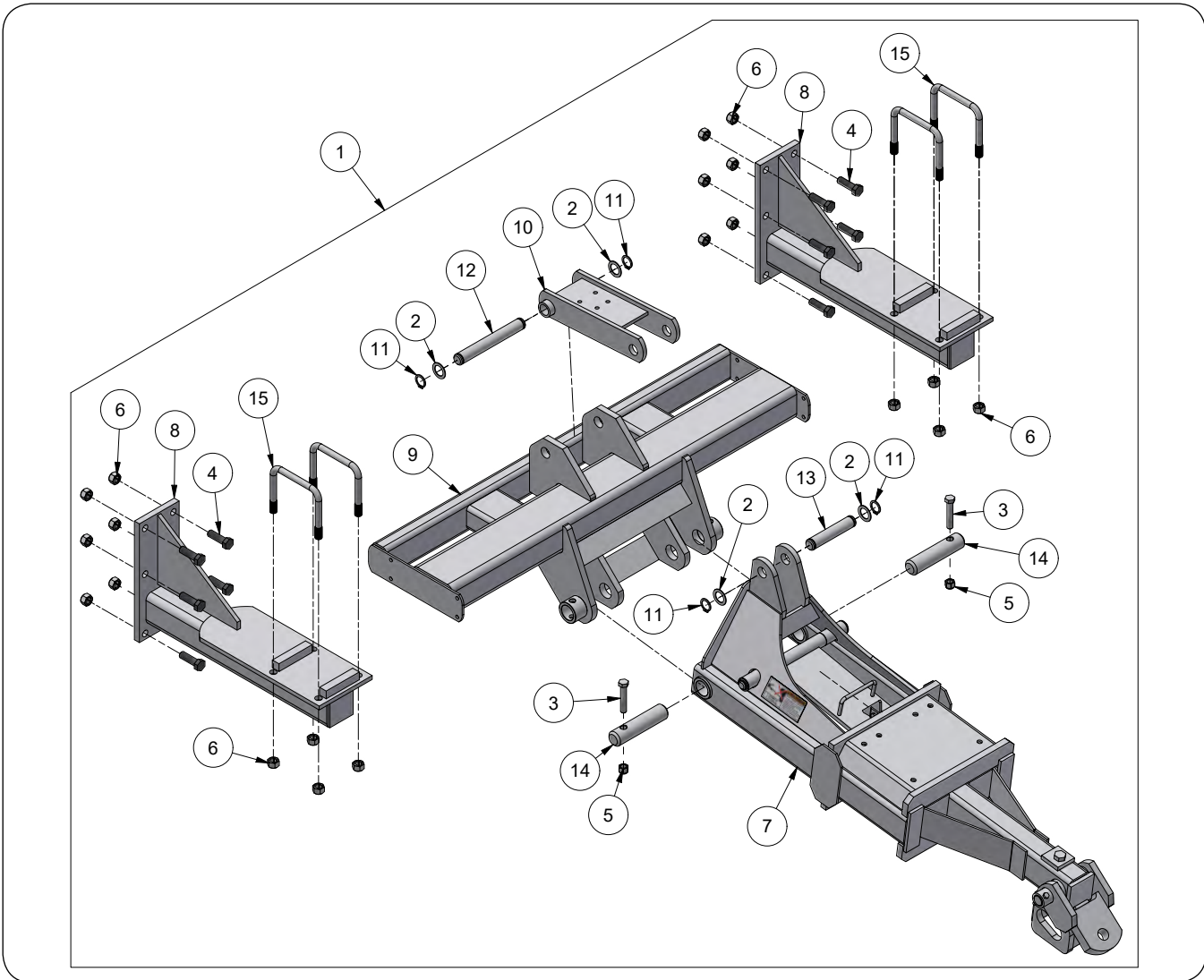
### Nurse Tank Hitch Assembly Components

Please visit [www.unverferth.com/parts/](http://www.unverferth.com/parts/) for the most current parts listing.

ITEM	PART NUMBER	DESCRIPTION	QTY	NOTES
1	JPKG00234BB	Nurse Tank Hitch Package	1	Includes Item 2-15
2	91174	Machinery Bushing, 1 7/8" OD x 1 1/4" ID x 14GA	4	
3	9390-130	Capscrew, 5/8"-11UNC x 3 1/2" G5	2	
4	9390-147	Capscrew, 3/4"-10UNC x 2 1/2" G5	12	
5	9398-019	Elastic Locknut, 5/8"-11UNC	2	
6	9802	Locknut/Top, 3/4"-10UNC	20	
7	JAAM2931BB	Assembly, Nurse Tank Hitch, Auto-Lok, Without Pin	1	
8	JAM6220BB	Hitch Mounting Bracket	2	
9	JAM6273BB	Low Bracket, Nurse Tank Hitch Mounting	1	
10	JAM6278	Linkage, Nurse Tank Hitch, 12 3/4"	1	
11	JAP2711	Snap Ring 1 1/4", External Heavy-Duty Retaining Ring	4	
12	JBM3544	Pin, 1 1/4" Dia. x 9"	1	
13	JBM3547	Pin, 1 1/4" Dia. x 5 3/4"	1	
14	JBM3632	Pin, Category 4, Upper Link	2	
15	JBP3208	U-Bolt, 3/4"-10UNC x 6"W x 5 11/16"L	4	

**Nurse Tank Hitch, Low Mounting Components**

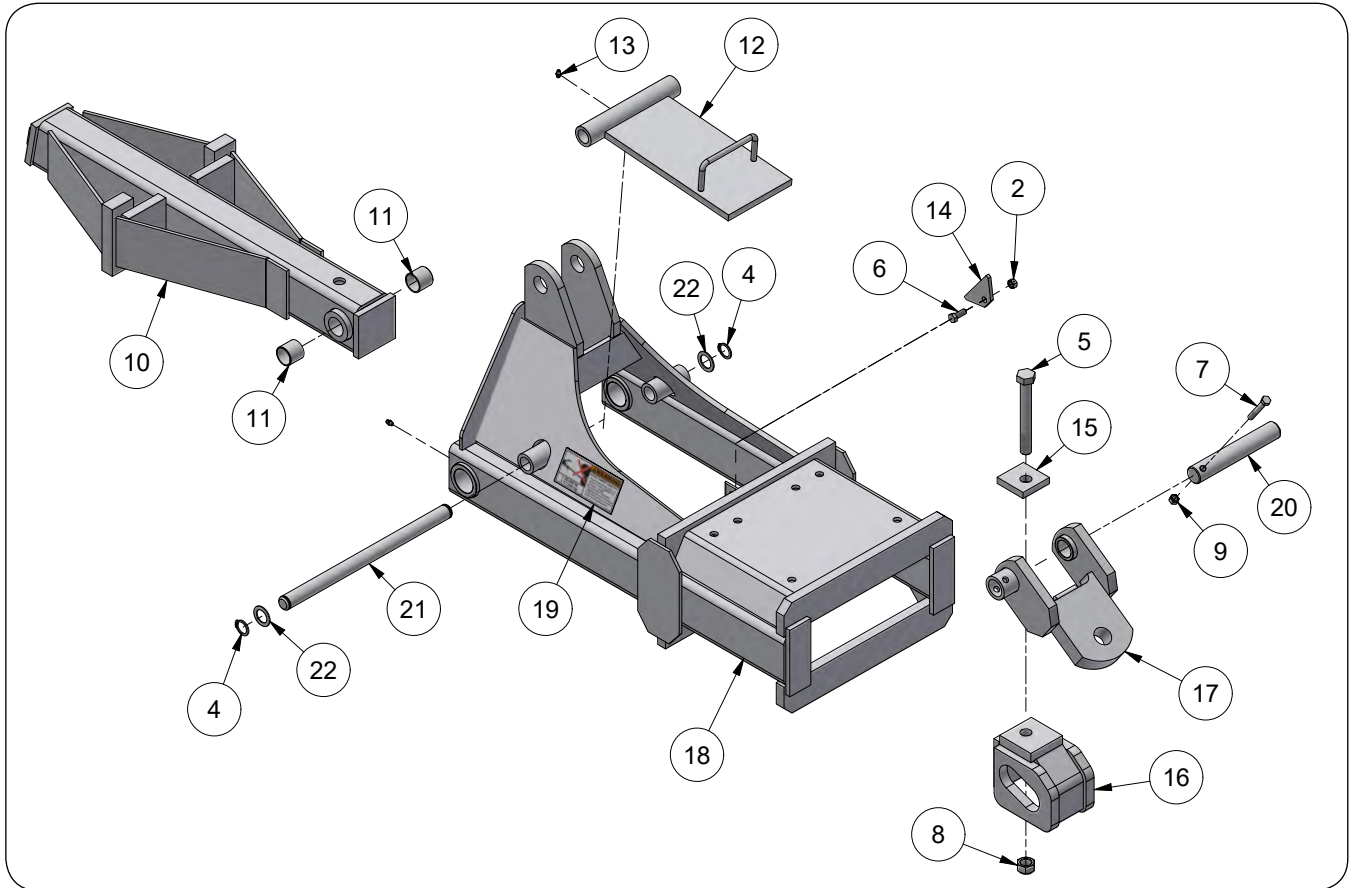
Please visit [www.unverferth.com/parts/](http://www.unverferth.com/parts/) for the most current parts listing.



ITEM	PART NUMBER	DESCRIPTION	QTY	NOTES
1	JPKG00247BB	Nurse Tank Hitch Assembly, Low Mounting	1	Includes Item 2-15
2	91174	Machinery Bushing, 1 7/8" OD x 1 1/4" ID x 14GA	4	
3	9390-130	Capscrew, 5/8"-11UNC x 3 1/2" G5	2	
4	9390-147	Capscrew, 3/4"-10UNC x 2 1/2" G5	12	
5	9398-019	Elastic Locknut, 5/8"-11UNC	2	
6	9802	Locknut/Top, 3/4"-10UNC	12	
7	JAAM2931BB	Assembly, Nurse Tank Hitch, Auto-Lok, Without Pin	1	
8	JAM6234BB	Bracket, Low Hitch Mounting, At6020 Nurse Tank	2	
9	JAM6273BB	Low Bracket, Nurse Tank Hitch Mounting	1	
10	JAM6278	Linkage, Nurse Tank Hitch, 12 3/4"	1	
11	JAP2711	Snap Ring 1 1/4", External Heavy-Duty Retaining Ring	4	
12	JBM3544	Pin, 1 1/4" Dia. x 9"	1	
13	JBM3547	Pin, 1 1/4" Dia. x 5 3/4"	1	
14	JBM3632	Pin, Category 4, Upper Link	2	
15	JBP3208	U-Bolt, 3/4"-10UNC x 6"W x 5 11/16"L	4	

**Auto-Lok Nurse Tank Hitch Components (Bundle JAAM2931BB)**

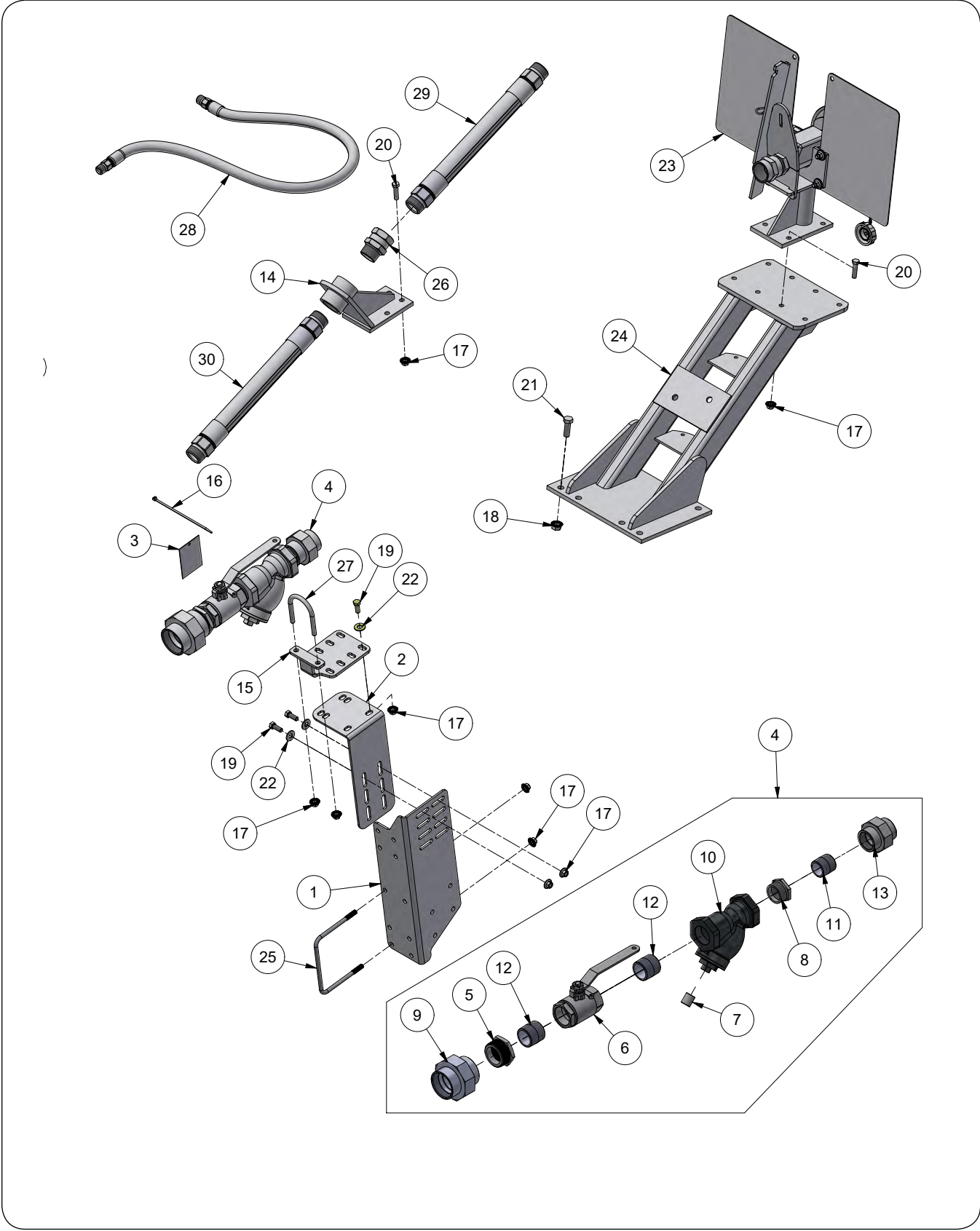
Please visit [www.unverferth.com/parts/](http://www.unverferth.com/parts/) for the most current parts listing.



ITEM	PART NUMBER	DESCRIPTION	QTY	NOTES
1	JAAM2931BB	Nurse Tank Hitch Assembly =Blu-Jet Blue=	-	
2	902875	Locknut/Center, 3/8"-16UNC	1	
3	91160	Grease Zerk 1/4"-28 STT	2	
4	91192	Retaining Ring, 1"	2	
5	91299-157	Capscrew, 3/4"-10UNC x 6" G8	1	
6	9390-055	Capscrew, 3/8"-16UNC x 1" G5	1	
7	9390-061	Capscrew, 3/8"-16UNC x 2 1/2" G5	1	
8	97025	Locknut/Top, 3/4"-10UNC	1	
9	9928	Locknut/Top, 3/8"-16UNC	1	
10	JAM4533BB	Hitch, Swing Slide Insert, Standard =Blu-Jet Blue=	1	
11	JAP2156	Bushing, 1 13/32" OD x 1 1/4" ID x 1 1/4"	2	
12	JAM4536B	Insert Latch, Nurse Tank Hitch =Black=	1	
13	91160	Grease Zerk 1/4"-28 STT	1	
14	JAM4539	Latch =Black=	1	
15	JAM4540	Backing Plate, Transport Chain Loop, Std Nurse Tank Hitch	1	
16	JAM6230	Chain Attachment Bracket Weldment =Black=	1	
17	JAM6233	Flipper Hitch, Standard, Nurse Tank Hitch =Black=	1	
18	JAM6272BB	Hitch, Nurse Tank, Main Frame =Blu-Jet Blue=	1	
19	JAP2585	Decal, Hitch Capacity 25,000 Lbs.	2	
20	JBM3465	Pin, 1 1/4" x 7 3/4"	1	
21	JBM3551	Pin, 1" Dia. x 15 11/16"	1	
22	JBP3215	Machinery Bushing, 1 1/2" OD x 1" ID x 14GA	2	

### SuperShooter III Connection - Single 1.25" Plumbing

Please visit [www.unverferth.com/parts/](http://www.unverferth.com/parts/) for the most current parts listing.



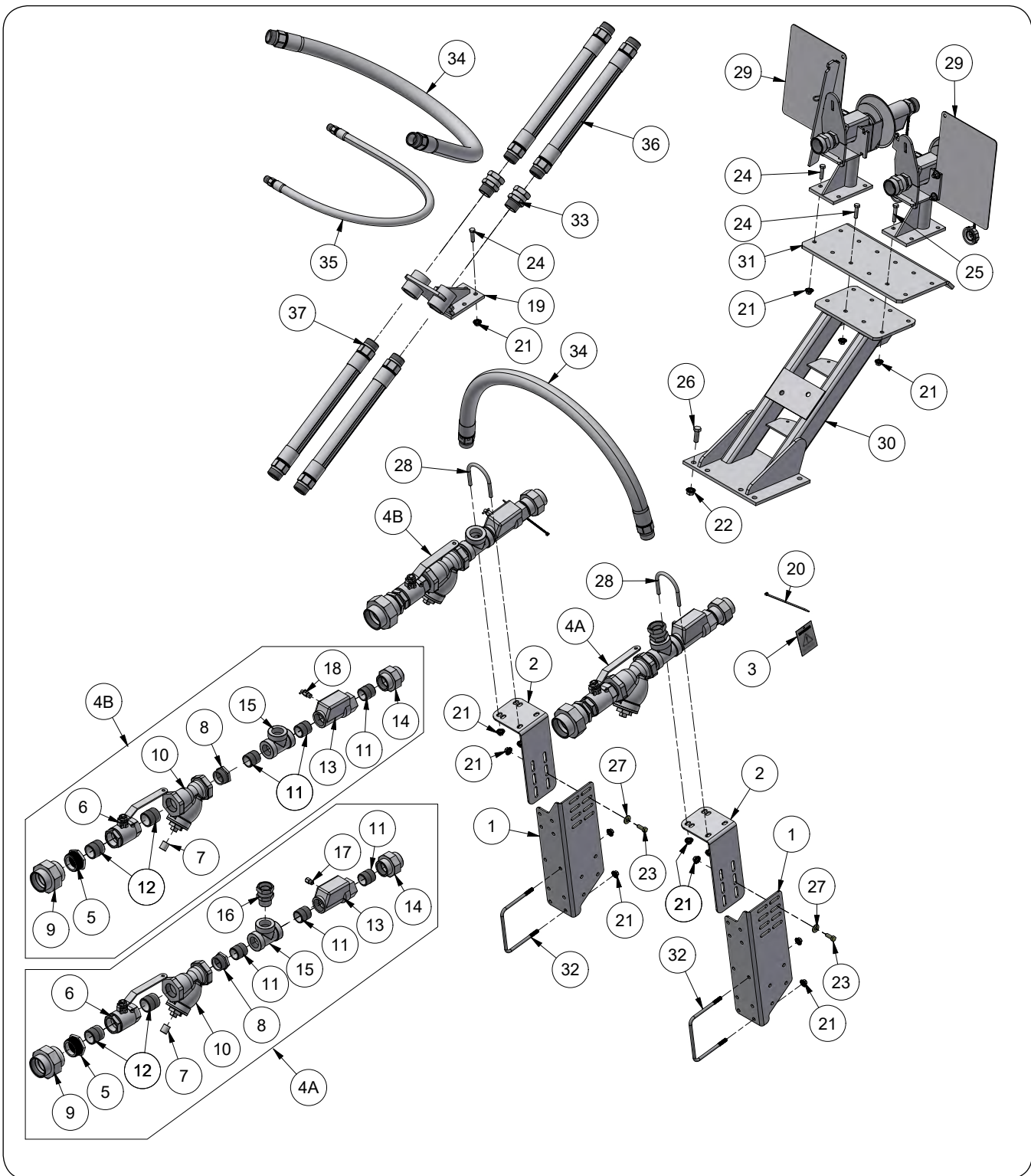
### SuperShooter III Connection - Single 1.25" Plumbing

Please visit [www.unverferth.com/parts/](http://www.unverferth.com/parts/) for the most current parts listing.

ITEM	PART NUMBER	DESCRIPTION	QTY	NOTES
	46489B	NH3 Supply Assembly, Less Hoses - 1.25" Plumbing	-	Includes Items 1-27
1	44258B	Support Mounting Plate	1	
2	44260B	Inlet Plumbing Support Plate	1	
3	44568	Leak Test Tag (Double Sided)	1	
4	44635	NH3 Supply Plumbing Assembly - Single 1.25"	1	Includes Items 5-13
5	9503331	Hex Reducer Bushing, 2-11.5 NPT Male x 1 1/2-11.5 NPT Female	1	
6	9503342	Manual Ball Valve, 1 1/2" (Stainless Steel)	1	
7	9503749	Strainer Magnet, 7/8" Dia. x 1"	1	
8	JCP2584	Hex Reducer Bushing, 1 1/2-11.5 NPT Male x 1 1/4-11.5 NPT Female	1	
9	JCP2722	Pipe Union, 2-11.5 NPT Female Both Ends	1	
10	JCP2723	NH3 Strainer "Y", 20 Mesh (Stainless Steel Screen)	1	
11	JCP2727	Nipple, 1 1/4-11.5 NPT Male x 1 5/8 (Close)	1	
12	JCP2728	Nipple, 1 1/2-11.5 NPT male x 1 3/4 (Close)	2	
13	JCP2893	Pipe Union, 1 1/4-11.5 NPT Female x 1 1/4-11.5 NPT Female	1	
14	47781B	Coupler Bracket, Single 1 1/4" NPT	1	
15	47992B	Plumbing Support Plate Weldment	1	
16	9000106	Cable Tie, 7 1/2"	1	
17	91263	Nut/Large Flange, 3/8"-16UNC	10	
18	91267	Flange Nut, 1/2"-13UNC	6	
19	9390-055	Capscrew, 3/8"-16UNC x 1" G5	4	
20	9390-057	Capscrew, 3/8"-16UNC x 1 1/2" G5	8	
21	9390-101	Capscrew, 1/2"-13UNC x 1 1/2" G5	6	
22	9405-076	Flat Washer, 3/8" USS	4	
23	JAAM3514	Nurse Tank Connection - 1.25" Connection	1	
24	JAM6277	Nurse Tank Connection Riser Weldment	1	
25	JBP3045	U-Bolt, 3/8"-16UNC x 5", 6 7/16" C/C	2	
26	JDP4397	Pipe Swivel Union, 1 1/4"-11.5 NPT Male x 1 1/4"-11.5 NPTSM Female	1	
27	TA1-902545-0	U-Bolt, 3/8"-16UNC x 3 7/16", 2 3/4" C/C	1	
28	9504900	NH3 Hose, 1 1/4" x 64", 1 1/4-11.5 NPTF Male x 1 1/4-11.5 NPTF Male, 350 PSI	1	
29	JCP2593	NH3 Hose, 1 1/4" x 64", 1 1/4-11.5 NPTF Male x 1 1/4-11.5 NPTF Male, 350 PSI	1	
30	JCP2890	NH3 Hose, 1 1/4" x 120", 1 1/4-11.5 NPTF Male x 1 1/4-11.5 NPTF Male, 350 PSI	1	

**SuperShooter III Connection - Double 1.25" Plumbing/Dual Coolers**

Please visit [www.unverferth.com/parts/](http://www.unverferth.com/parts/) for the most current parts listing.



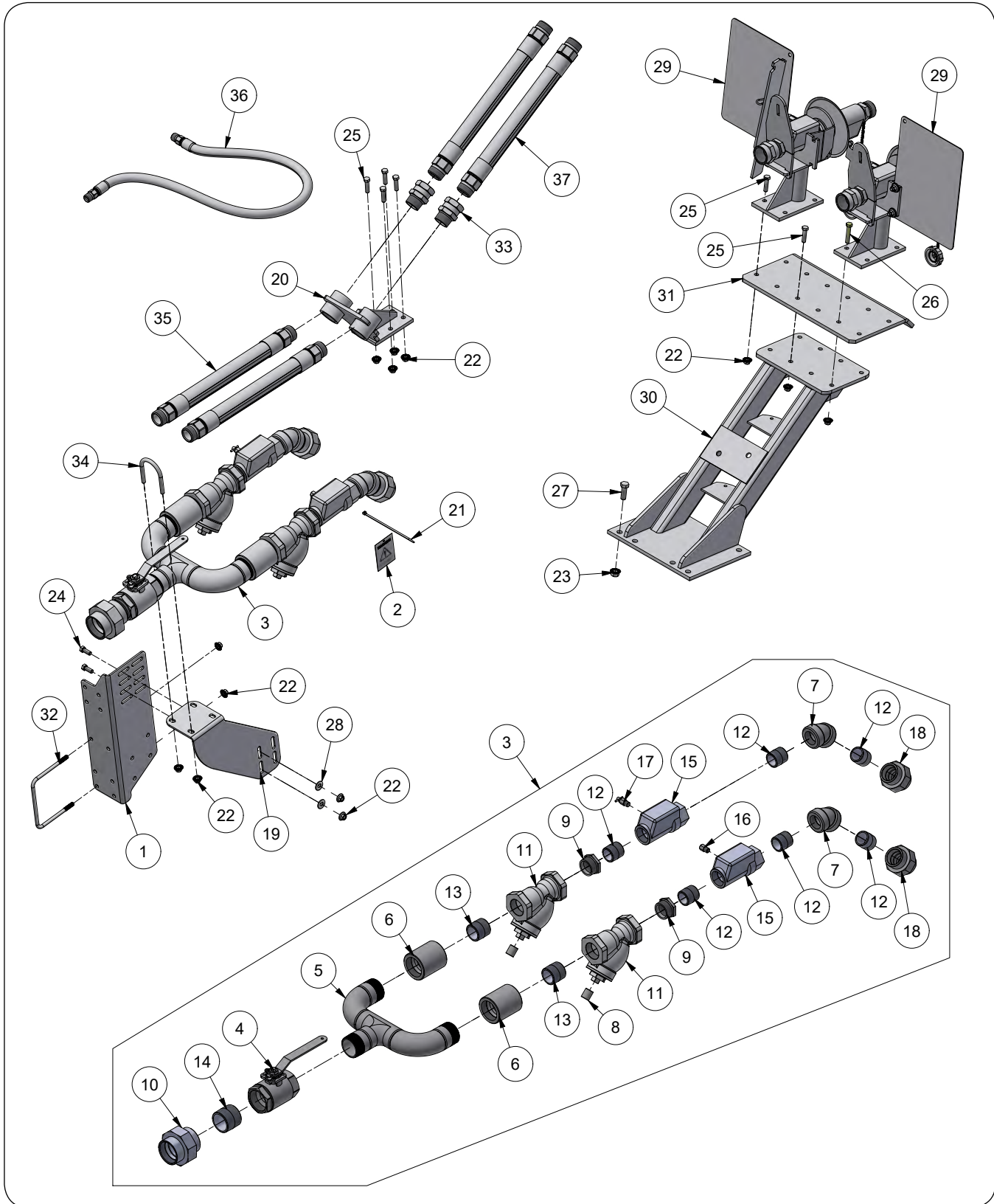
### SuperShooter III Connection - Double 1.25" Plumbing/Dual Coolers

Please visit [www.unverferth.com/parts/](http://www.unverferth.com/parts/) for the most current parts listing.

ITEM	PART NUMBER	DESCRIPTION	QTY	NOTES
	46665B	NH3 Supply Assembly, Less Hoses - 1.25" Plumbing/Dual Coolers	-	Includes Items 1-33
1	44258B	Support Mounting Plate	2	
2	44260B	Inlet Plumbing Support Plate	2	
3	44568	Leak Test Tag (Double Sided)	2	
4A	44737	NH3 Supply Plumbing Assembly - Single 1.25" Left-Hand	1	Includes Items 5-17
4B	44738	NH3 Supply Plumbing Assembly - Single 1.25" Right-Hand	1	Includes Items 5-15 & 18
5	9503331	Hex Reducer Bushing, 2-11.5 NPT Male x 1 1/2-11.5 NPT Female	1	
6	9503342	Manual Ball Valve 1 1/2" (Stainless Steel)	1	
7	9503749	Strainer Magnet, 7/8" Dia. x 1"	1	
8	JCP2584	Reducer Bushing, 1 1/2-11.5 NPT Male x 1 1/4-11.5 NPT Female	1	
9	JCP2722	Pipe Union, 2-11.5 NPT Female Both Ends	1	
10	JCP2723	NH3 Strainer "Y", 1 1/2-11.5 NPT (20 Mesh Stainless Steel Screen)	1	
11	JCP2727	Nipple, 1 1/4-11.5 NPT Male x 1 5/8 (Close)	3	
12	JCP2728	Nipple, 1 1/2-11.5 NPT Male x 1 3/4 (Close)	2	
13	JCP2735	Ball Check Valve, 1 1/4" Full Port Swing Valve	1	
14	JCP2893	Pipe Union, 1 1/4-11.5 NPT Female x 1 1/4-11.5 NPT Female	1	
15	JDP4037	Pipe Tee, 1 1/4-11.5 NPT Female	1	
16	JDP4397	Pipe Swivel Union, 1 1/4-11.5 NPT Male x 1 1/4-11.5 NPSM Female	1	
17	JCP2837	Hydrostatic Relief Valve (350 PSI)	1	
18	JCP2838	Bleeder Valve 1/4-18 NPT w/T-Handle	1	
19	47705B	Coupler Bracket, Double 1 1/4" NPT	1	
20	9000106	Cable Tie, 7 1/2"	2	
21	91263	Nut/Large Flange, 3/8"-16UNC	36	
22	91267	Flange Nut, 1/2"-13UNC	6	
23	9390-055	Capscrew, 3/8"-16UNC x 1" G5	8	
24	9390-057	Capscrew, 3/8"-16UNC x 1 1/2" G5	12	
25	9390-059	Capscrew, 3/8"-16UNC x 2" G5	4	
26	9390-101	Capscrew, 1/2"-13UNC x 1 1/2" G5	6	
27	9405-076	Flat Washer, 3/8" USS	8	
28	9503501	U-Bolt, 3/8"-16UNC x 3 5/8", 3 3/8" C/C	2	
29	JAAM3514	Nurse Tank Connection - 1.25" Connection	2	
30	JAM6277	Nurse Tank Connection Riser Weldment	1	
31	JAM7664	Mounting Plate, 10" x 16 1/2" =Black=	1	
32	JBP3045	U-Bolt, 3/8"-16UNC x 5", 6 7/16" C/C	4	
33	JDP4397	Pipe Swivel Union, 1 1/4"-11.5 NPT Male x 1 1/4"-11.5 NPTSM Female	2	
34	9503382	NH3 Hose, 1 1/4" x 48", 1 1/4-11.5 NPTF Male x 1 1/4-11.5 NPTF Male, 350 PSI	2	
35	9504900	NH3 Hose, 1/2" x 48", 1/2-14 NPTF Male x 1/2-14 NPTF Male, 350 PSI	2	
36	JCP2593	NH3 Hose, 1 1/4" x 64", 1 1/4-11.5 NPTF Male x 1 1/4-11.5 NPTF Male, 350 PSI	2	
37	JCP2890	NH3 Hose, 1 1/4" x 120", 1 1/4-11.5 NPTF Male x 1 1/4-11.5 NPTF Male, 350 PSI	2	

**SuperShooter III Connection - Double 1.25" Plumbing**

Please visit [www.unverferth.com/parts/](http://www.unverferth.com/parts/) for the most current parts listing.





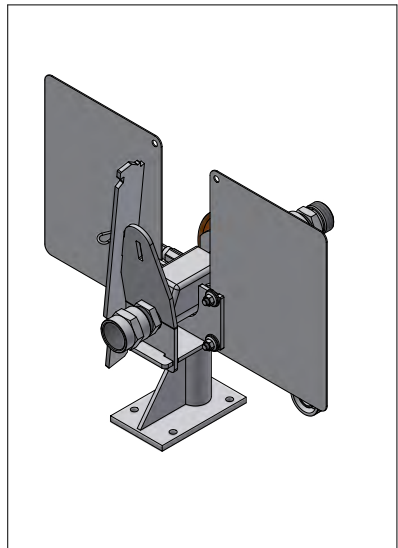
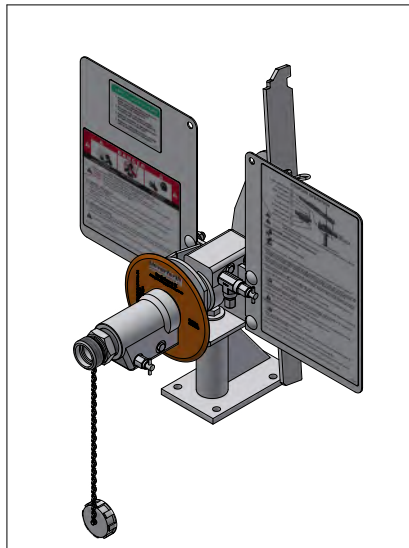
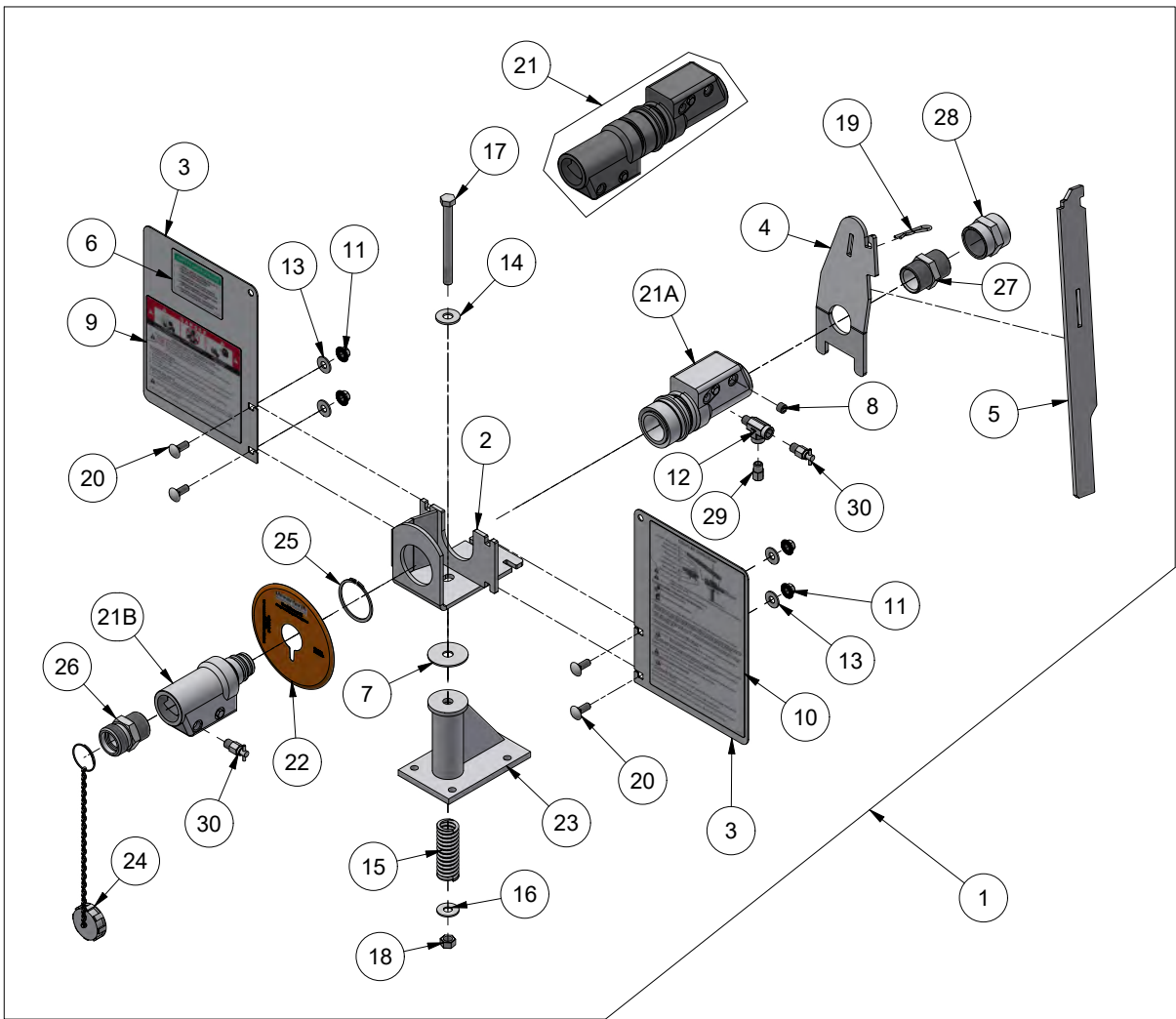
## SuperShooter III Connection - Double 1.25" Plumbing

Please visit [www.unverferth.com/parts/](http://www.unverferth.com/parts/) for the most current parts listing.

ITEM	PART NUMBER	DESCRIPTION	QTY	NOTES
	46490B	NH3 Supply Assembly, Less Hoses - 1.25" Plumbing	-	Includes Items 1-34
1	44258B	Support Mounting Plate	1	
2	44568	Leak Test Tag (Double Sided)	2	
3	44678	NH3 Supply Plumbing Assembly - Double 1.25"	1	Includes Items 4-18
4	9503346	Manual Ball Valve 2" (Stainless Steel)	1	
5	9503347	Inlet Manifold 2" NPT Weldment (Stainless Steel)	1	
6	9503477	Reducer Coupling, 2-11.5 NPT Female x 1 1/2-11.5 NPT Female	2	
7	9503478	45° Elbow, 1 1/4-11.5 NPT Female x 1 1/4-11.5 NPT Female	2	
8	9503749	Strainer Magnet, 7/8" Dia. x 1"	2	
9	JCP2584	Hex Reducer Bushing, 1 1/2-11.5 NPT Male x 1 1/4-11.5 NPT Female	2	
10	JCP2722	Pipe Union, 2-11.5 NPT Female Both Ends	1	
11	JCP2723	NH3 Strainer "Y", 20 Mesh (Stainless Steel Screen)	2	
12	JCP2727	Nipple, 1 1/4-11.5 NPT Male x 1 5/8 (Close)	6	
13	JCP2728	Nipple, 1 1/2-11.5 NPT Male x 1 3/4 (Close)	2	
14	JCP2729	Nipple, 2-11.5 NPT Male x 2 (Close)	1	
15	JCP2735	Back Check Valve	2	
16	JCP2837	Hydrostatic Relief Valve	1	
17	JCP2838	Bleeder Valve, 1/4-18 NPT w/T-Handle	1	
18	JCP2893	Pipe Union, 1 1/4-11.5 NPT Female x 1 1/4-11.5 NPT Female	2	
19	46182B	Inlet Plumbing Support Plate	1	
20	47705B	Double Coupler Bracket Weldment, 1 1/4" NPT	1	
21	9000106	Cable Tie, 7 1/2"	2	
22	91263	Nut/Large Flange, 3/8"-16UNC	10	
23	91267	Flange Nut, 1/2"-13UNC	6	
24	9390-055	Capscrew, 3/8"-16UNC x 1" G5	4	
25	9390-057	Capscrew, 3/8"-16UNC x 1 1/2" G5	16	
26	9390-059	Capscrew, 3/8"-16UNC x 2" G5	4	
27	9390-101	Capscrew, 1/2"-13UNC x 1 1/2" G5	6	
28	9405-076	Flat Washer, 3/8" USS	4	
29	JAAM3514	Nurse Tank Connection - 1.25" Connection	2	
30	JAM6277	Nurse Tank Connection Riser Weldment	1	
31	JAM7664	Mounting Plate, 10" x 16 1/2"	1	
32	JBP3045	U-Bolt, 3/8"-16UNC x 5", 6 7/16" C/C	2	
33	JDP4397	Pipe Swivel Union, 1 1/4"-11.5 NPT Male x 1 1/4"-11.5 NPTSM Female	2	
34	TA1-902545-0	U-Bolt, 3/8"-16UNC x 3 7/16", 2 3/4" C/C	1	
35	9503903	NH3 Hose, 1 1/4" x 108", 1 1/4-11.5 NPTF Male x 1 1/4-11.5 NPTF Male, 350 PSI	2	
36	9504900	NH3 Hose, 1/2" x 48", 1/2-14 NPTF Male x 1/2-14 NPTF Male, 350 PSI	1	
37	JCP2593	NH3 Hose, 1 1/4" x 64", 1 1/4-11.5 NPTF Male x 1 1/4-11.5 NPTF Male, 350 PSI	2	

**SuperShooter III Components - 1.25" Connection (JAAM3514)**

Please visit [www.unverferth.com/parts/](http://www.unverferth.com/parts/) for the most current parts listing.



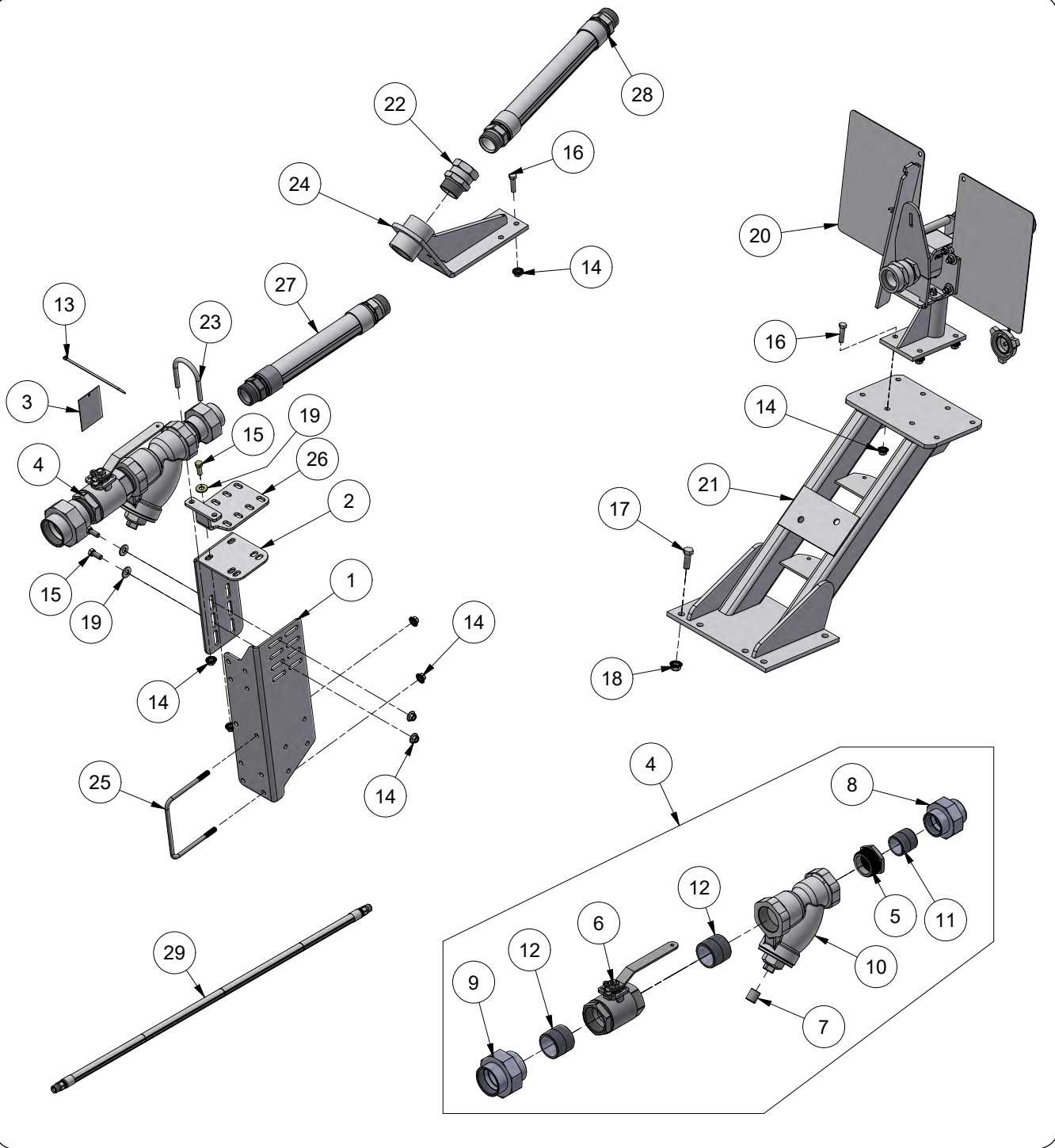
**SuperShooter III Components - 1.25" Connection (JAAM3514)**

Please visit [www.unverferth.com/parts/](http://www.unverferth.com/parts/) for the most current parts listing.

ITEM	PART NUMBER	DESCRIPTION	QTY	NOTES
1	JAAM3514	SuperShooter III / 1 1/4" Squibb Coupler / Bodyguard III	-	Includes Items 2-32
2	JAM7634	Valve Mounting Weldment	1	
3	JAM7635	Decal Plate	2	
4	JAM7660	Coupler Release Plate	1	
5	JAM7661	Coupler Release Handle	1	
6	JAP2227	Decal, Safety Instruction, NH3	1	
7	JAP2418	Spring Retainer Washer	1	
8	JDP4657	Hollow Hex Pipe Plug, 1/4"-18 NPT, Stainless Steel	1	
9	JAP2973	Decal, SuperShooters III, Hook-Up Instructions	1	
10	JAP2974	Decal, SuperShooter III, Squibb Coupler Operation	1	
11	9394-006	Hex Nut, 3/8"-16UNC	4	
12	TA0-934667-0	Street Tee, 1/4"-18 NPTF Male x 1/4"-18 NPTF Female x 1/4"-18 NPT Female	1	
13	9405-074	Flat Washer, 3/8" SAE	4	
14	9405-088	Flat Washer, 1/2" USS	1	
15	JBP3084	Compression Spring 1.25" Dia. x 4 1/2"	1	
16	9405-082	Flat Washer, 7/16" USS	1	
17	9390-114	Capscrew, 1/2"-13UNC x 5 1/2" G5	1	
18	94981	Locknut/Center, 1/2"-13UNC	1	
19	JBP3504	Hairpin Cotter 1/8" Dia. x 2 1/2"	1	
20	9388-051	Carriage Bolt, 3/8"-16UNC x 1" G5	4	
21	JCCP2403	Flo-Max 1 1/4" Coupler Set Less Bracket, FM126-1000	1	Includes Items 21A & 21B
	JCP2457	Flo-Max 1 1/4" Coupler O-Ring Kit	-	
21A	JCP2405	Flo-Max 1 1/4" Coupler Female Half, SFM125/126-1100	1	
21B	JCP2406	Flo-Max 1 1/4" Coupler Male Half, SFM125/126-1200	1	
22	9503899	Body Guard, SuperShooter 1 1/4", Smooth Gloss Polycarbonate Orange w/Black Screen Print	1	
23	JCM2320	SuperShooter Pedestal Weldment	1	
24	JCP2401	Dust Cap with Chain	1	
25	JCP2416	Snap Ring For Flo-Max 1 1/4" Coupler	1	
26	JCP2423	ACME Adapter 1 1/4" MPT x 1 3/4" AM	1	
27	JCP2522	Hex Nipple, 1 1/4" NPT, 3000 PSI Trivalent	1	
28	JCP2566	Coupling, 1 1/4" FPT., Steel	1	
29	JCP2837	Hydrostatic Relief Valve, Pressure Relief Set At 350 PSI Inlet 1/4"-18 NPT	1	
30	JCP2838	Bleeder Valve 1/4"-18 NPT w/T-Handle	2	

### SuperShooter III Connection - Single 1.5" Plumbing

Please visit [www.unverferth.com/parts/](http://www.unverferth.com/parts/) for the most current parts listing.



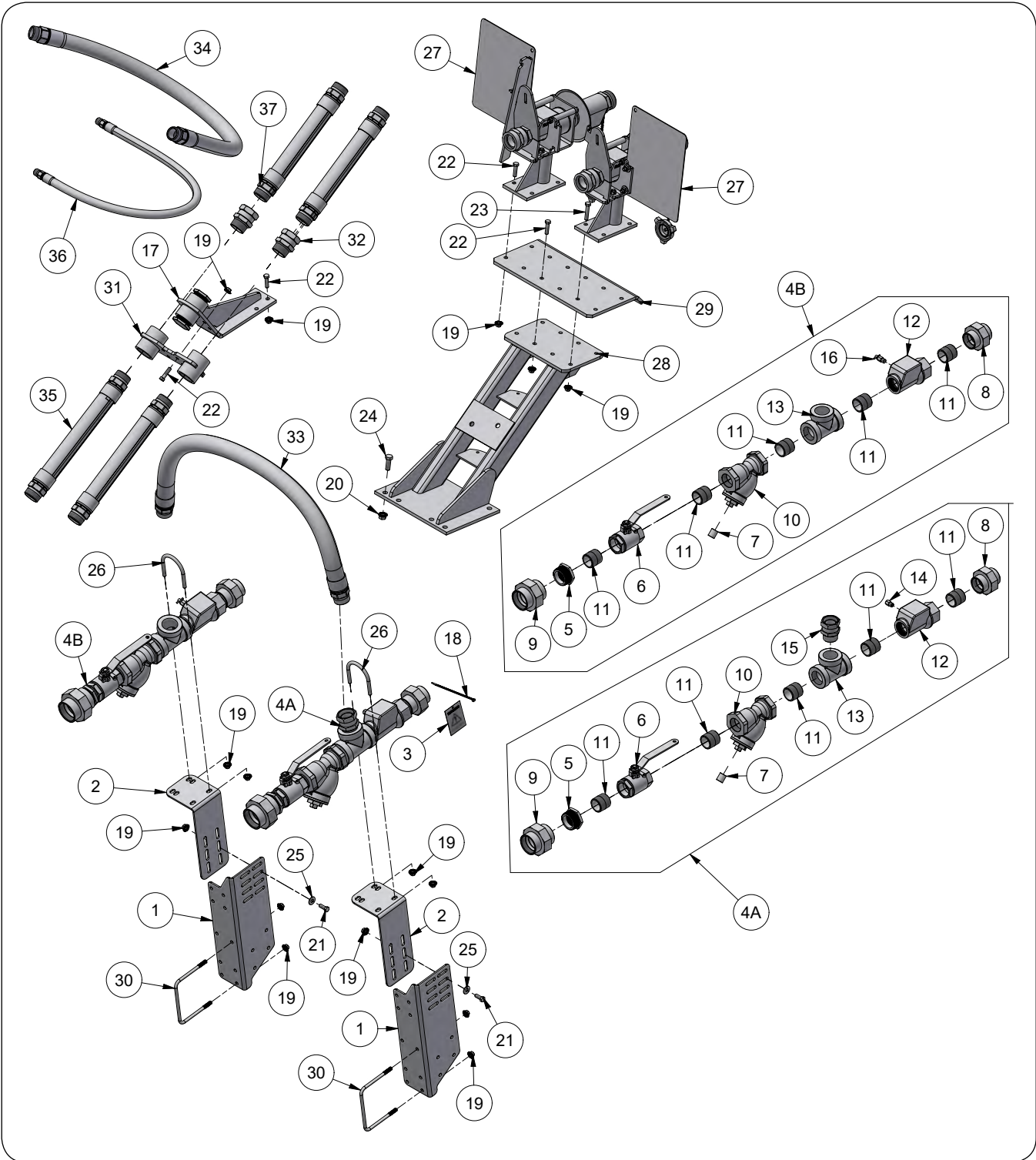
## SuperShooter III Connection - Single 1.5" Plumbing

**Please visit [www.unverferth.com/parts/](http://www.unverferth.com/parts/) for the most current parts listing.**

ITEM	PART NUMBER	DESCRIPTION	QTY	NOTES	
	46491B	NH3 Supply Assembly, Less Hoses - 1.5" Plumbing	-	Includes Items 1-26	
1	44258B	Support Mounting Plate	1		
2	44260B	Inlet Plumbing Support Plate	1		
3	44568	Leak Test Tag (Double Sided)	1		
4	44690	NH3 Supply Plumbing Assembly - Single 1.5"	1	Includes Items 5-12	
	5	9503331	Hex Reducer Bushing, 2-11.5 NPT Male x 1 1/2-11.5 NPT Female	1	
	6	9503346	Manual Ball Valve 2" (Stainless Steel)	1	
	7	9503749	Strainer Magnet, 7/8" Dia. x 1"	1	
	8	JCP2721	Pipe Union, 1 1/2-11.5 NPT Female Both Ends	1	
	9	JCP2722	Pipe Union, 2-11.5 NPT Female Both Ends	1	
	10	JCP2724	NH3 Strainer "Y", 2-11.5 NPT (20 Mesh Stainless Steel Screen)	1	
	11	JCP2728	Nipple, 1 1/2-11.5 NPT Male x 1 3/4 (Close)	1	
	12	JCP2729	Nipple, 2-11.5 NPT Male x 2 (Close)	2	
13	9000106	Cable Tie, 7 1/2"	1		
14	91263	Nut/Large Flange, 3/8"-16UNC	22		
15	9390-055	Capscrew, 3/8"-16UNC x 1" G5	8		
16	9390-057	Capscrew, 3/8"-16UNC x 1 1/2" G5	8		
17	9390-101	Capscrew, 1/2"-13UNC x 1 1/2" G5	6		
18	91267	Flange Nut, 1/2"-13UNC	8		
19	9405-076	Flat Washer, 3/8" USS	8		
20	JAAM3516	Nurse Tank Connection - 1.5" Connection	1		
21	JAM6277	Nurse Tank Connection Riser Weldment	1		
22	JDP4675	Pipe Swivel Union, 1 1/2"-11.5 NPT Male x 1 1/2"-11.5 NPTSM Female	1		
23	TA1-902545-0	U-Bolt, 3/8"-16UNC x 3 7/16", 2 3/4" C/C	1		
24	47778B	Coupler Bracket, Single 1 1/2" NPT	1		
25	JBP3045	U-Bolt, 3/8"-16UNC x 5", 6 7/16" C/C	2		
26	47992B	Plumbing Support	1		
27	9503378	NH3 Hose, 1 1/2" x 120", 1 1/2-11.5 NPTF Male x 1 1/2-11.5 NPTF Male, 350 PSI	1		
28	JCP2595	NH3 Hose, 1 1/2" x 72", 1 1/2-11.5 NPTF Male x 1 1/2-11.5 NPTF Male, 350 PSI	1		
29	9504900	NH3 Hose, 1/2" x 48", 1/2-14 NPTF Male x 1/2-14 NPTF Male, 350 PSI	1		

**SuperShooter III Connection - Double 1.5" Plumbing/Dual Coolers**

Please visit [www.unverferth.com/parts/](http://www.unverferth.com/parts/) for the most current parts listing.

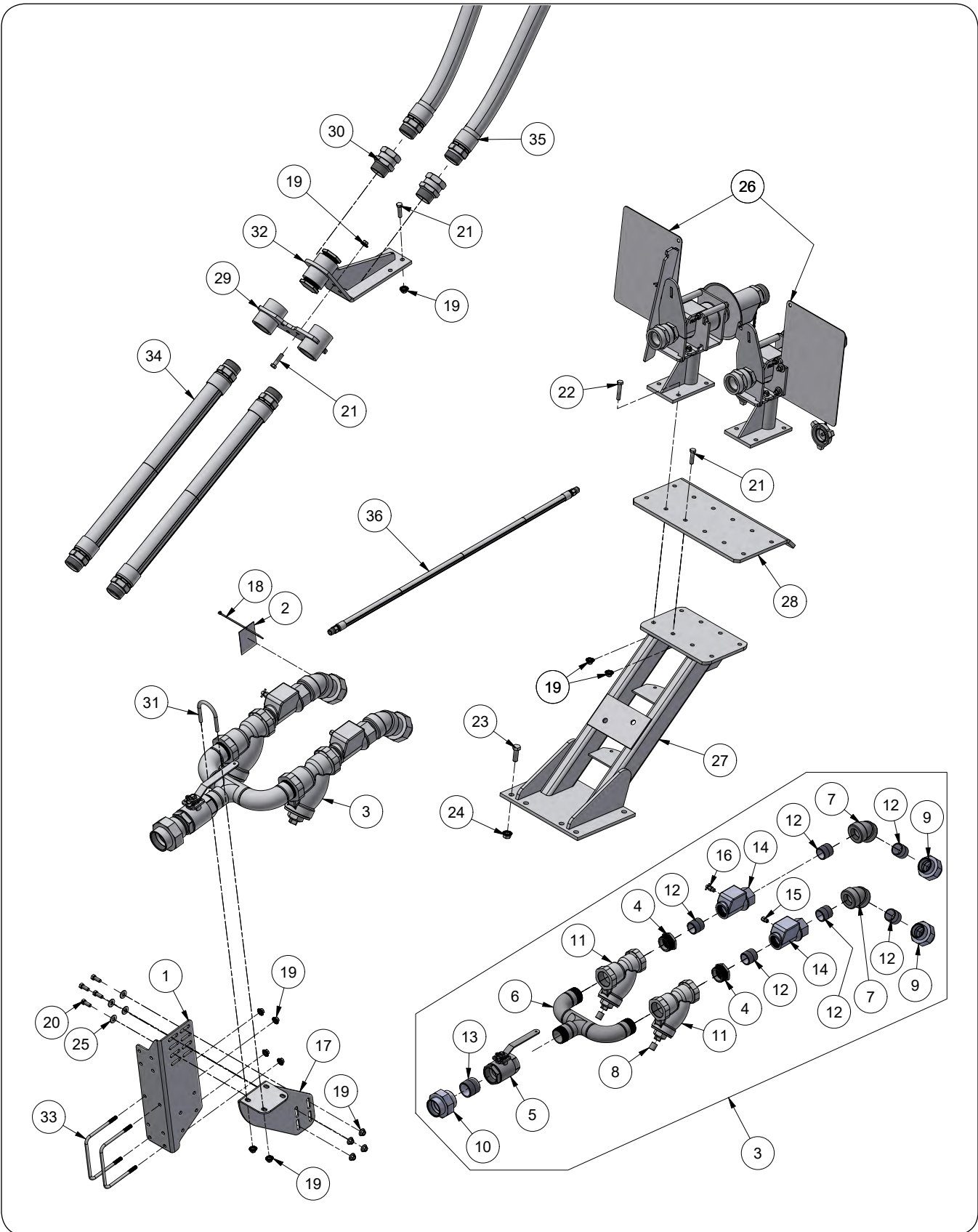


**SuperShooter III Connection - Double 1.5" Plumbing/Dual Coolers**Please visit [www.unverferth.com/parts/](http://www.unverferth.com/parts/) for the most current parts listing.

ITEM	PART NUMBER	DESCRIPTION	QTY	NOTES	
	46666B	NH3 Supply Assembly, Less Hoses - 1.5" Plumbing/Dual Coolers	-	Includes Items 1-32	
1	44258B	Support Mounting Plate	1		
2	44260B	Inlet Plumbing Support Plate	1		
3	44568	Leak Test Tag (Double Sided)	1		
4A	44708	NH3 Supply Plumbing Assembly - Single 1.5" Left-Hand	1	Includes Items 5-15	
4B	44709	NH3 Supply Plumbing Assembly - Single 1.5" Right-Hand	1	Includes Items 5-13 & 16	
	5	9503331	Hex Reducer Bushing, 2-11.5 NPT Male x 1 1/2-11.5 NPT Female	1	
	6	9503342	Manual Ball Valve 1 1/2" (Stainless Steel)	1	
	7	9503749	Strainer Magnet, 7/8" Dia. x 1"	1	
	8	JCP2721	Pipe Union, 1 1/2-11.5 NPT Female Both Ends	1	
	9	JCP2722	Pipe Union, 2-11.5 NPT Female Both Ends	1	
	10	JCP2723	NH3 Strainer "Y", 1 1/2-11.5 NPT (20 Mesh Stainless Steel Screen)	1	
	11	JCP2728	Nipple, 1 1/2-11.5 NPT Male x 1 3/4 (Close)	5	
	12	JCP2736	Ball Check Valve, 1 1/2" Full Port Swing Valve	1	
	13	JCP2738	Pipe Tee, 1 1/2-11.5 NPT Female	1	
	14	JCP2837	Hydrostatic Relief Valve (350 PSI)	1	
	15	JDP4675	Pipe Swivel Union, 1 1/2-11.5 NPT Male x 1 1/2-11.5 NPSM Female	1	
	16	JCP2838	Bleeder Valve 1/4-18 NPT w/T-Handle	1	
17	47778B	Coupler Bracket, Single 1 1/2" NPT	1		
18	9000106	Cable Tie, 7 1/2"	2		
19	91263	Nut/Large Flange, 3/8"-16UNC	40		
20	91267	Flange Nut, 1/2"-13UNC	6		
21	9390-055	Capscrew, 3/8"-16UNC x 1" G5	8		
22	9390-057	Capscrew, 3/8"-16UNC x 1 1/2" G5	16		
23	9390-059	Capscrew, 3/8"-16UNC x 2" G5	4		
24	9390-101	Capscrew, 1/2"-13UNC x 1 1/2" G5	6		
25	9405-076	Flat Washer, 3/8" USS	8		
26	9503501	U-Bolt, 3/8"-16UNC x 3 5/8", 3 3/8" C/C	2		
27	JAAM3516	Nurse Tank Connection - 1.5" Connection	2		
28	JAM6277	Nurse Tank Connection Riser Weldment	1		
29	JAM7664	Mounting Plate, 10" x 16 1/2" =Black=	1		
30	JBP3045	U-Bolt, 3/8"-16UNC x 5", 6 7/16" C/C	4		
31	JCM2325	Coupler Bracket, Double - 1 1/2" NPT	1		
32	JDP4675	Pipe Swivel Union, 1 1/2"-11.5 NPT Male x 1 1/2"-11.5 NPTSM Female	2		
33	9503381	NH3 Hose, 1 1/2" x 48", 1 1/2-11.5 NPTF Male x 1 1/2-11.5 NPTF Male, 350 PSI	1		
34	9503382	NH3 Hose, 1 1/4" x 48", 1 1/4-11.5 NPTF Male x 1 1/4-11.5 NPTF Male, 350 PSI	1		
35	9503906	NH3 Hose, 1 1/2" x 108", 1 1/2-11.5 NPTF Male x 1 1/2-11.5 NPTF Male, 350 PSI	2		
36	9504900	NH3 Hose, 1/2" x 48", 1/2-14 NPTF Male x 1/2-14 NPTF Male, 350 PSI	2		
37	JCP2595	NH3 Hose, 1 1/2" x 72", 1 1/2-11.5 NPTF Male x 1 1/2-11.5 NPTF Male, 350 PSI	2		

### SuperShooter III Connection - Double 1.5" Plumbing

Please visit [www.unverferth.com/parts/](http://www.unverferth.com/parts/) for the most current parts listing.





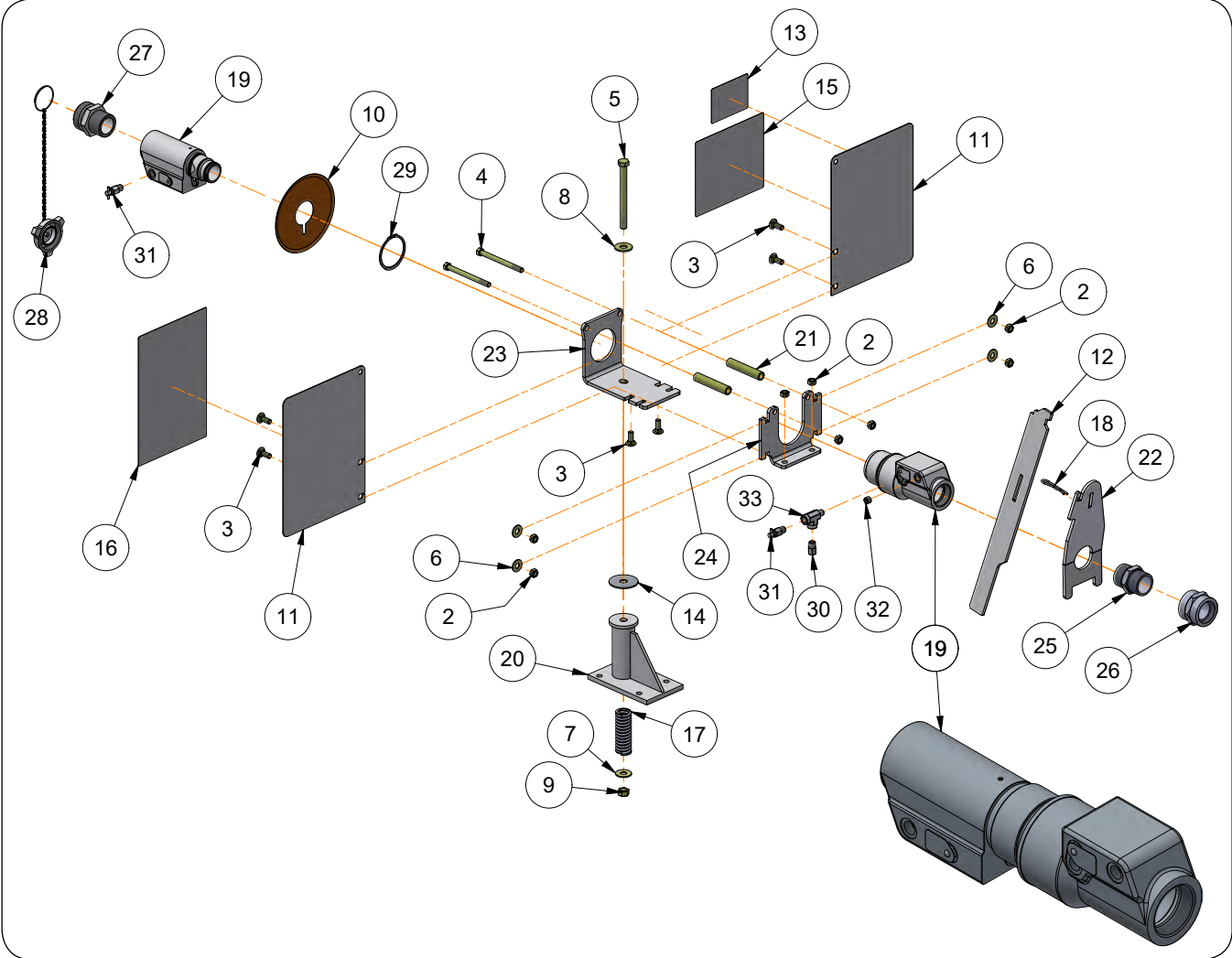
## SuperShooter III Connection - Double 1.5" Plumbing

**Please visit [www.unverferth.com/parts/](http://www.unverferth.com/parts/) for the most current parts listing.**

ITEM	PART NUMBER	DESCRIPTION	QTY	NOTES
	46492B	NH3 Supply Assembly, Less Hoses - 1.5" Plumbing	-	Includes Items 1-33
1	44258B	Support Mounting Plate	1	
2	44568	Leak Test Tag (Double Sided)	2	
3	44679	NH3 Supply Plumbing Assembly - Double 1.5"	1	Includes Items 4-16
4	9503331	Hex Reducer Bushing, 2-11.5 NPT Male x 1 1/2-11.5 NPT Female	2	
5	9503346	Manual Ball Valve 2" (Stainless Steel)	1	
6	9503347	Inlet Manifold 2" NPT Weldment (Stainless Steel)	1	
7	9503479	45° Elbow, 1 1/2-11.5 NPT Female x 1 1/2-11.5 NPT Female	2	
8	9503749	Strainer Magnet, 7/8" Dia. x 1"	2	
9	JCP2721	Pipe Union, 1 1/2-11.5 NPT Female Both Ends	2	
10	JCP2722	Pipe Union, 2-11.5 NPT Female Both Ends	1	
11	JCP2724	NH3 Strainer "Y", 2-11.5 NPT (20 Mesh Stainless Steel Screen)	2	
12	JCP2728	Nipple, 1 1/2-11.5 NPT Male x 1 3/4 (Close)	6	
13	JCP2729	Nipple, 2-11.5 NPT Male x 2 (Close)	1	
14	JCP2736	Back Check Valve, 1 1/2 Full Port Swing Valve 1 1/2-11.5 NPT Female	2	
15	JCP2837	Hydrostatic Relief Valve	1	
16	JCP2838	Bleeder Valve 1/4-18 NPT w/T-Handle	1	
17	44278B	Inlet Plumbing Support Plate	1	
18	9000106	Cable Tie, 7 1/2"	2	
19	91263	Nut/Large Flange, 3/8"-16UNC	10	
20	9390-055	Capscrew, 3/8"-16UNC x 1" G5	4	
21	9390-057	Capscrew, 3/8"-16UNC x 1 1/2" G5	16	
22	9390-059	Capscrew, 3/8"-16UNC x 2" G5	4	
23	9390-101	Capscrew, 1/2"-13UNC x 1 1/2" G5	6	
24	91267	Flange Nut, 1/2"-13UNC	20	
25	9405-076	Flat Washer, 3/8" USS	4	
26	JAAM3516	Nurse Tank Connection - 1.5" Connection	2	
27	JAM6277	Nurse Tank Connection Riser Weldment	1	
28	JAM7664	Mounting Plate, 10" x 16 1/2"	1	
29	JCM2325	Coupler Bracket, Double 1 1/2" NPT	1	
30	JDP4675	Pipe Swivel Union, 1 1/2"-11.5 NPT Male x 1 1/2"-11.5 NPTSM Female	2	
31	TA1-902545-0	U-Bolt, 3/8"-16UNC x 3 7/16", 2 3/4" C/C	1	
32	47778B	Coupler Bracket, Single 1 1/2" NPT	1	
33	JBP3045	U-Bolt, 3/8"-16UNC x 5", 6 7/16" C/C	2	
34	9503906	NH3 Hose, 1 1/2" x 108", 1 1/2-11.5 NPTF Male x 1 1/2-11.5 NPTF Male, 350 PSI	2	
35	JCP2595	NH3 Hose, 1 1/2" x 72", 1 1/2-11.5 NPTF Male x 1 1/2-11.5 NPTF Male, 350 PSI	2	
36	9504900	NH3 Hose, 1/2" x 48", 1/2-14 NPTF Male x 1/2-14 NPTF Male, 350 PSI	1	

**SuperShooter III Max Components - 1.5" Connection (JAAM3516)**

Please visit [www.unverferth.com/parts/](http://www.unverferth.com/parts/) for the most current parts listing.



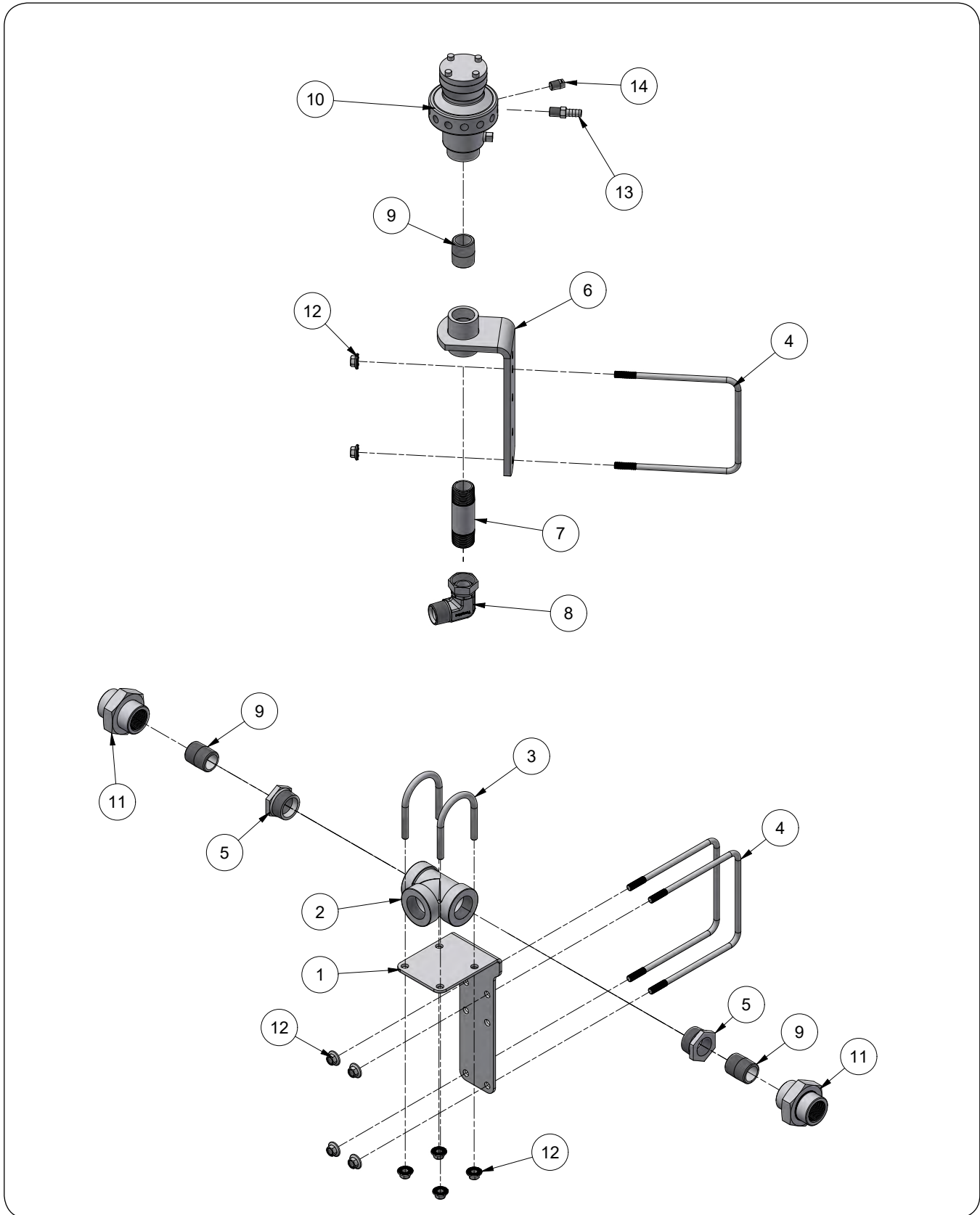
## SuperShooter III Max Components - 1.5" Connection (JAAM3516)

**Please visit [www.unverferth.com/parts/](http://www.unverferth.com/parts/) for the most current parts listing.**

ITEM	PART NUMBER	DESCRIPTION	QTY	NOTES
1	JAAM3516	SuperShooter III Max / 1 1/2" Squibb Coupler / Bodyguard III	-	Includes Items 2-33
2	902875	Locknut/Center, 3/8"-16UNC	8	
3	9388-051	Carriage Bolt, 3/8"-16UNC x 1" G5	6	
4	9390-068	Capscrew, 3/8"-16UNC x 4 1/2" G5	2	
5	9390-114	Capscrew, 1/2"-13UNC x 5 1/2" G5	1	
6	9405-076	Flat Washer, 3/8" USS	4	
7	9405-082	Flat Washer, 7/16" USS	1	
8	9405-088	Flat Washer, 1/2" USS	1	
9	94981	Locknut/Center, 1/2"-13UNC	1	
10	9503900	Body Guard, SuperShooter 1 1/2", Smooth Gloss Polycarbonate Orange w/Black Screen Print	1	
11	JAM7635	Decal Plate	2	
12	JAM7661	Coupler Release Handle	1	
13	JAP2227	Decal, Safety Instruction, NH3	1	
14	JAP2418	Spring Retainer Washer	1	
15	JAP2973	Decal, SuperShooters III, Hook-Up Instructions	1	
16	JAP2974	Decal, SuperShooter III, Squibb Coupler Operation	1	
17	JBP3084	Compression Spring 1.25" Dia. x 4 1/2"	1	
18	JBP3504	Hairpin Cotter 1/8" Dia. x 2 1/2"	1	
19	JCCP2405	Flo-Max 1 1/2" Coupler Set Less Bracket, FM150-1000	1	
	9504234	Flo-Max 1 1/2" Coupler, O-Ring Kit	-	
	JCP2691	Flo-Max 1 1/2" Coupler Female Half, SFM150-1100	-	
	JCP2692	Flo-Max 1 1/2" Coupler Male Half, SFM150-1200	-	
20	JCM2320	SuperShooter Pedestal Weldment	1	
21	JCM2322	Spacer Tube	2	
22	JCM2323	Coupler Release Plate	1	
23	JCM2326	Valve Mounting Plate	1	
24	JCM2327	Decal Mounting Plate	1	
25	JCP2685	Hex Pipe Nipple 1 1/2"-11 1/2" NPTF Male x 1 1/2"-11 1/2" NPTF Male	1	
26	JCP2686	Pipe Coupling 1 1/2"-11 1/2" NPTF Female x 1 1/2"-11 1/2" NPTF Female	1	
	JCP2690	Nitrile Rubber Gasket, 2 1/4"		
27	JCP2688	Adapter NH3, 2 1/4" ACME Male x 1 1/2" MPT	1	
28	JCP2689	Dust Cap 2 1/4" ACME Female w/Chain & Snap Ring	1	
29	JCP2693	Snap Ring 2 11/16" Dia. x .078", External Retaining Ring	1	
30	JCP2837	Hydrostatic Relief Valve, Pressure Relief Set At 350 PSI Inlet 1/4"-18 NPT	1	
31	JCP2838	Bleeder Valve 1/4"-18 NPT w/T-Handle	2	
32	JDP4657	Hollow Hex Pipe Plug, 1/4"-18 NPT, Stainless Steel	1	
33	TA0-934667-0	Street Tee, 1/4"-18 NPTF Male x 1/4"-18 NPTF Female x 1/4"-18 NPT Female	1	

Impellicone and Mounting Hardware - 2 Section John Blue

Please visit [www.unverferth.com/parts/](http://www.unverferth.com/parts/) for the most current parts listing.



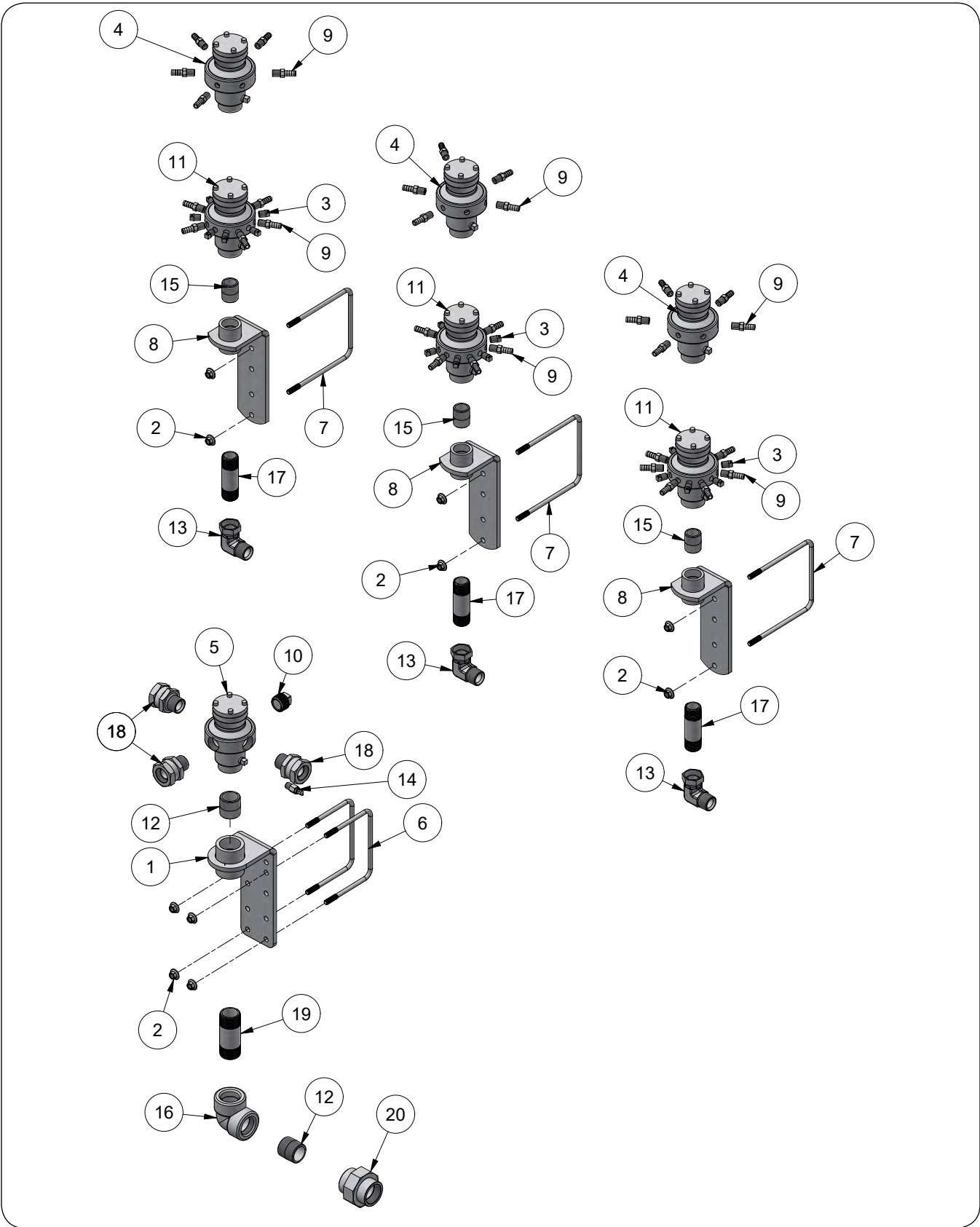
## Impellicone and Mounting Hardware - 2 Section John Blue

Please visit [www.unverferth.com/parts/](http://www.unverferth.com/parts/) for the most current parts listing.

ITEM	PART NUMBER	DESCRIPTION	QTY					
			18 ROW 30"	19 ROW 30"	23 ROW 30"	24 ROW 30"	25 ROW 30"	28 ROW 20"
	43692	NH3 Applicator 2-Section/13-Port	1					-
	43699	NH3 Applicator 2-Section/18-Port	-					1
1	47845B	Distribution Tee Mounting Bracket =Black=	1					1
2	JDP4037	Pipe Tee 1 1/4-11.5 NPT Female	1					1
3	TA1-902545-0	U-Bolt, 3/8"-16UNC x 3 7/16", 2 3/4" C/C	2					2
4	JBP3351	U-Bolt, 3/8"-16UNC x 7", 6 7/16" C/C	4					4
	JBP3214	U-Bolt, 3/8"-16UNC x 7", 4 7/16" C/C	4					4
5	JDP4046	Reducer Bushing, 1 1/4-11.5 NPT Male x 1-11.5 NPT Female	2					2
6	JCM2328	Equa-Flow Mounting Bracket	2					2
7	JDP4130	Nipple, 1-11.5 NPT Male x 4"	2					2
8	JCP2741	90° Elbow, 1-11.5 NPT Male x 1-11.5 NPT Female	2					2
9	JDP4034	Nipple, 1-11.5 NPT Male x 1 9/16"	4					2
10	JCP2564	Impellicone 13 Port Flow Divider Pressure Gauge & Outlet Ports	2					-
	9504212	Replacement Needle	-					-
	9504213	Replacement O-Ring	-					-
	JCP2565	Impellicone 18 Port Flow Divider Pressure Gauge & Outlet Ports	-					2
	9504214	Replacement Needle	-					-
	9504215	Replacement O-Ring	-					-
11	JCP2894	Pipe Union, 1-11.5 NPT Female x 1-11.5 NPT Female	2					2
12	91263	Nut/Large Flange 3/8"-16UNC	12					12
13	JCP2308	Hose Barb 1/4" NPT Male x 3/8" Hose Barb	25					36
14	92350	Plug, 1/4"-18 NPTF Male w/Square Head	14					9

Impellicone and Mounting Hardware - 3 Section John Blue

Please visit [www.unverferth.com/parts/](http://www.unverferth.com/parts/) for the most current parts listing.



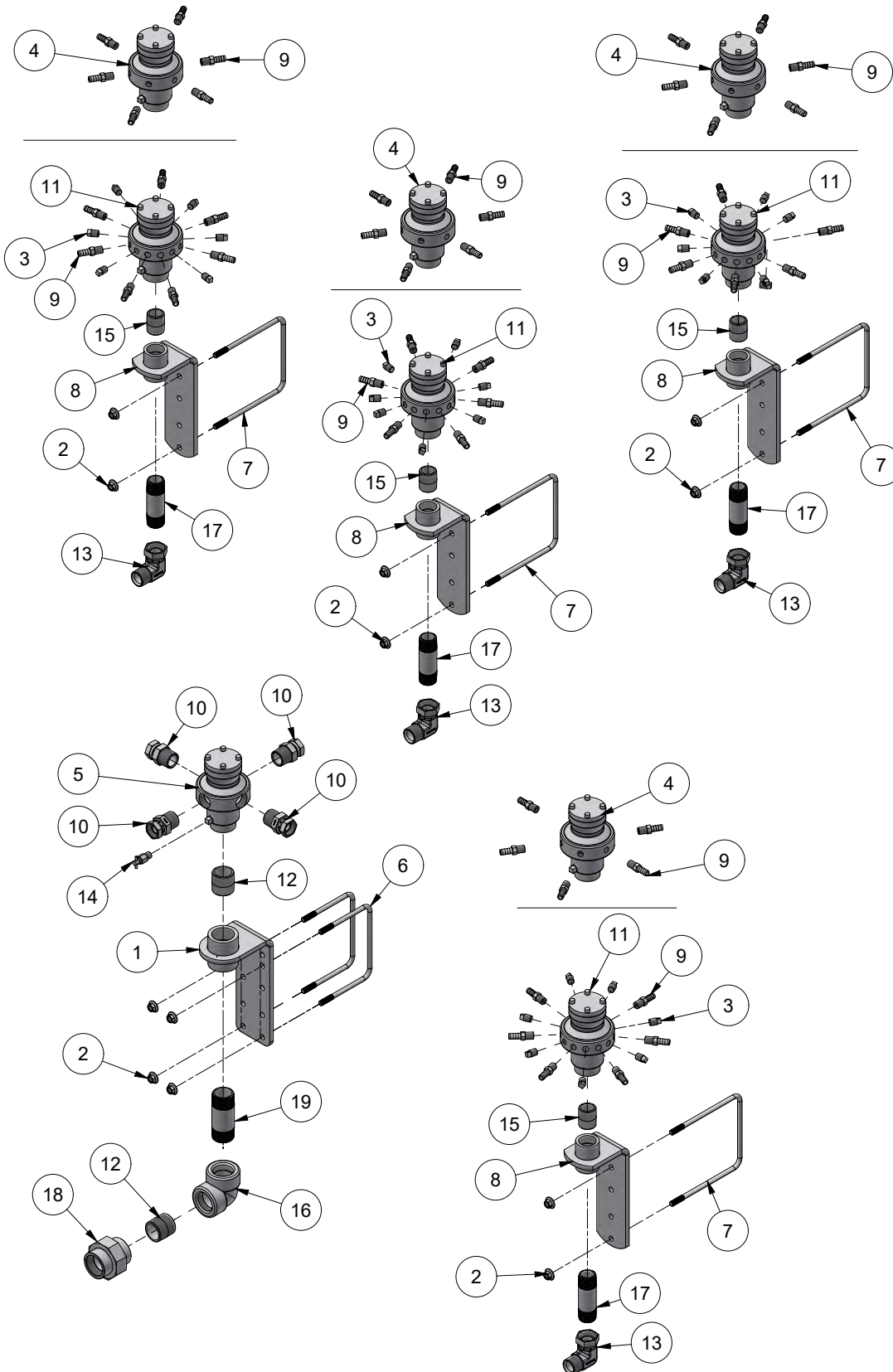
### Impellicone and Mounting Hardware - 3 Section John Blue

Please visit [www.unverferth.com/parts/](http://www.unverferth.com/parts/) for the most current parts listing.

ITEM	PART NUMBER	DESCRIPTION	QTY										
			12 ROW 30"	13 ROW 30"	15 ROW 30"	16 ROW 30"	17 ROW 30"	18 ROW 20"	18 ROW 30"	19 ROW 30"	20 ROW 30"	21 ROW 30"	24 ROW 20"
	43748	NH3 Applicator 3-Section/6-Port						1					-
	43436	NH3 Applicator 3-Section/13-Port						-					1
1	44117B	Splitter Mounting Bracket Weldment =Black=						1					1
2	91263	Nut/Large Flange 3/8"-16UNC						10					10
3	92350	Plug, 1/4"-18 NPTF Male w/Square Head						4					20
4	9503255	Impellicone 6 Port Flow Divider Pressure Gauge & Outlet Ports						3					-
	9504212	Replacement Needle						-					-
	9504213	Replacement O-Ring						-					-
5	9503256	Impellicone 4 Port Splitter Outlet Ports						1					1
	9504216	Replacement Needle						-					-
	9504217	Replacement O-Ring						-					-
6	JBP3045	U-Bolt, 3/8"-16UNC x 5", 6 7/16" C/C						-					2
7	JBP3351	U-Bolt, 3/8"-16UNC x 7", 6 7/16" C/C						5					5
	JBP3214	U-Bolt, 3/8"-16UNC x 7", 4 7/16" C/C						5					-
8	JCM2328	Equa-Flow Mounting Bracket						3					3
9	JCP2308	Hose Barb 1/4" NPT Male x 3/8" Hose Barb						18					25
10	JCP2480	Screwed Plug, 1-11.5 NPT w/Square Head						1					1
11	JCP2564	Impellicone 13 Port Flow Divider Pressure Gauge & Outlet Ports						-					3
	9504212	Replacement Needle						-					-
	9504213	Replacement O-Ring						-					-
12	JCP2727	Nipple, 1 1/4-11.5 NPT Male x 1 5/8 (Close)						2					2
13	JCP2741	90° Elbow, 1-11.5 NPT Male x 1-11.5 NPT Female						3					3
14	JCP2838	Bleeder Valve 1/4-18 NPT w/T-Handle						1					1
15	JDP4034	Nipple, 1-11.5 NPT Male x 1 9/16"						3					3
16	9503720	90° Elbow, 1 1/4-11.5 NPT Female x 1 1/4-11.5 NPT Female						1					1
17	JDP4130	Nipple, 1-11.5 NPT Male x 4"						3					3
18	JDP4598	Pipe Swivel Union 1-11.5 NPT Male x 1-11.5 NPSM Female						3					3
19	9503332	Pipe Nipple, 1 1/4" x 4" (1 1/4-11.5 NPT Both Ends)						1					1
20	JCP2893	Pipe Union, 1 1/4-11.5 NPT Female x 1 1/4-11.5 NPT Female						1					1

Impellicone and Mounting Hardware - 4 Section John Blue

Please visit [www.unverferth.com/parts/](http://www.unverferth.com/parts/) for the most current parts listing.





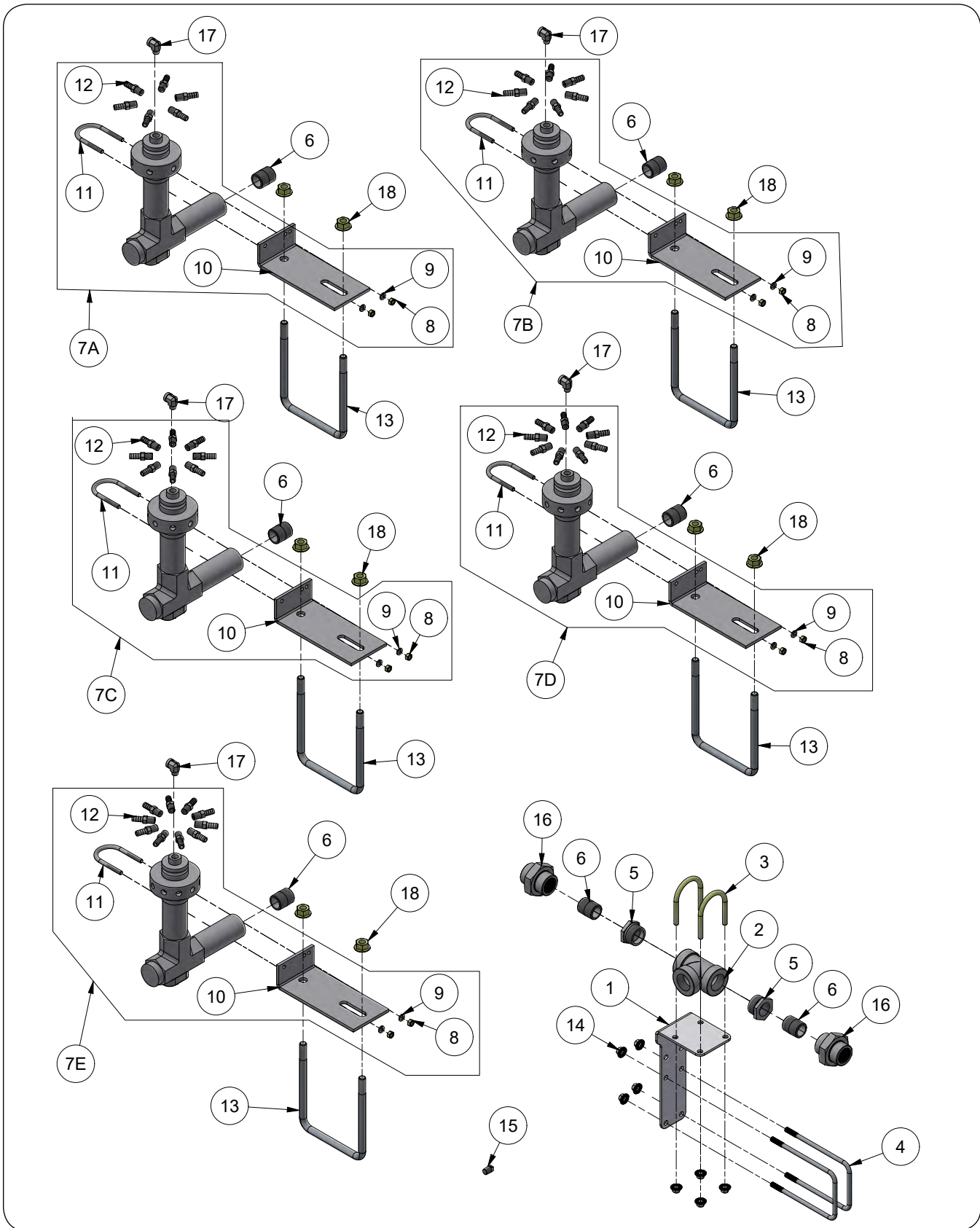
### Impellicone and Mounting Hardware - 4 Section John Blue

Please visit [www.unverferth.com/parts/](http://www.unverferth.com/parts/) for the most current parts listing.

ITEM	PART NUMBER	DESCRIPTION	QTY
	43437	NH3 Applicator 4-Section/6-Port	1
1	44117B	Splitter Mounting Bracket Weldment =Black=	1
2	91263	Nut/Large Flange 3/8"-16UNC	12
3	92350	Plug, 1/4"-18 NPTF Male w/Square Head	5
4	9503255	Impellicone 6 Port Flow Divider Pressure Gauge & Outlet Ports	4
	9504212	Replacement Needle	-
	9504213	Replacement O-Ring	-
5	9503256	Impellicone 4 Port Splitter Outlet Ports	1
	9504216	Replacement Needle	-
	9504217	Replacement O-Ring	-
6	JBP3045	U-Bolt, 3/8"-16UNC x 5", 6 7/16" C/C	2
7	JBP3351	U-Bolt, 3/8"-16UNC x 7", 6 7/16" C/C	4
8	JCM2328	Equa-Flow Mounting Bracket	4
9	JCP2308	Hose Barb 1/4" NPT Male x 3/8" Hose Barb	24
10	9503611	Pipe Swivel Union 1-11.5 NPT Male x 3/4-14 NPSM Female	4
11	JCP2564	Impellicone 13 Port Flow Divider Pressure Gauge & Outlet Ports	-
	9504212	Replacement Needle	-
	9504213	Replacement O-Ring	-
12	JCP2727	Nipple, 1 1/4-11.5 NPT Male x 1 5/8 (Close)	2
13	JCP2741	90° Elbow, 1-11.5 NPT Male x 1-11.5 NPT Female	4
14	JCP2838	Bleeder Valve 1/4-18 NPT w/T-Handle	1
15	JDP4034	Nipple, 1-11.5 NPT Male x 1 9/16"	4
16	9503720	90° Elbow, 1 1/4-11.5 NPT Female x 1 1/4-11.5 NPT Female	1
17	JDP4130	Nipple, 1-11.5 NPT Male x 4"	4
18	JCP2893	Pipe Union 1 1/4-11.5 NPT Female x 1 1/4-11.5 NPT Female	1
19	9503332	Nipple, 1 1/4-11.5 NPT Male x 4"	1

### Manifold and Mounting Hardware - 2 Section Continental

Please visit [www.unverferth.com/parts/](http://www.unverferth.com/parts/) for the most current parts listing.



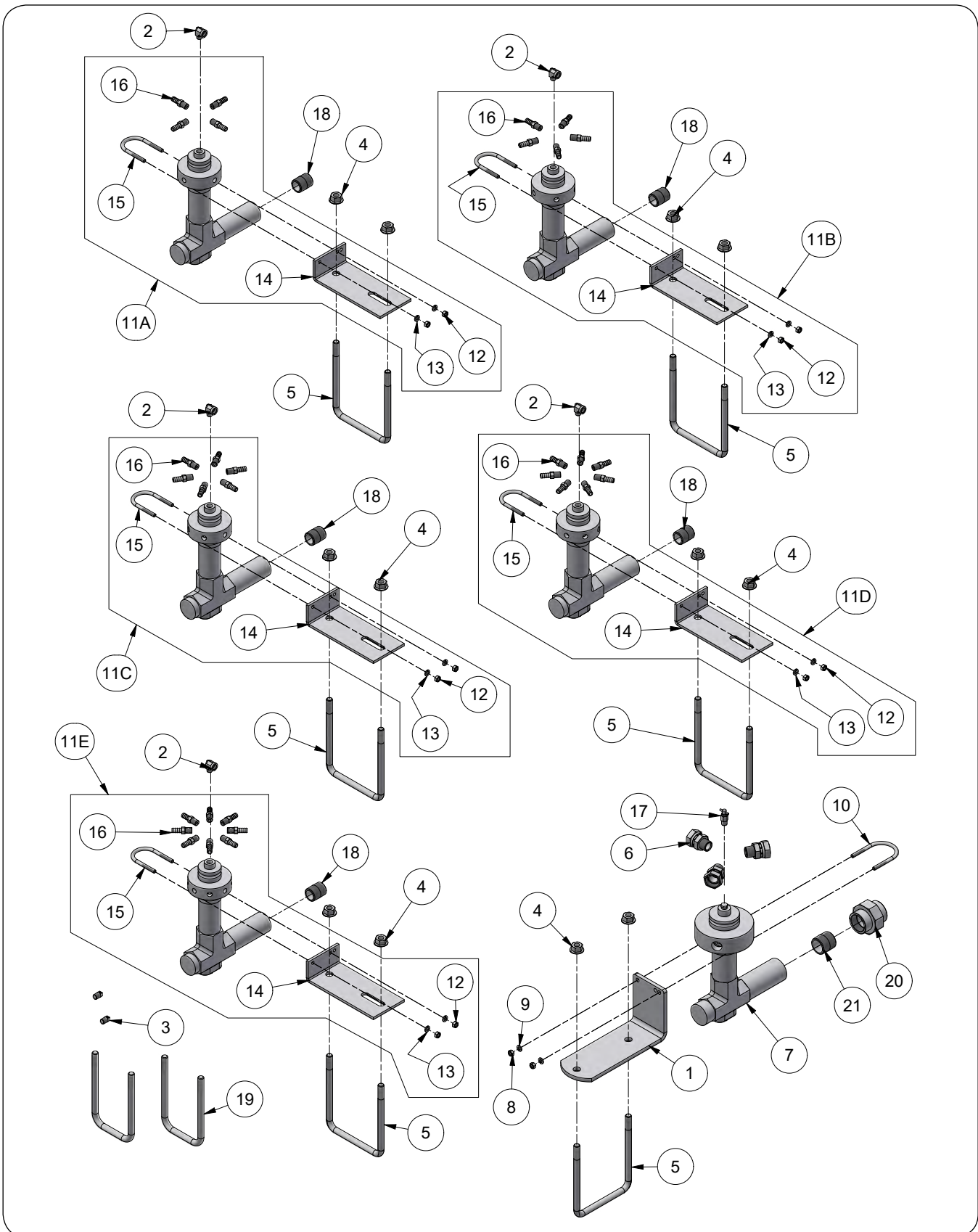
## Manifold and Mounting Hardware - 2 Section Continental

Please visit [www.unverferth.com/parts/](http://www.unverferth.com/parts/) for the most current parts listing.

ITEM	PART NUMBER	DESCRIPTION	QTY					
			12 ROW 30"	13 ROW 30"	15 ROW 30" 16 ROW 30"	17 ROW 30" 18 ROW 30"	19 ROW 30" 20 ROW 30"	
	45312B	NH3 Applicator 2-Section/6-Port	1	-	-	-	-	
	43419	NH3 Applicator 2-Section/7-Port	-	1	-	-	-	
	44862	NH3 Applicator 2-Section/8-Port	-	-	1	-	-	
	43749	NH3 Applicator 2-Section/9-Port	-	-	-	1	-	
	44023	NH3 Applicator 2-Section/10-Port	-	-	-	-	1	
1	47845B	Distribution Tee Mounting Bracket =Black=	1	1	1	1	1	
2	JDP4037	Pipe Tee 1 1/4-11.5 NPT Female	1	1	1	1	1	
3	TA1-902545-0	U-Bolt, 3/8"-16UNC x 3 7/16", 2 3/4" C/C	2	2	2	2	2	
4	JBP3214	U-Bolt, 3/8"-16UNC x 7", 4 7/16" C/C	2	2	2	2	2	
	JBP3351	U-Bolt, 3/8"-16UNC x 7", 6 7/16" C/C	2	2	2	2	2	
5	JDP4046	Reducer Bushing, 1 1/4-11.5 NPT Male x 1-11.5 NPT Female	2	2	2	2	2	
6	JDP4034	Nipple, 1-11.5 NPT Male x 1 9/16"	4	4	4	4	4	
7A	JCP2786	Manifold 6 Port-C (A-360) Assembly (Includes Items 8-12)	2	-	-	-	-	
7B	JCP2787	Manifold 7 Port-C (A-360) Assembly (Includes Items 8-12)	-	2	-	-	-	
7C	JCP2788	Manifold 8 Port-C (A-360) Assembly (Includes Items 8-12)	-	-	2	-	-	
7D	JCP2789	Manifold 9 Port-C (A-360) Assembly (Includes Items 8-12)	-	-	-	2	-	
7E	JCP2790	Manifold 10 Port-C (A-360) Assembly (Includes Items 8-12)	-	-	-	-	2	
	9504218	A-360 Manifold Repair Kit	-	-	-	-	-	
8	9394-004	Hex Nut, 5/16"-18UNC	2	2	2	2	2	
9	9404-019	Lock Washer, 5/16"	2	2	2	2	2	
10	9503495	Mounting Bracket	1	1	1	1	1	
11	9503496	U-Bolt, 5/16"-18UNC x 3 13/32", 2 5/16" C/C	1	1	1	1	1	
12	9503497	Hose Barb, 1/4 NPT Male x 3/8 Hose, w/.201 Orifice	6	7	8	9	10	
13	JBP3354	U-Bolt, 5/8"-11UNC x 7 3/4", 6 11/16" C/C	2	2	2	2	2	
	JBP3099	U-Bolt, 5/8"-11UNC x 6", 6 11/16" C/C	2	2	2	2	2	
14	91263	Nut/Large Flange 3/8"-16UNC	8	8	8	8	8	
15	92350	Plug, 1/4"-18 NPTF Male w/Square Head	1	1	1	1	1	
16	JCP2894	Pipe Union 1-11.5 NPT Female x 1-11.5 NPT Female	2	2	2	2	2	
17	91432	90° Elbow, 1/4-18 NPTF	2	2	2	2	2	
18	9502324	Flange Nut, 5/8"-11UNC	4	4	4	4	4	

### Manifold and Mounting Hardware - 3 Section Continental

Please visit [www.unverferth.com/parts/](http://www.unverferth.com/parts/) for the most current parts listing.



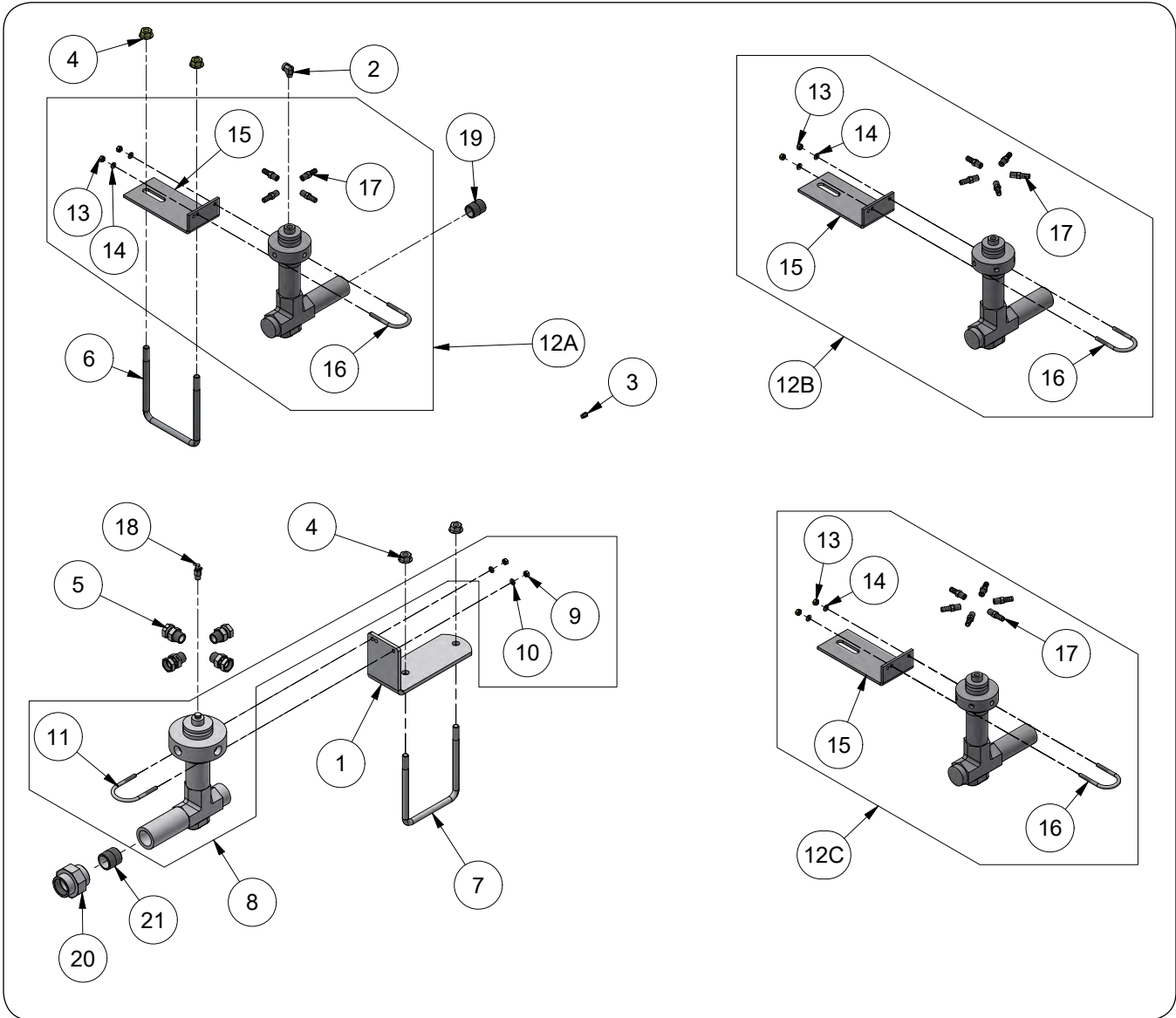
## Manifold and Mounting Hardware - 3 Section Continental

Please visit [www.unverferth.com/parts/](http://www.unverferth.com/parts/) for the most current parts listing.

ITEM	PART NUMBER	DESCRIPTION	QTY									
			12 ROW 30"	13 ROW 30"	15 ROW 30"	16 ROW 30"	17 ROW 30"	18 ROW 20"	18 ROW 30"	19 ROW 30"	20 ROW 30"	21 ROW 30"
	45313B	NH3 Applicator 3-Section/4-Port	1	-	-	-	-	-	-	-	-	-
	43750	NH3 Applicator 3-Section/5-Port	-	1	-	-	-	-	-	-	-	-
	43751	NH3 Applicator 3-Section/6-Port	-	-	-	1	-	-	-	-	-	-
	44024	NH3 Applicator 3-Section/7-Port	-	-	-	-	-	1	-	-	-	-
	43440	NH3 Applicator 3-Section/8-Port	-	-	-	-	-	-	-	-	-	1
1	44508B	Splitter Mounting Bracket	1	1	1	1	1	1	1	1	1	1
2	91432	90° Elbow, 1/4-18 NPTF	3	3	3	3	3	3	3	3	3	3
3	92350	Plug, 1/4"-18 NPTF Male w/Square Head	-	2	1	1	2	2	1	1	1	1
4	9502324	Flange Nut, 5/8"-11UNC	8	8	8	8	8	8	8	8	8	8
5	JBP3354	U-Bolt, 5/8"-11UNC x 7 3/4", 6 11/16" C/C	4	4	4	4	4	4	4	4	4	4
6	JCP2740	Pipe Swivel Union, 3/4-14 NPT Male x 1-11.5 NPT Female	3	3	3	3	3	3	3	3	3	3
7	9504118	Manifold 3 Port Splitter Outlet Ports	1	1	1	1	1	1	1	1	1	1
	9504219	A-360 Splitter Repair Kit	-	-	-	-	-	-	-	-	-	-
8	9394-004	Hex Nut, 5/16"-18UNC	2	2	2	2	2	2	2	2	2	2
9	9404-019	Lock Washer, 5/16"	2	2	2	2	2	2	2	2	2	2
10	9503499	U-Bolt, 5/16"-18UNC x 3 21/32", 2 13/16" C/C	1	1	1	1	1	1	1	1	1	1
11A	9503604	Manifold 4 Port-C (A-360) Assembly (Includes Items 12-16)	3	-	-	-	-	-	-	-	-	-
11B	JCP2785	Manifold 5 Port-C (A-360) Assembly (Includes Items 12-16)	-	3	-	-	-	-	-	-	-	-
11C	JCP2786	Manifold 6 Port-C (A-360) Assembly (Includes Items 12-16)	-	-	3	-	-	-	-	-	-	-
11D	JCP2787	Manifold 7 Port-C (A-360) Assembly (Includes Items 12-16)	-	-	-	-	-	3	-	-	-	-
11E	JCP2788	Manifold 8 Port-C (A-360) Assembly (Includes Items 12-16)	-	-	-	-	-	-	-	-	-	3
	9504218	A-360 Manifold Repair Kit	-	-	-	-	-	-	-	-	-	-
12	9394-004	Hex Nut, 5/16"-18UNC	2	2	2	2	2	2	2	2	2	2
13	9404-019	Lock Washer, 5/16"	2	2	2	2	2	2	2	2	2	2
14	9503495	Mounting Bracket	1	1	1	1	1	1	1	1	1	1
15	9503496	U-Bolt, 5/16"-18UNC x 3 13/32", 2 5/16" C/C	1	1	1	1	1	1	1	1	1	1
16	9503497	Hose Barb, 1/4 NPT Male x 3/8 Hose, w/.201 Orifice	4	5	6	7	7	7	7	7	7	8
17	JCP2838	Bleeder Valve 1/4-18 NPT w/T-Handle	1	1	1	1	1	1	1	1	1	1
18	JDP4034	Nipple, 1-11.5 NPT Male x 1 9/16"	3	3	3	3	3	3	3	3	3	3
19	JBP3331	U-Bolt, 5/8"-11UNC x 7 1/2", 4 11/16" C/C	-	-	-	-	-	2	-	-	-	2
20	JCP2893	Pipe Union, 1 1/4-11.5 NPT Female x 1 1/4-11.5 NPT Female	1	1	1	1	1	1	1	1	1	1
21	JCP2727	Nipple, 1 1/4-11.5 NPT Male x 1 5/8 (Close)	1	4	1	1	1	1	1	1	1	1

**Manifold and Mounting Hardware - 4 Section Continental**

Please visit [www.unverferth.com/parts/](http://www.unverferth.com/parts/) for the most current parts listing.



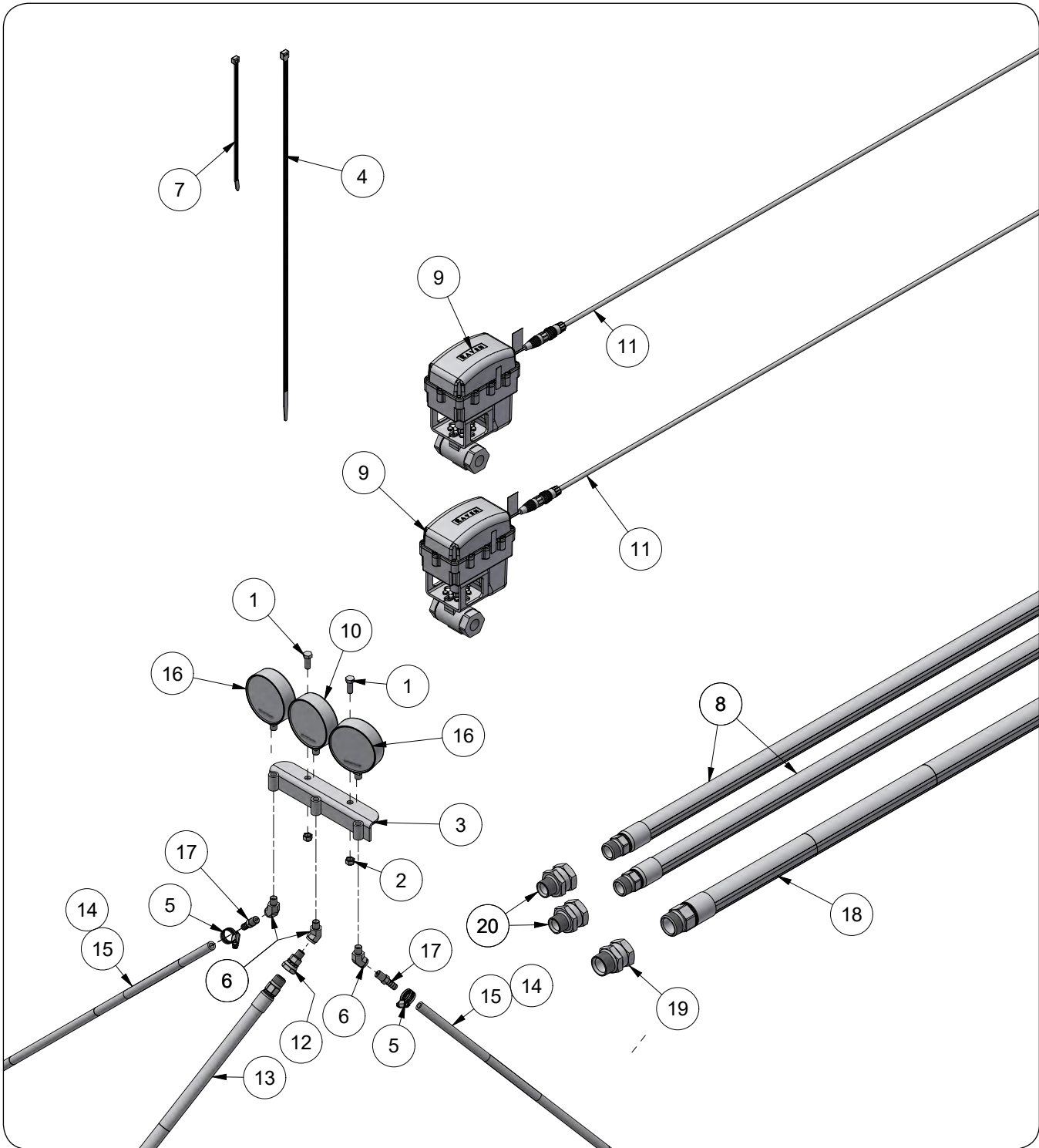
## Manifold and Mounting Hardware - 4 Section Continental

Please visit [www.unverferth.com/parts/](http://www.unverferth.com/parts/) for the most current parts listing.

ITEM	PART NUMBER	DESCRIPTION	QTY					
			16 ROW 30"	17 ROW 30"	18 ROW 30"	19 ROW 30"	20 ROW 30"	21 ROW 30" 24 ROW 20"
	45361B	NH3 Applicator 4-Section/4-Port	1	-	-	-	-	-
	44028	NH3 Applicator 4-Section/5-Port	-	1	-	-	-	-
	43441	NH3 Applicator 4-Section/6-Port	-	-	-	-	-	1
1	44508B	Splitter Mounting Bracket	1	1	1	1	1	1
2	91432	90° Elbow, 1/4-18 NPTF	4	4	4	4	4	4
3	92350	Plug, 1/4"-18 NPTF Male w/Square Head	1	3	3	3	3	3
4	9502324	Flange Nut, 5/8"-11UNC	10	10	10	10	10	10
5	9503610	Pipe Swivel Union, 3/4-14 NPT Male x 3/4-14 NPSM Female	4	4	4	4	4	4
6	JBP3331	U-Bolt, 5/8"-11UNC x 7 1/2", 4 11/16" C/C	2	2	2	2	2	2
7	JBP3354	U-Bolt, 5/8"-11UNC x 7 3/4", 6 11/16" C/C	5	3	3	3	3	3
8	9504119	Manifold 4 Port Splitter Outlet Ports	1	1	1	1	1	1
	9504219	A-360 Splitter Repair Kit	-	-	-	-	-	-
9	9394-004	Hex Nut, 5/16"-18UNC	2	2	2	2	2	
10	9404-019	Lock Washer, 5/16"	2	2	2	2	2	
11	9503499	U-Bolt, 5/16"-18UNC x 3 21/32", 2 13/16" C/C	1	1	1	1	1	
12A	9503604	Manifold 4 Port-C (A-360) Assembly (Includes Items 13-17)	4	-	-	-	-	
12B	JCP2785	Manifold 5 Port-C (A-360) Assembly (Includes Items 13-17)	-	4	-	-	-	
12C	JCP2786	Manifold 6 Port-C (A-360) Assembly (Includes Items 13-17)	-	-	-	-	4	
	9504218	A-360 Manifold Repair Kit	-	-	-	-	-	
13	9394-004	Hex Nut, 5/16"-18UNC	2	2	2	2	2	
14	9404-019	Lock Washer, 5/16"	2	2	2	2	2	
15	9503495	Mounting Bracket	1	1	1	1	1	
16	9503496	U-Bolt, 5/16"-18UNC x 3 13/32", 2 5/16" C/C	1	1	1	1	1	
17	9503497	Hose Barb, 1/4 NPT Male x 3/8 Hose, w/.201 Orifice	4	5	5	5	6	
18	JCP2838	Bleeder Valve 1/4-18 NPT w/T-Handle	1	1	1	1	1	
19	JDP4034	Nipple, 1-11.5 NPT Male x 1 9/16"	4	4	4	4	4	
20	JCP2893	Pipe Union, 1 1/4-11.5 NPT Female x 1 1/4-11.5 NPT Female	1	1	1	1	1	
21	JCP2727	Nipple, 1 1/4-11.5 NPT Male x 1 5/8 (Close)	1	1	1	1	1	

**Distribution 2-Section Hoses and Electrical Components**

Please visit [www.unverferth.com/parts/](http://www.unverferth.com/parts/) for the most current parts listing.



**NOTE:** 3/8" EVA hose comes partially pre-cut to length. Length of hose is determined by width of toolbar. Number of pre-cut sections are determined by number of rows.



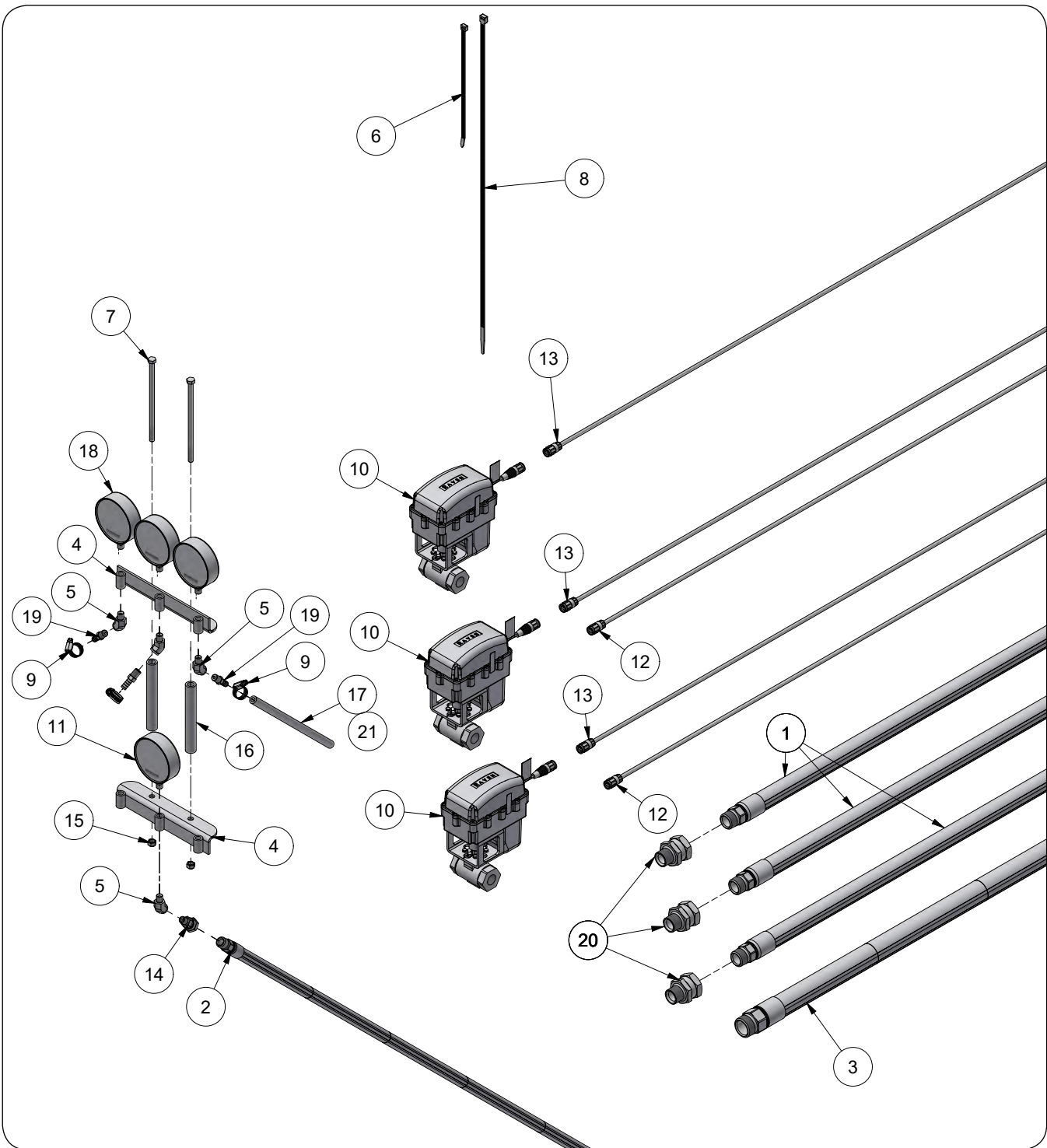
## Distribution 2-Section Hoses and Electrical Components

Please visit [www.unverferth.com/parts/](http://www.unverferth.com/parts/) for the most current parts listing.

ITEM	PART NUMBER	DESCRIPTION	QTY PER DISTRIBUTION SIZE									
			2-SECTION JOHN BLUE & CONTINENTAL									
			12 ROW 30"	13 ROW 30"	15 ROW 30"	16 ROW 30"	17 ROW 30"	18 ROW 20"	18 ROW 30"	19 ROW 30"	20 ROW 30"	21 ROW 30"
	46043	Manifold Hose Routing Package	1	-	-	-	-	-	-	-	-	-
	46046	Manifold Hose Routing Package	-	1	-	-	-	-	-	-	-	-
	46048	Manifold Hose Routing Package	-	-	1	-	-	-	-	-	-	-
	46051	Manifold Hose Routing Package	-	-	-	-	1	-	-	-	-	-
	46052	Manifold Hose Routing Package	-	-	-	-	-	-	-	-	1	-
1	9390-055	Capscrew, 3/8"-16UNC x 1" G5	2	2	2	2	2	2	2	2	2	2
2	9928	Locknut/Top, 3/8"-16UNC	2	2	2	2	2	2	2	2	2	2
3	44118B	Mounting Bracket - 3 Gauge Weldment =Black=	1	1	1	1	1	1	1	1	1	1
4	94038	Cable Tie 32"	8	8	8	8	10	12				
5	94050	Hose Clamp 11-25MM	30	38	42	54	52					
6	9001040	45° Elbow, 1/4-18 NPTF Male x 1/4-18 NPTF Female	3	3	3	3	3	3				
7	9003735	Cable Tie 11"	13	17	19	25	24					
8	9503311	NH3 Hose, 1" x 180", 350PSI	2	2	2	2	2	2				
9	9503343	Electric 1" NPT, ON/OFF Valve	2	2	2	2	2	2				
10	9503354	NH3 Pressure Gauge 0-400 PSI, 4 Dia.	1	1	1	1	1	1				
11	9503393	Wire Harness 24 Ft. Extension	2	2	2	2	2	2				
12	9504898	Pipe Nipple, 1/4-18 NPT Female x 1/2-14 NPSM Female	2	2	2	2	2	2				
13	9505034	NH3 Hose, 1/2" x 96", 350PSI	1	1	1	1	1	1				
14	JCCP2561	Hose, EVA, 3/8" x 15'	13	-	-	-	-	-				
	JCCP2562	Hose, EVA, 3/8" x 18'	-	17	-	-	-	24				
	JCCP2563	Hose, EVA, 3/8" x 20'	-	-	19	-	-	-				
15	JCCP2565	Hose, EVA, 3/8" x 25'	2	2	2	-	2	-				
	JCCP2567	Hose, EVA, 3/8" x 33'	-	-	-	27	-	-				
16	JCP2100	Gauge, 0-160 PSI, 4" Steel Case	2	2	2	2	2	2				
17	JCP2308	Hose Barb 1/4 NPT Male x 3/8 Hose	4	4	4	4	4	4				
18	JCP2890	NH3 Hose, 1 1/4" x 120", 350PSI	1	1	1	1	1	1				
19	JDP4397	Pipe Swivel Union 1 1/4-11.5 NPT	1	1	1	1	1	1				
20	JDP4598	Pipe Swivel Union 1-11.5 NPT	2	2	2	2	2	2				

**Distribution 3-Section Hoses and Electrical Components**

Please visit [www.unverferth.com/parts/](http://www.unverferth.com/parts/) for the most current parts listing.



**NOTE:** 3/8" EVA hose comes partially pre-cut to length. Length of hose is determined by width of toolbar. Number of pre-cut sections are determined by number of rows.

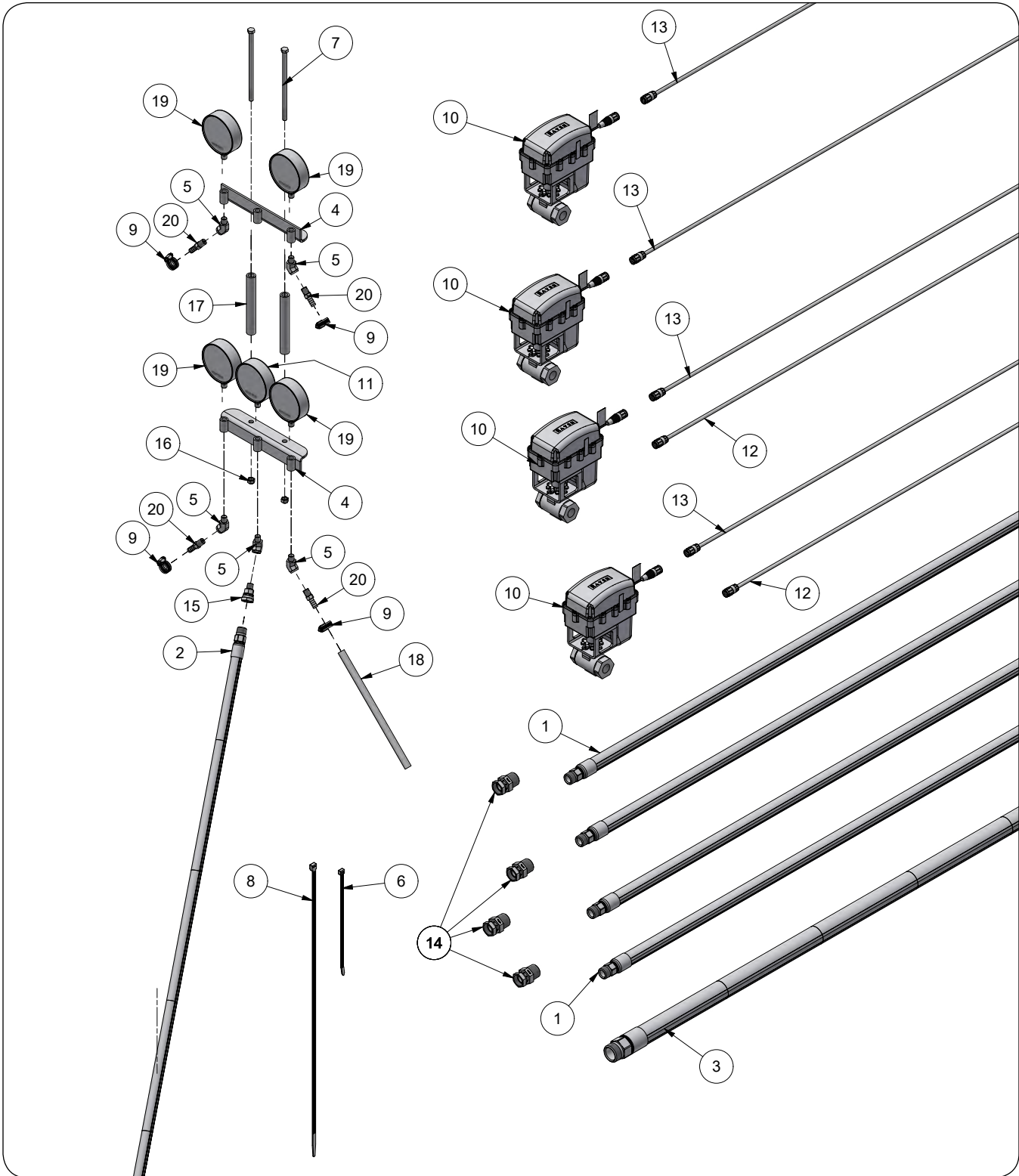
### Distribution 3-Section Hoses and Electrical Components

Please visit [www.unverferth.com/parts/](http://www.unverferth.com/parts/) for the most current parts listing.

ITEM	PART NUMBER	DESCRIPTION	QTY PER DISTRIBUTION SIZE									
			3-SECTION JOHN BLUE & CONTINENTAL									
			12 ROW 30"	13 ROW 30"	15 ROW 30"	16 ROW 30"	17 ROW 30"	18 ROW 20"	18 ROW 30"	19 ROW 30"	20 ROW 30"	21 ROW 30"
	46059	Manifold Hose Routing Package	1	-	-	-	-	-	-	-	-	-
	46061	Manifold Hose Routing Package	-	1	-	-	-	-	-	-	-	-
	46062	Manifold Hose Routing Package	-	-	-	1	-	-	-	-	-	-
	46063	Manifold Hose Routing Package	-	-	-	-	-	1	-	-	-	-
	46065	Manifold Hose Routing Package	-	-	-	-	-	-	-	-	1	-
1	9503311	NH3 Hose, 1" x 180", 350PSI	3	-	-	-	-	-	-	-	3	-
	9503313	NH3 Hose, 1" x 216", 350PSI	-	3	3	-	-	-	-	-	-	-
	9503314	NH3 Hose, 1" x 300", 350PSI	-	-	-	-	-	3	-	-	-	-
2	9505034	NH3 Hose, 1/2" x 96", 350PSI	1	1	1	1	1	1	1	1	1	1
3	JCP2890	NH3 Hose, 1 1/4" x 120", 350PSI	1	1	1	1	1	1	1	1	1	1
4	44118B	Mounting Bracket - 3 Gauge Weldment	2	2	2	2	2	2	2	2	2	2
5	9001040	45° Elbow, 1/4-18 NPTF Male x 1/4-18 NPTF Female	4	4	4	4	4	4	4	4	4	4
6	9003735	Cable Tie 11"	13	17	19	21	24	24	24	24	24	24
7	9390-074	Capscrew, 3/8"-16UNC x 7 1/2"	2	2	2	2	2	2	2	2	2	2
8	94038	Cable Tie 32"	12	12	12	12	12	12	12	12	12	12
9	94050	Hose Clamp 11-25MM	32	40	44	48	54	54	54	54	54	54
10	9503343	Electric 1" NPT, ON/OFF Valve	3	3	3	3	3	3	3	3	3	3
11	9503354	NH3 Pressure Gauge 0-400 PSI, 4 Dia.	1	1	1	1	1	1	1	1	1	1
12	9503392	Wire Harness 12 Ft. Extension	-	-	2	2	-	2	2	-	-	-
13	9503393	Wire Harness 24 Ft. Extension	3	3	3	3	3	3	3	3	3	3
14	9504898	Pipe Nipple, 1/4-18 NPT Female x 1/2-14 NPSM Female	2	2	2	2	2	2	2	2	2	2
15	9928	Locknut/Tp[, 3/8"-16UNC	2	2	2	2	2	2	2	2	2	2
16	JAM4567	Spacer Pipe, 1/2" SCH80 x 6 1/4"	2	2	2	2	2	2	2	2	2	2
17	JCCP2565	Hose, EVA, 3/8" x 25'	3	3	-	1	3	-	1	3	-	-
	JCCP2566	Hose, EVA, 3/8" x 27'	-	-	3	-	-	-	-	-	-	-
	JCCP2567	Hose, EVA, 3/8" x 33'	-	-	-	2	-	-	-	-	-	-
18	JCP2100	Gauge, 0-160 PSI, 4" Steel Case	3	3	3	3	3	3	3	3	3	3
19	JCP2308	Hose Barb 1/4 NPT Male x 3/8 Hose	6	6	6	6	6	6	6	6	6	6
20	JDP4598	Pipe Swivel Union 1-11.5 NPT	3	3	3	3	3	3	3	3	3	3
21	JCCP2561	Hose, EVA, 3/8" x 15'	13	-	-	-	-	-	-	-	24	-
	JCCP2562	Hose, EVA, 3/8" x 18'	-	17	-	21	-	-	-	-	-	-
	JCCP2564	Hose, EVA, 3/8" x 23'	-	-	19	-	-	-	-	-	-	-

**Distribution 4-Section Hoses and Electrical Components**

Please visit [www.unverferth.com/parts/](http://www.unverferth.com/parts/) for the most current parts listing.



**NOTE:** 3/8" EVA hose comes partially pre-cut to length. Length of hose is determined by width of toolbar. Number of pre-cut sections are determined by number of rows.

### Distribution 4-Section Hoses and Electrical Components

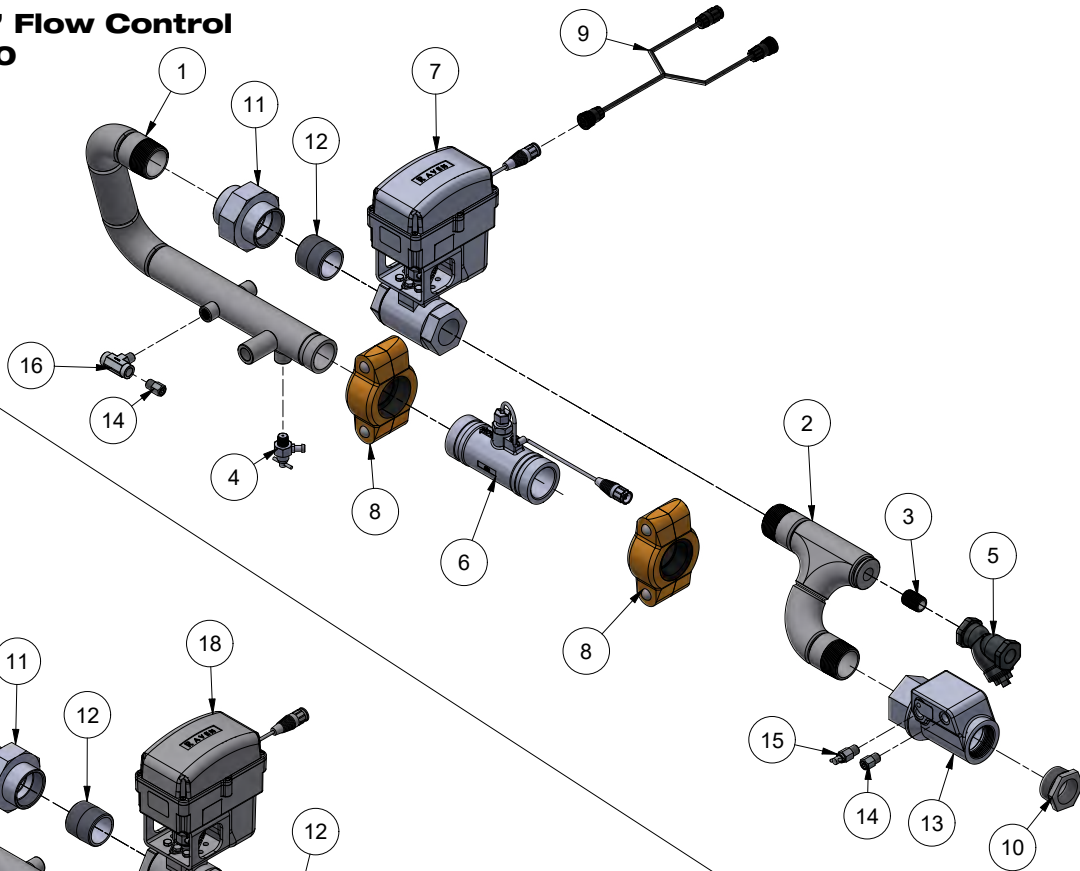
Please visit [www.unverferth.com/parts/](http://www.unverferth.com/parts/) for the most current parts listing.

ITEM	PART NUMBER	DESCRIPTION	QTY PER DISTRIBUTION SIZE					
			4-SECTION JOHN BLUE & CONTINENTAL					
			16 ROW 30"	17 ROW 30"	18 ROW 30"	19 ROW 30"	20 ROW 30"	21 ROW 30"
	46069	Manifold Hose Routing Package	1					-
	46070	Manifold Hose Routing Package	-		1			-
	46071	Manifold Hose Routing Package	-		-			1
1	9503316	NH3 Hose, 3/4" x 216", 350PSI	4		-			4
	9503317	NH3 Hose, 3/4" x 300", 350PSI	-		4			-
2	9505034	NH3 Hose, 1/2" x 96", 350PSI	1		1			1
3	JCP2890	NH3 Hose, 1 1/4" x 120", 350PSI	1		1			1
4	44118B	Mounting Bracket - 3 Gauge Weldment	2		2			2
5	9001040	45° Elbow, 1/4-18 NPTF Male x 1/4-18 NPTF Female	5		5			5
6	9003735	Cable Tie 11"	16		18			24
7	9390-074	Capscrew, 3/8"-16UNC x 7 1/2"	2		2			2
8	94038	Cable Tie 32"	16		16			16
9	94050	Hose Clamp 11-25MM	40		44			56
10	9503343	Electric 1" NPT, ON/OFF Valve	4		4			4
11	9503354	NH3 Pressure Gauge 0-400 PSI, 4 Dia.	1		1			1
12	9503392	Wire Harness 12 Ft. Extension	3		2			3
13	9503393	Wire Harness 24 Ft. Extension	2		4			2
14	9503611	Pipe Swivel Union 1-11.5 NPT	4		4			4
15	9504898	Pipe Nipple, 1/4-18 NPT Female x 1/2-14 NPSM Female	2		2			2
16	9928	Locknut, 3/8"-16UNC	2		2			2
17	JAM4567	Spacer Pipe, 1/2" SCH80 x 6 1/4"	2		2			2
18	JCCP2562	Hose, EVA, 3/8" x 18'	16		18			24
	JCCP2565	Hose, EVA, 3/8" x 25'	4		2			4
	JCCP2572	Hose, EVA, 3/8" x 42'	-		2			-
19	JCP2100	Gauge, 0-160 PSI, 4" Steel Case	4		4			4
20	JCP2308	Hose Barb 1/4 NPT Male x 3/8 Hose	8		8			8

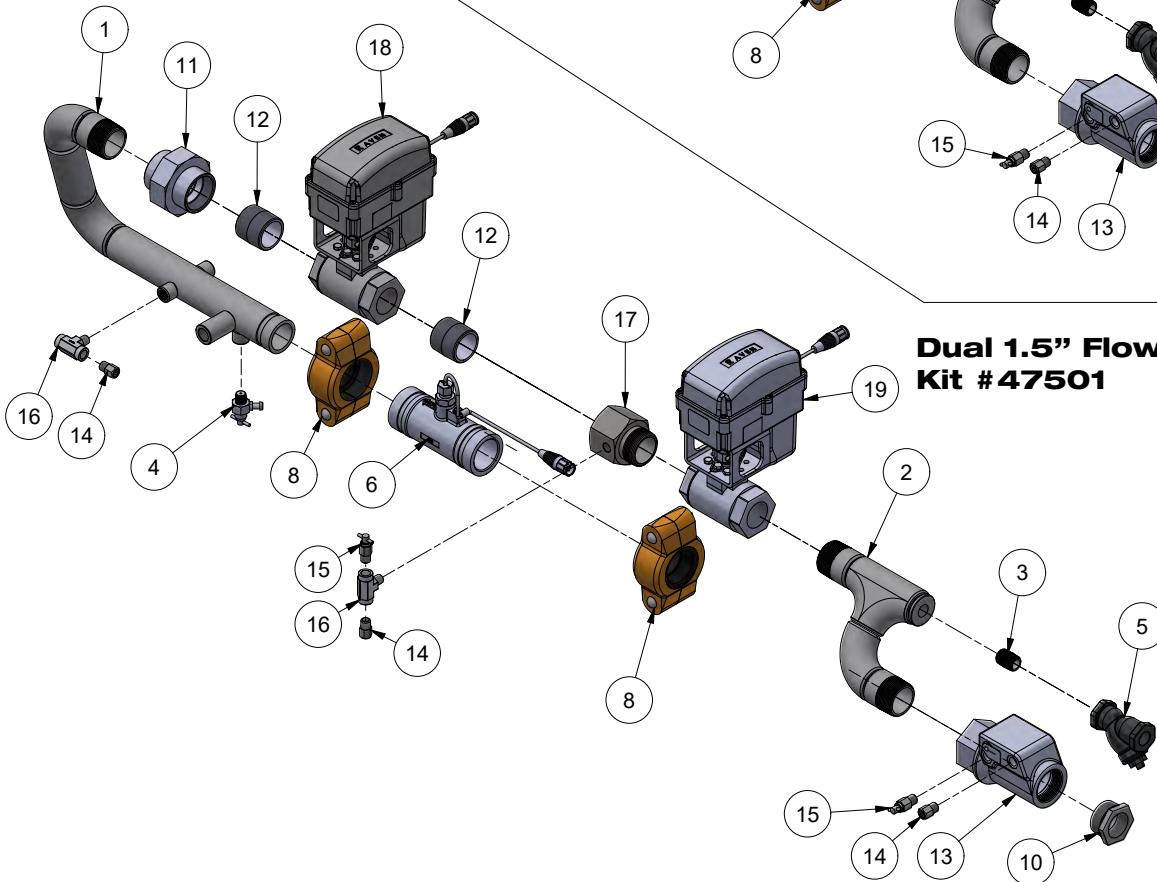
### 1.5" Flow Control Valve

Please visit [www.unverferth.com/parts/](http://www.unverferth.com/parts/) for the most current parts listing.

#### Single 1.5" Flow Control Valve Kit #47500



#### Dual 1.5" Flow Control Valve Kit #47501



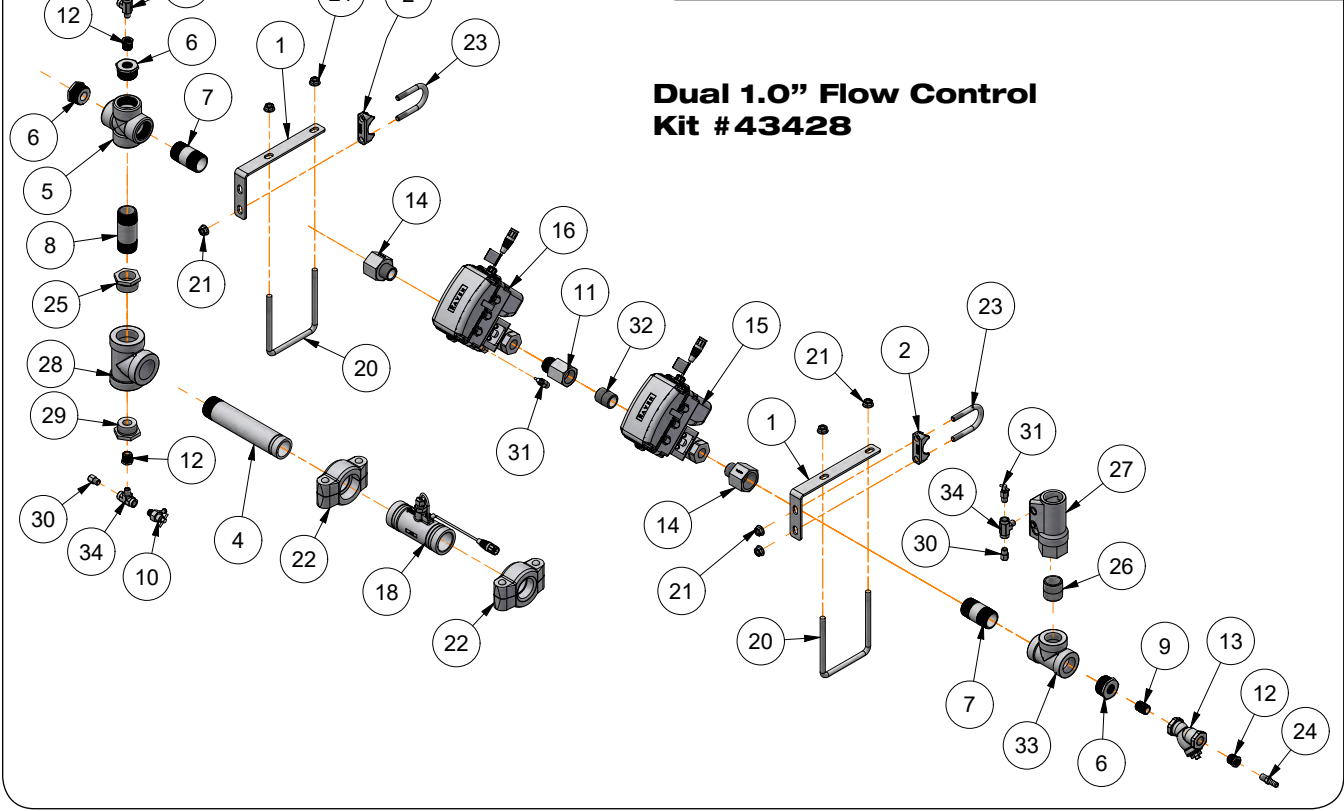
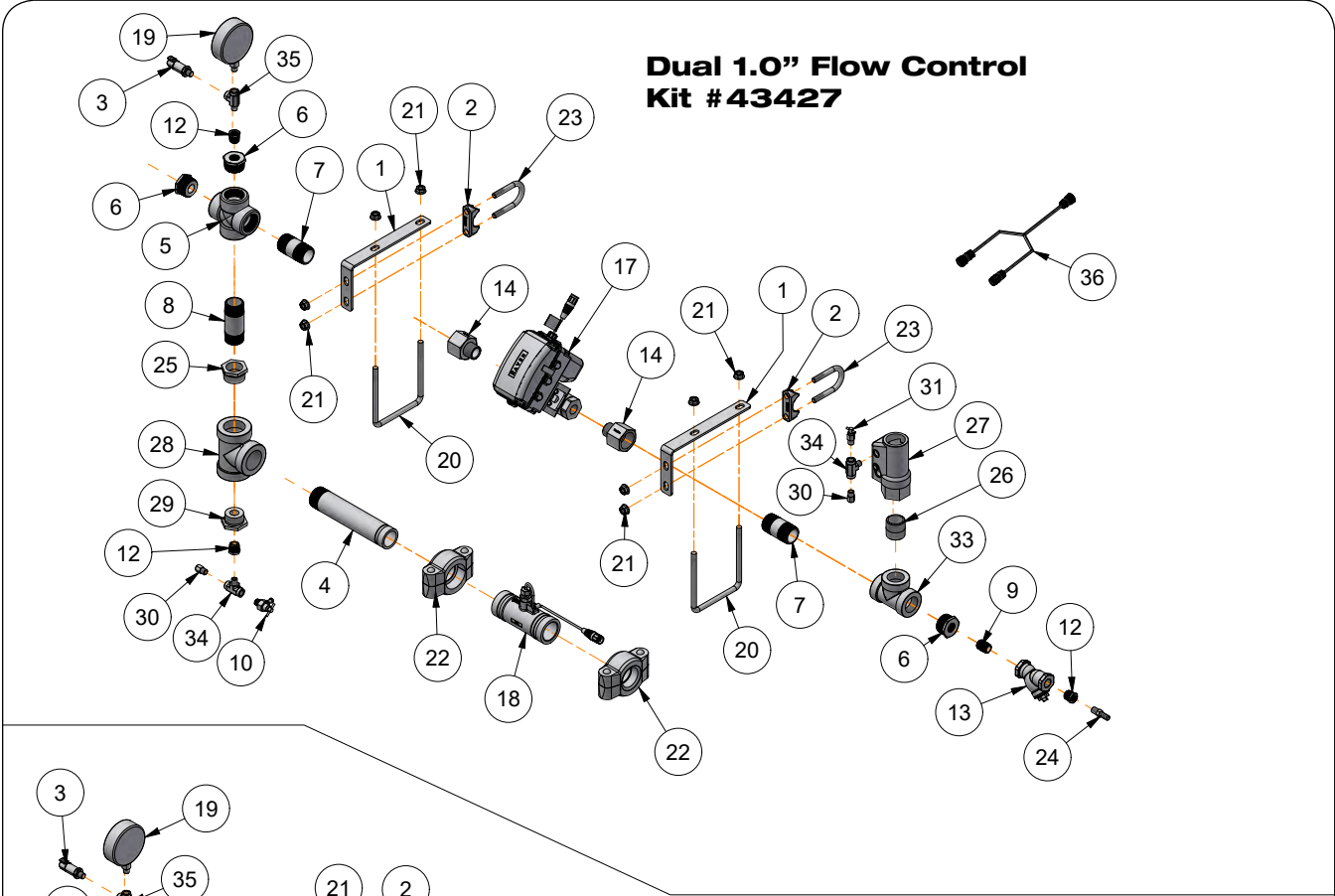
## 1.5" Flow Control Valve

Please visit [www.unverferth.com/parts/](http://www.unverferth.com/parts/) for the most current parts listing.

ITEM	PART NUMBER	DESCRIPTION	Single 1.5" Flow Control Kit #47500	Dual 1.5" Flow Control Kit #47501
1	47473SM	Gauge Tree Plumbing Weldment	1	1
2	47476SM	Discharge Plumbing Weldment	1	1
3	9503333	Pipe Nipple 1/2" x 1 1/2" (Close)	1	1
4	9503335	Bleeder Valve 1/4-18 NPT w/T-Handle	1	1
5	9503339	NH3 Strainer "Y", 1/2-14 NPT, 60 Mesh Screen	1	1
	9504222	Service Gasket - 1/2" NH3 Strainer Cap	-	-
6	9503349	NH3 Flow Meter RFM 60SG	1	1
7	9503350	NH3 Electric 1 1/2" NPT Fast Valve Regulating	1	-
8	9503827	Coupling 2" x 1 1/2" Gruvlok - Reducing	2	2
9	9504580	Wire Harness "Y" Adapter	1	-
10	JCP2584	Reducer Bushing, 1 1/2-11.5 NPT Male x 1 1/4-11.5 NPT Female	1	1
11	JCP2721	Pipe Union, 1 1/2"-11.5 NPT Female x 1 1/2"-11.5 NPT Female	1	1
12	JCP2728	Nipple 1 1/2-11.5 NPT Male x 1 3/4 (Close)	1	2
13	JCP2736	Back Check Valve 1 1/2 Full Port Swing Valve 1 1/2-11.5 NPT Female Inlet/Outlet	1	1
14	JCP2837	Hydrostatic Relief Valve, Set @ 350 PSI	2	3
15	JCP2838	Bleeder Valve 1/4-18 NPT w/T-Handle	1	2
16	TA0-904640-0	Tee 1/4-18 NPTF Female x 1/4-18 NPTF Female x 1/4-18 NPTF Male	1	2
17	9503337	Pipe Adapter Bleeder & Gauge	-	1
18	9503351	NH3 Electric 1 1/2" NPT, Control Valve	-	1
19	9503352	NH3 Electric 1 1/2" NPT, On/Off Valve	-	1

### 1.0" Flow Control Valve (Optional)

Please visit [www.unverferth.com/parts/](http://www.unverferth.com/parts/) for the most current parts listing.





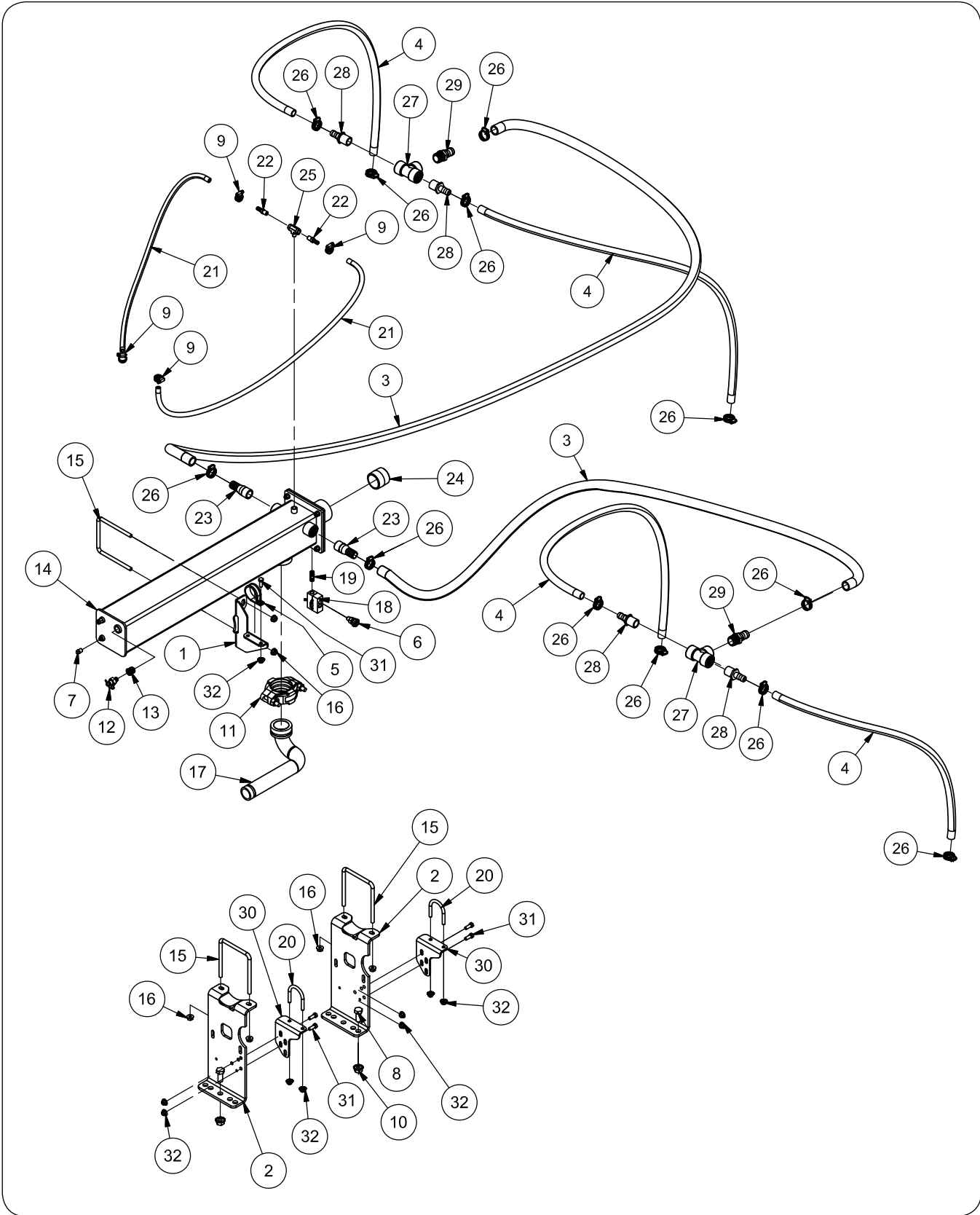
**1.0" Flow Control Valve (Optional)**

Please visit [www.unverferth.com/parts/](http://www.unverferth.com/parts/) for the most current parts listing.

ITEM	PART NUMBER	DESCRIPTION	Single 1.0" Flow Control Kit #43427	Dual 1.0" Flow Control Kit #43428
1	44638B	Support Bracket	2	2
2	84735B	Clamp Casting	2	2
3	9503299	Pressure Transducer 1-5 Volt, 0-250 PSI	1	1
4	9503327	Pipe Nipple 1 1/2" x 9"	1	1
5	9503328	Pipe Cross 1 1/4-11.5 NPT Female	1	1
6	9503329	Reducer Bushing, 1 1/4-11.5 NPT Male x 1/2-14 NPT Female	3	3
7	9503330	Pipe Nipple 1 1/4" x 3" (Thread Both Ends)	2	2
8	9503332	Pipe Nipple 1 1/4" x 4" (Thread Both Ends)	1	1
9	9503333	Pipe Nipple 1/2" x 1 1/2" (Close)	1	1
10	9503335	Bleeder Valve 1/4-18 NPT w/T-Handle	1	1
11	9503336	Pipe Adapter Bleeder & Gauge	-	1
12	9503338	Reducer Bushing, 1/2-14NPT Male x 1/4-18 NPT Female	3	3
13	9503339	NH3 Strainer "Y", 1/2-14 NPT, 60 Mesh Screen	1	1
	9504222	Service Gasket - 1/2" NH3 Strainer Cap	-	-
14	9503340	Pipe Adapter Expanding, 1-11.5NPT Male x 1 1/4-11.5 NPT Female	2	2
15	9503343	NH3 Electric 1" NPT, On/Off Valve	-	1
16	9503344	NH3 Electric 1" NPT, Control Valve	-	1
17	9503345	NH3 Electric 1" NPT Fast Valve Regulating	1	-
18	9503349	NH3 Flow Meter RFM 60SG	1	1
19	9503354	NH3 Pressure Gauge, 0-400 PSI	1	1
20	9503358	U-Bolt, 7/16"-14UNC x 6", 5 1/2" C/C	2	2
21	9503359	Flange Nut, 7/16"-14UNC	8	8
22	9503827	Coupling 2" x 1 1/2" Gruvlok, Reducing	2	2
23	95914	U-Bolt, 7/16"-14UNC x 3.12", 2.12" C/C	2	2
24	JCP2308	Hose Barb 1/4 NPT Male x 3/8 Hose	1	1
25	JCP2584	Reducer Bushing, 1 1/2-11.5 NPT Male x 1 1/4-11.5 NPT Female	1	1
26	JCP2727	Nipple 1 1/4-11.5 NPT Male x 1 5/8 (Close)	1	1
27	JCP2735	Back Check Valve 1 1/4 Full Port Swing Valve 1 1/4-11.5 NPT Female Inlet/Outlet	1	1
28	JCP2738	Pipe Tee 1 1/2-11.5 NPT Female	1	1
29	JCP2739	Reducer Bushing, 1 1/2-11.5 NPT Male x 1/2-14 NPT Female	1	1
30	JCP2837	Hydrostatic Relief Valve, Set @ 350 PSI	2	3
31	JCP2838	Bleeder Valve 1/4-18 NPT w/T-Handle	1	2
32	JDP4034	Nipple 1-11.5 NPT Male x 1 9/16" (Close)	-	1
33	JDP4037	Pipe Tee 1 1/4-11.5 NPT Female	1	1
34	TA0-904640-0	Tee 1/4-18 NPTF Female x 1/4-18 NPTF Female x 1/4-18 NPTF Male	2	3
35	TA0-934667-0	Street Tee 4MPT-4FPT-4FPT	1	1
36	9504580	Wire Harness "Y" Adapter	1	-

**Cooler - Vortex 50 GPM**

Please visit [www.unverferth.com/parts/](http://www.unverferth.com/parts/) for the most current parts listing.

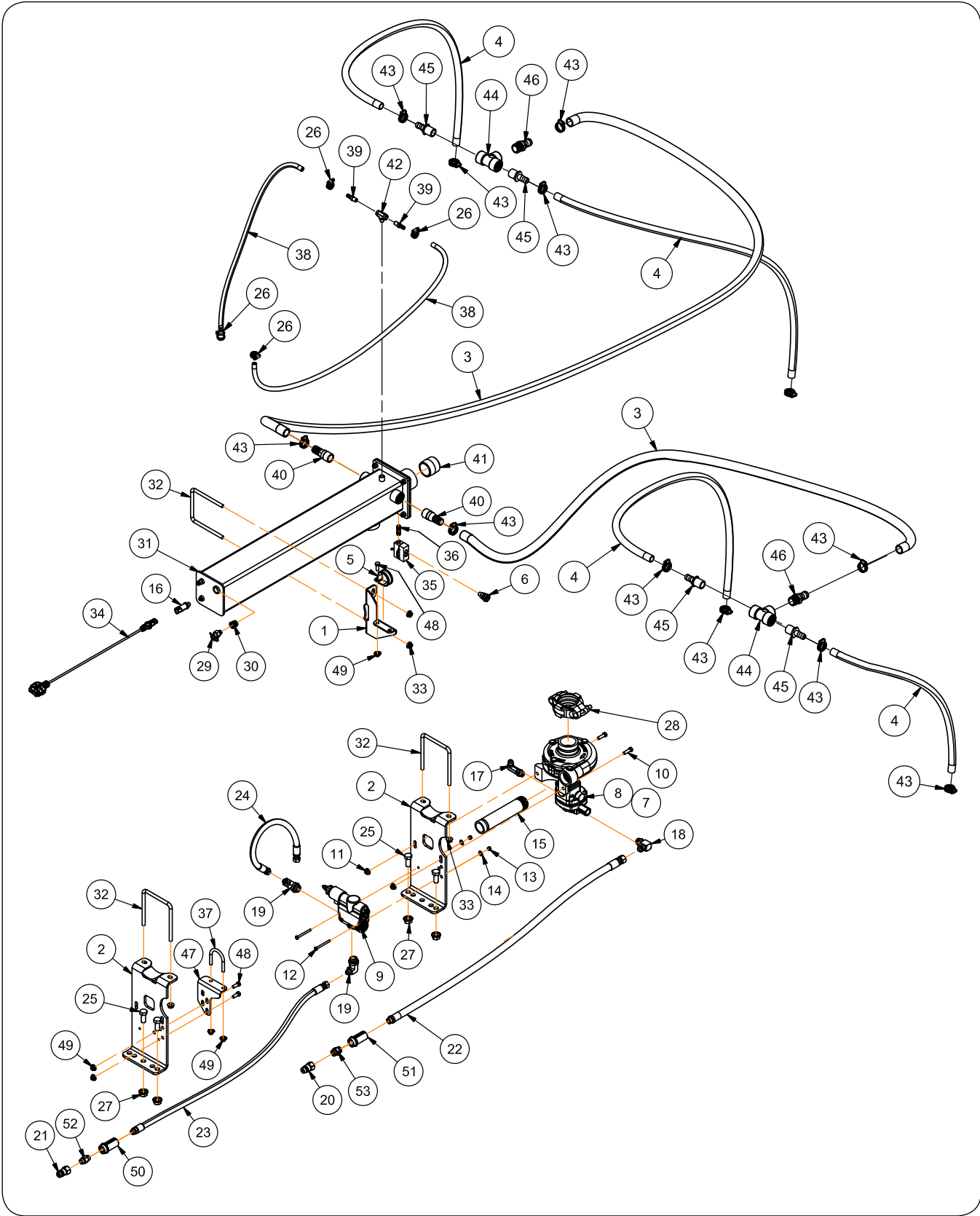


**Cooler - Vortex 50 GPM**Please visit [www.unverferth.com/parts/](http://www.unverferth.com/parts/) for the most current parts listing.

ITEM	PART NUMBER	DESCRIPTION	50 GPM Cooler Kit #43701
1	48045B	Plumbing Support Weldment =Black=	1
2	46126B	Mounting Bracket	2
3	44460	EVA Tubing, 1.31" OD x 1.0" ID x 180", Reinforced	2
4	44461	EVA Tubing, 1.0" OD x 3/4" ID x 96", Non-Reinforced	4
5	9505150	Clamp, 2 5/16" x 3"	1
6	9504898	Adapter Pipe Swivel, 1/4"-18 NPT Male x 1/2"-14 NPSM Female	1
7	92350	Plug, 1/4-18 NPTF Male, Square Head	1
8	9390-122	Capscrew, 5/8"-11UNC x 1 1/2" G5	4
9	94050	Hose Clamp 11-25MM (Size 08)	4
10	9502324	Flange Nut, 5/8"-11UNC G5	4
11	9503296	Coupling 2 1/2 Gruvlok, Flexible w/EDPM Gasket & Hdw	1
12	9503335	Bleeder Valve 1/4-18 NPT w/T-Handle	1
13	9503338	Reducer Bushing, 1/2-14NPT Male x 1/4-18 NPT Female	1
14	9503348	NH3 Vortex Cooler, Working Pressure 250 PSI	1
	9504225	Vortex Cooler, Seal/Hardware Kit	-
15	9503358	U-Bolt, 7/16"-14UNC x 6", 5 1/2" C/C	3
16	9503359	Flange Nut, 7/16"-14UNC	6
17	9503363	Outlet Manifold Weldment	1
18	9503373	Adjustable Orifice Valve 1/4-18 NPT	1
	9504221	Orifice Valve O-Ring Repair Kit	-
19	9503429	Pipe Nipple, 1/4" x 1 1/2" (Threaded Both Ends)	1
20	9503416	U-Bolt, 3/8"-16UNC x 2 7/8", 2 1/2" C/C	2
21	JCCP2569	EVA Tubing, 0.63" OD x 3/8" ID x 4", Non-Reinforced	2
22	JCP2308	Hose Barb 1/4 NPT Male x 3/8 Hose	2
23	JCP2310	Hose Barb 1", 1-11.5 NPT	2
24	JCP2729	Nipple, 2-11.5 NPT Male x 2 (Close)	1
25	TA0-904640-0	Tee 1/4-18 NPTF (Female x Female x Male)	1
26	TA800912	Hose Clamp 13/16"-1 1/2"	12
27	TA814782	Tee Poly 1-11 1/2 NPTF (Female x Female x Female)	2
28	TA814865	Hose Barb 1-11.5 MPT x 3/4 HS	4
29	TA814866	Hose Barb 1-11 1/2 MPT x 1 HS	2
30	44275B	Flow Control Support Plate	2
31	9390-055	Capscrew, 3/8"-16UNC x 1" G5	5
32	91263	Large Flange Nut, 3/8"-16UNC	9

Cooler - Vortex 80 GPM

Please visit [www.unverferth.com/parts/](http://www.unverferth.com/parts/) for the most current parts listing.

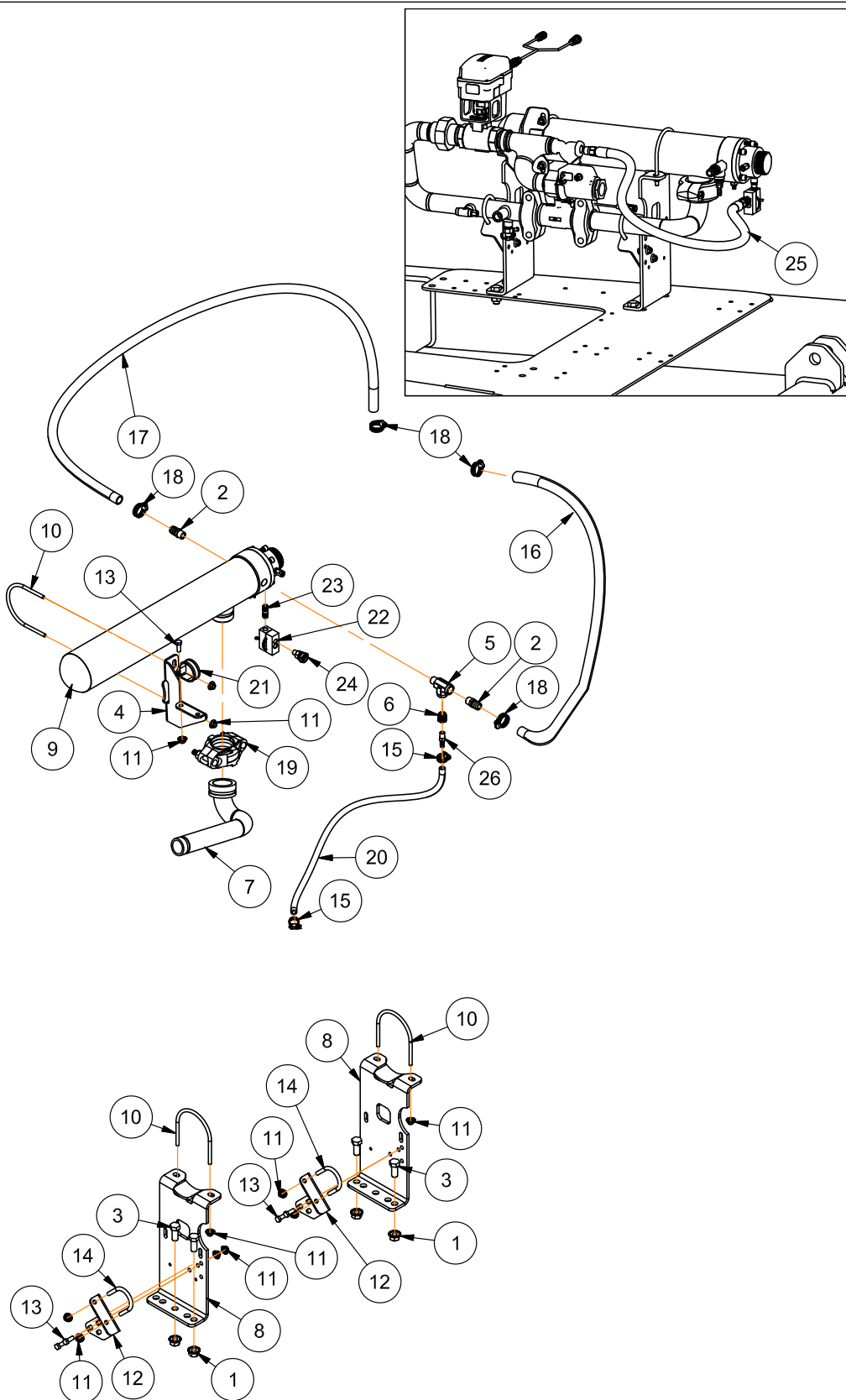


**Cooler - Vortex 80 GPM**Please visit [www.unverferth.com/parts/](http://www.unverferth.com/parts/) for the most current parts listing.

ITEM	PART NUMBER	DESCRIPTION	80 GPM Cooler Kit #43429
1	48045B	Plumbing Support Weldment =Black=	1
2	46126B	Mounting Bracket	2
3	44460	EVA Tubing, 1.31" OD x 1.0" ID x 180", Reinforced	2
4	44461	EVA Tubing, 1.0" OD x 3/4" ID x 96", Non-Reinforced	4
5	9505150	Clamp, 2 5/16" x 3"	1
6	9504898	Adapter Pipe Swivel, 1/4"-18 NPT Male x 1/2"-14 NPSM Female	1
7	9503295	Pump Upgrade Kit (Vortex to HP+ Pump)	1
8	9503355	NH3 HP+ Boost Pump & Hydraulic Motor	1
	9504226	Seal Kit (Hydraulic Motor)	-
	9504227	Seal Kit (Boost Pump)	-
9	9503490	Hydraulic PWM Control Valve, 10GPM	1
10	9390-056	Capscrew, 3/8"-16UNC x 1 1/4" G5	2
11	91263	Nut/Large Flange, 3/8"-16UNC	2
12	900900-012	Capscrew, 1/4"-20UNC x 2 3/4" (Stainless Steel)	2
13	900905-007	Elastic Stop Nut, 1/4"-20UNC (Stainless Steel)	2
14	900902-032	Flat Washer, 1/4" USS (Stainless Steel)	2
15	9503327	Pipe Nipple 1 1/2" x 9" (Stainless Steel)	1
16	9503299	Pressure Transducer 1-5 Volt, 0-250 PSI	1
17	901568	90° Elbow Extra Long, 3/4-16 JIC Male x 3/4-16 Male O-Ring	1
18	95540	90° Elbow, 7/8-14 JIC Male x 7/8-14 O-Ring Male	1
19	98218	90° Elbow, 3/4-16 JIC Male x 1 1/16-12 O-Ring Male	2
20	95477	Pioneer Male Tip, SAE 7/8-14 Female O-Ring	1
21	91383	Male Tip Coupling 3/4-16 O-Ring Female	1
22	9503491	Hose 5/8" Dia. x 192", 7/8-14 JIC Female x 7/8-14 O-Ring Male	1
23	9503492	Hose 1/2" Dia. x 194", 3/4-16 JIC Female x 3/4-16 O-Ring Male	1
24	9503493	Hose 1/2" Dia. x 22", 3/4-16 JIC Female x 3/4-16 JIC Female	1
25	9390-122	Capscrew, 5/8"-11UNC x 1 1/2" G5	4
26	94050	Hose Clamp 11-25MM (Size 08)	6
27	9502324	Flange Nut, 5/8"-11UNC G5	4
28	9503296	Coupling 2 1/2 Gruvlok, Flexible w/EDPM Gasket & Hdw	1
29	9503335	Bleeder Valve 1/4-18 NPT w/T-Handle	1
30	9503338	Reducer Bushing, 1/2-14NPT Male x 1/4-18 NPT Female	1
31	9503348	NH3 Vortex Cooler, Working Pressure 250 PSI	1
	9504225	Vortex Cooler, Seal/Hardware Kit	-
32	9503358	U-Bolt, 7/16"-14UNC x 6", 5 1/2" C/C	3
33	9503359	Flange Nut, 7/16"-14UNC	6
34	9503391	Wire Harness, Vapor Sensor To RCM	1
35	9503373	Adjustable Orifice Valve 1/4-18 NPT	1
	9504221	Orifice Valve O-Ring Repair Kit	-
36	9503429	Pipe Nipple, 1/4" x 1 1/2" (Threaded Both Ends)	1
37	9503416	U-Bolt, 3/8"-16UNC x 2 7/8", 2 1/2" C/C	2
38	JCCP2569	EVA Tubing, 0.63" OD x 3/8" ID x 4", Non-Reinforced	2
39	JCP2308	Hose Barb 1/4 NPT Male x 3/8 Hose	2
40	JCP2310	Hose Barb 1", 1-11.5 NPT	2
41	JCP2729	Nipple, 2-11.5 NPT Male x 2 (Close)	1
42	TA0-904640-0	Tee 1/4-18 NPTF (Female x Female x Male)	1
43	TA800912	Hose Clamp 13/16"-1 1/2"	12
44	TA814782	Tee Poly 1-11 1/2 NPTF (Female x Female x Female)	2
45	TA814865	Hose Barb 1-11.5 MPT x 3/4 HS	4
46	TA814866	Hose Barb 1-11 1/2 MPT x 1 HS	2
47	44275B	Flow Control Support Plate	2
48	9390-055	Capscrew, 3/8"-16UNC x 1" G5	5
49	91263	Large Flange Nut, 3/8"-16UNC	9
50	9009749	Hose Grip - BLUE (+)	1
51	9010050	Hose Grip - BLUE (-)	1
52	98508	Adapter, 3/4-16 Male O-Ring x 3/4-16 Male O-Ring	1
53	99955	Adapter, 7/8-14 SAE Male O-Ring x 7/8-14 SAE Male O-Ring	1

**Cooler - Single Continental (Optional)**

Please visit [www.unverferth.com/parts/](http://www.unverferth.com/parts/) for the most current parts listing.



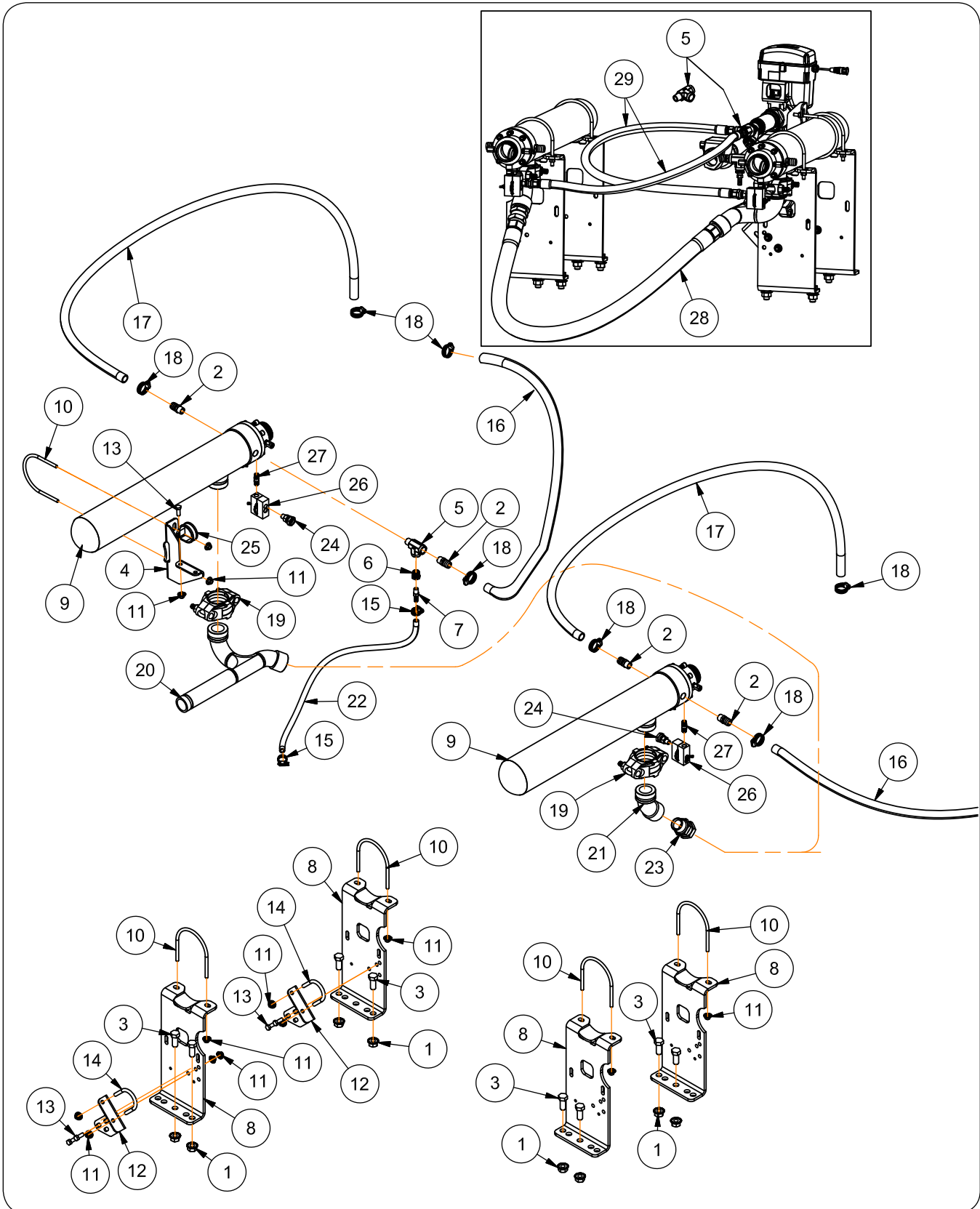
**Cooler - Single Continental (Optional)**

Please visit [www.unverferth.com/parts/](http://www.unverferth.com/parts/) for the most current parts listing.

ITEM	PART NUMBER	DESCRIPTION	QTY	NOTES
	43424	Single Continental Coolers =Black=	-	Includes Items 1-24
1	9502324	Flange Nut, 5/8"-11UNC G5	4	
2	JCP2874	Hose Barb 1/2 NPT Male x 3/4 Hose	2	
3	9390-122	Capscrew, 5/8"-11UNC x 1 1/2" G5	4	
4	48045B	Plumbing Support Weldment =Black=	1	
5	9659	Tee 1/2-14 NPTF (Male x Female x Female)	1	
6	9503338	Reducer Bushing, 1/2-14NPT Male x 1/4-18 NPT Female	1	
7	9503363	Outlet Manifold Weldment	1	
8	46126B	NH3 Cooler Mounting Bracket Weldment	2	
9	9503361	NH3 Superflow Heat Exchanger, 2" NPT Inlet, 2" Victaulic Outlet	1	
	9504220	Superflow Cooler Repair Kit	-	
10	9503652	U-Bolt, 3/8"-16UNC x 5 5/16", 4 7/8" C/C	3	
11	91263	Large Flange Nut, 3/8"-16UNC	15	
12	44275B	Flow Control Support Plate	2	
13	9390-055	Capscrew, 3/8"-16UNC x 1" G5	5	
14	9503416	U-Bolt, 3/8"-16UNC x 2 7/8", 2 1/2" C/C	2	
15	94050	Hose Clamp 11-25MM (Size 08)	2	
16	46662	EVA Tubing, 1" OD x 3/4" ID x 288"	1	
17	46661	EVA Tubing, 1" OD x 3/4" ID x 240"	1	
18	TA800912	Hose Clamp 13/16"-1 1/2"	4	
19	9503334	Reducing Coupling 2 1/2" x 2"	1	
20	JCCP2569	EVA Tubing, 0.63" OD x 3/8" ID x 4", Non-Reinforced	1	
21	9505150	Clamp, 2 5/16" x 3"	1	
22	9503373	Adjustable Orifice Valve 1/4-18 NPT	1	
	9504221	Orifice Valve O-Ring Repair Kit	-	
23	9503429	Pipe Nipple, 1/4" x 1 1/2" (Threaded Both Ends)	1	
24	9504898	Adapter Pipe Swivel, 1/4"-18 NPT Male x 1/2"-14 NPSM Female	1	
25	9504900	NH3 Hose, 1/2" Dia. x 48" (350PSI) 1/2-14 NPTF Male x 1/2-14 NPTF Male	1	
26	JCP2308	Hose Bar, 1/4 NPT Male x 3/8 Hose	1	

Cooler - Dual Continental (Optional)

Please visit [www.unverferth.com/parts/](http://www.unverferth.com/parts/) for the most current parts listing.





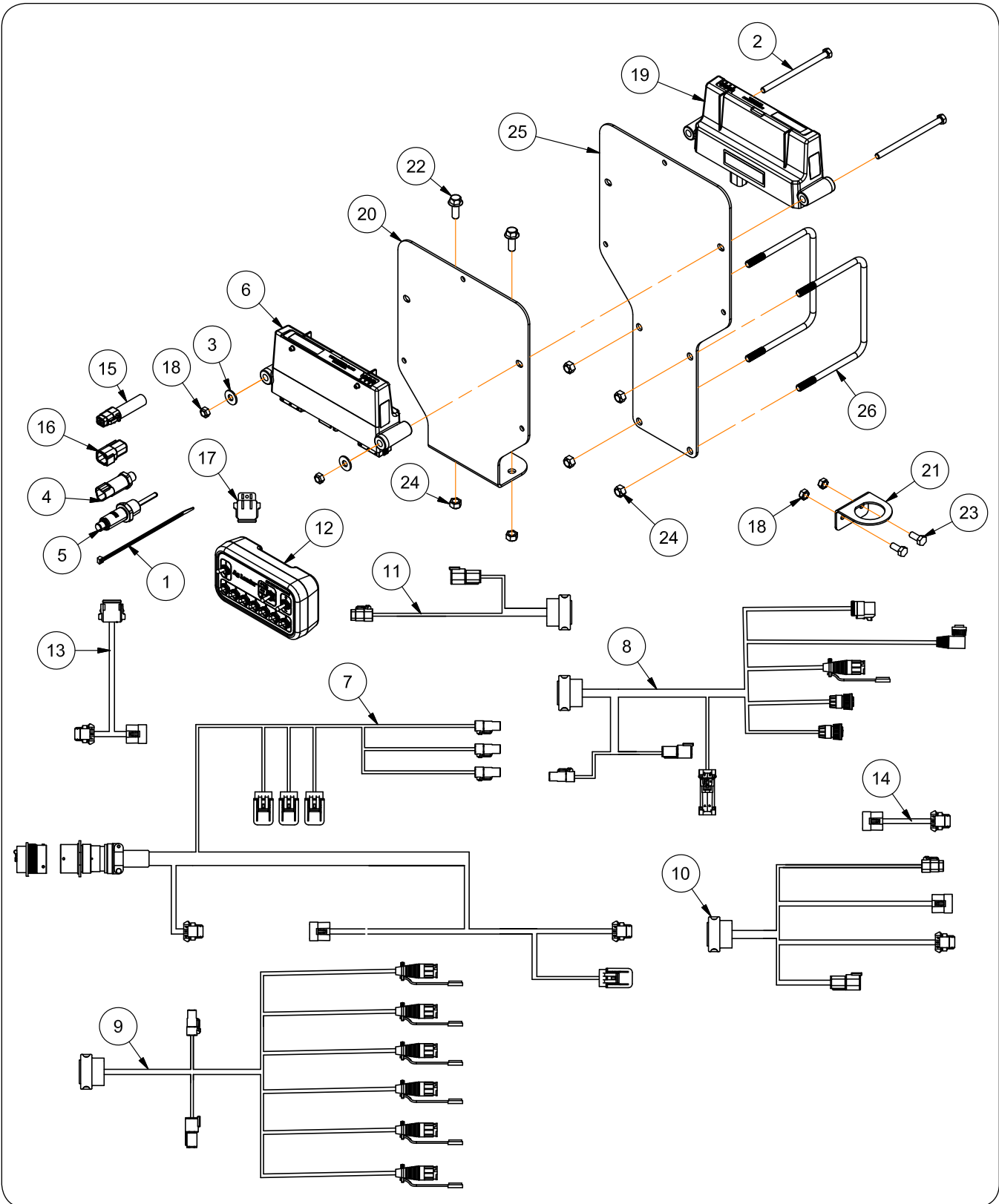
**Cooler - Dual Continental (Optional)**

Please visit [www.unverferth.com/parts/](http://www.unverferth.com/parts/) for the most current parts listing.

ITEM	PART NUMBER	DESCRIPTION	QTY	NOTES
	47508	Dual Continental Coolers =Black=	-	Includes Items 1-27
1	9502324	Flange Nut, 5/8"-11UNC G5	8	
2	JCP2874	Hose Barb 1/2 NPT Male x 3/4 Hose	4	
3	9390-122	Capscrew, 5/8"-11UNC x 1 1/2" G5	8	
4	48045B	Plumbing Support Weldment =Black=	1	
5	9659	Tee 1/2-14 NPTF (Male x Female x Female)	2	
6	9503338	Reducer Bushing, 1/2-14NPT Male x 1/4-18 NPT Female	1	
7	JCP2308	Hose Bar, 1/4 NPT Male x 3/8 Hose	1	
8	46126B	NH3 Cooler Mounting Bracket Weldment	4	
9	9503361	NH3 Superflow Heat Exchanger, 2" NPT Inlet, 2" Victaulic Outlet	2	
	9504220	Superflow Cooler Repair Kit	-	
10	9503652	U-Bolt, 3/8"-16UNC x 5 5/16", 4 7/8" C/C	5	
11	91263	Large Flange Nut, 3/8"-16UNC	23	
12	44275B	Flow Control Support Plate	2	
13	9390-055	Capscrew, 3/8"-16UNC x 1" G5	5	
14	9503416	U-Bolt, 3/8"-16UNC x 2 7/8", 2 1/2" C/C	2	
15	94050	Hose Clamp 11-25MM (Size 08)	2	
16	46662	EVA Tubing, 1" OD x 3/4" ID x 288"	2	
17	46661	EVA Tubing, 1" OD x 3/4" ID x 240"	2	
18	TA800912	Hose Clamp 13/16"-1 1/2"	8	
19	9504791	Coupling 2" Clamp on Grooved End Female	2	
20	47481SM	Dual Cooler Plumbing Weldment =Silver Mist=	1	
21	47485SM	Dual Cooler Plumbing Weldment, 45° Elbow =Silver Mist=	1	
22	JCCP2569	EVA Tubing, 0.63" OD x 3/8" ID x 4", Non-Reinforced	1	
23	JDP4397	Pipe Swivel Union, 1 1/4-11.5 NPT Male x 1 1/4-11.5 NPSM Female	1	
24	9504898	Adapter Pipe Swivel, 1/4"-18 NPT Male x 1/2"-14 NPSM Female	2	
25	9505150	Clamp, 2 5/16" x 3"	1	
26	9503373	Adjustable Orifice Valve 1/4-18 NPT	2	
	9504221	Orifice Valve O-Ring Repair Kit	-	
27	9503429	Pipe Nipple, 1/4" x 1 1/2" (Threaded Both Ends)	2	
28	9503382	NH3 Hose, 1/2" Dia. x 48" (350PSI) 1 1/4-11.5 NPTF Male x 1 1/4-11.5 NPTF Male	1	
29	9504900	NH3 Hose, 1/2" Dia. x 48" (350PSI) 1/2-14 NPTF Male x 1/2-14 NPTF Male	2	

### AG Leader Rate Controller Components

Please visit [www.unverferth.com/parts/](http://www.unverferth.com/parts/) for the most current parts listing.



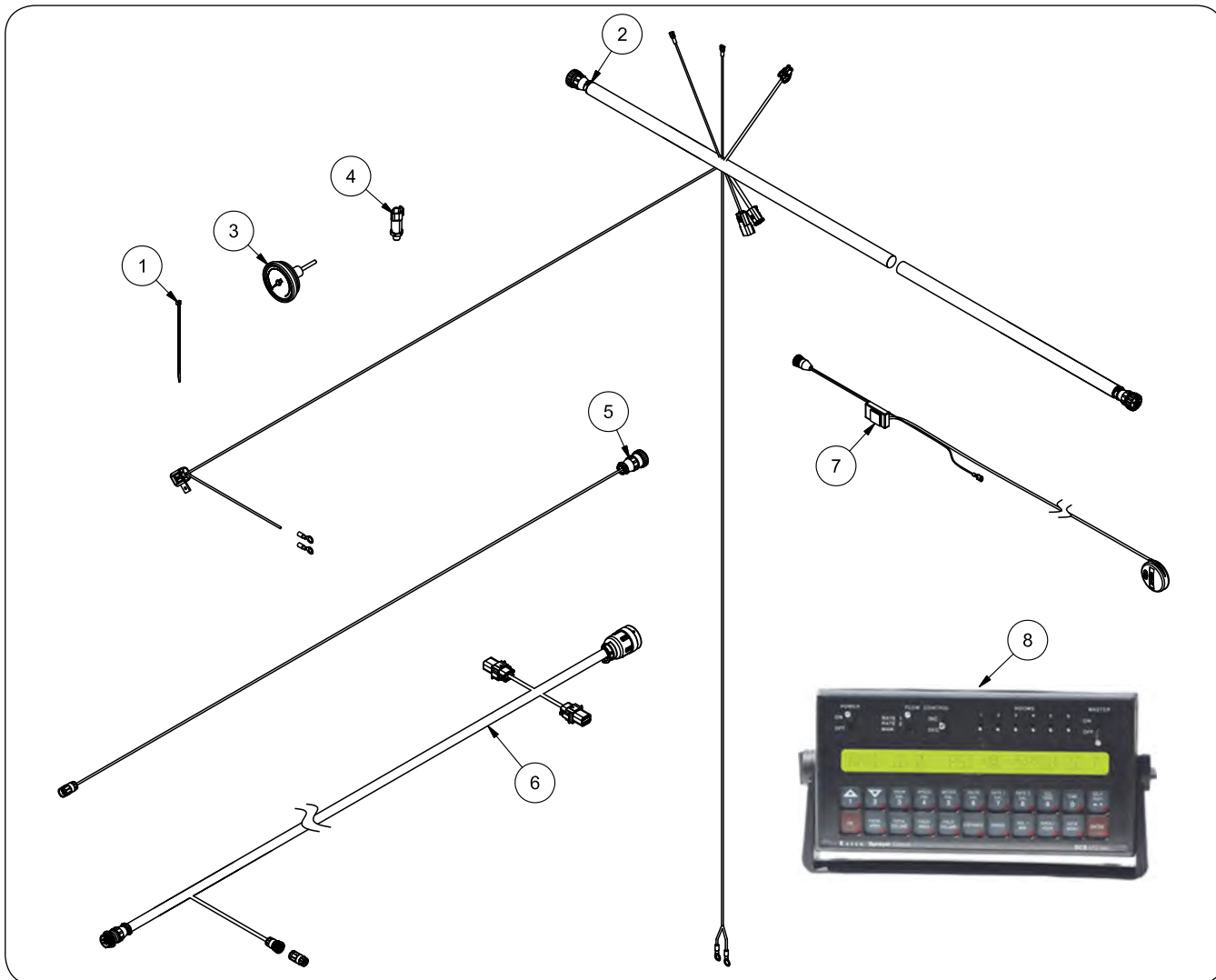
## AG Leader Rate Controller Components

Please visit [www.unverferth.com/parts/](http://www.unverferth.com/parts/) for the most current parts listing.

ITEM	PART NUMBER	DESCRIPTION	QTY	NOTES
	47984B	ISOBUS Rate Controller Kit	-	Includes Items 1-19
1	9000106	Cable Tie 7 1/2"	6	
2	9390-044	Capscrew, 5/16"-18UNC x 5" G5	2	
3	9405-070	Flat Washer, 5/16" USS	2	
4	9503299	Pressure Transducer	1	
5	9503384	NH3 Vapor Sensor	1	
6	9505084	Rate Control Module, ISO Liquid	1	
7	9505086	Wire Harness 16. Ft., Front IBIC	1	
8	9505087	Wire Harness, Flow Control Cable	1	
9	9505088	Wire Harness, Swath Control	1	
10	9505089	Wire Harness, ISOBUS Breakout	1	
11	9505090	Wire Harness, Local CAN Breakout	1	
12	9505091	Switch Box	1	
13	9505092	Wire Harness, ISO Switch Box	1	
14	9505093	Wire Harness, ISO Active Imp Termination	1	
15	9505094	Terminator Plug, Local CAN	1	
16	9505095	Terminator Receptacle, Local CAN	1	
17	9505096	Dust Plug	1	
18	9807	Locknut/Top, 5/16"-18UNC	2	
19	9505085	Swath Control Module, ISO	1	
20	47434B	RCM Mounting Plate, Large =Black=	1	
21	281837B	Plug Holder =Black=	1	
22	91262	Flange Screw, 3/8"-16UNC x 1" G5	2	
23	9390-028	Capscrew, 5/16"-18UNC x 3/4" G5	2	
24	9928	Locknut/Top, 3/8"-16UNC	6	
25	44277B	RCM Mounting Plate, Small =Black=	1	
26	JBP3045	U-Bolt, 3/8"-16UNC x 5", 6 7/16" C/C	2	

**Raven 450 Rate Controller Components**

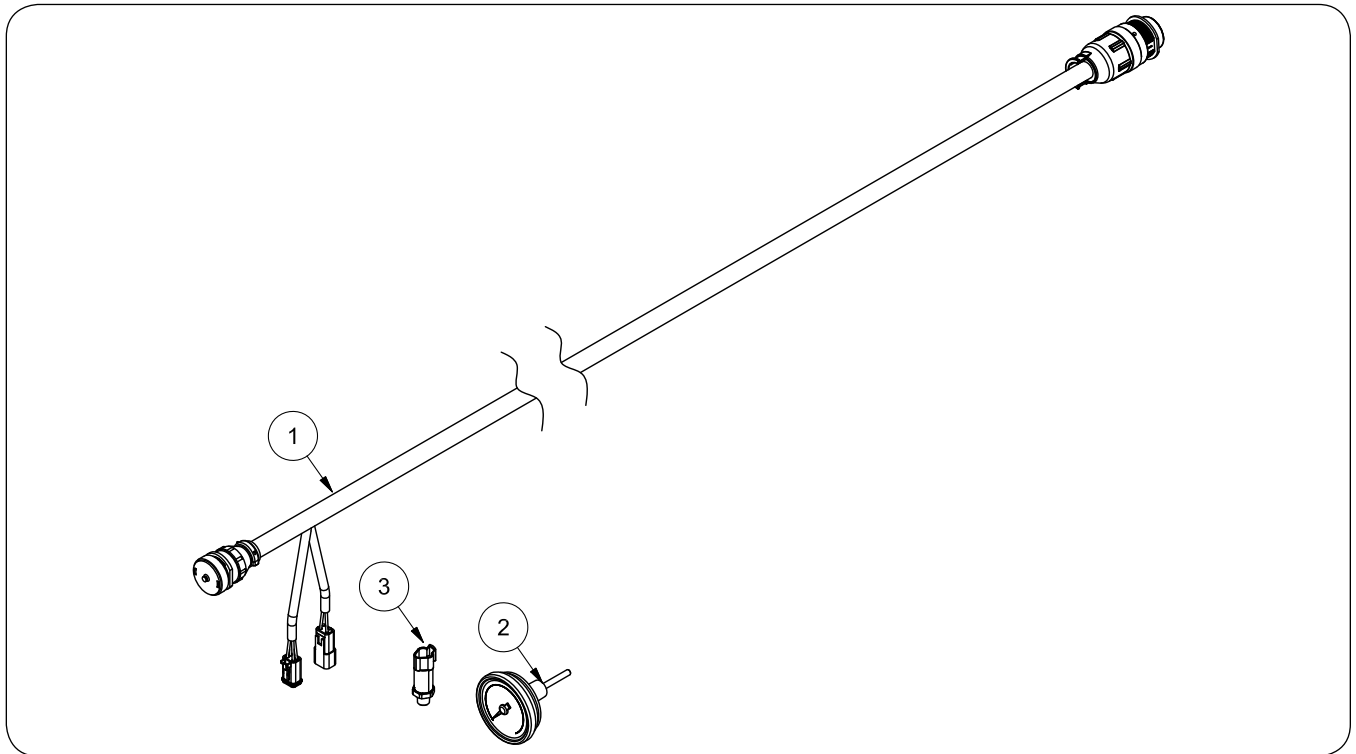
Please visit [www.unverferth.com/parts/](http://www.unverferth.com/parts/) for the most current parts listing.



ITEM	PART NUMBER	DESCRIPTION	QTY	NOTES
	43443	Raven 450 Rate Controller		Includes Items 1-7
1	9000106	Cable Tie 7 1/2"	6	
2	9007549	Harness - Console	1	
3	9503298	Temperature Gauge	1	
4	9503299	Pressure Transducer	1	
5	9503395	Wire Harness, Console 10 Ft. (Transducer to Console)	1	
6	9503396	Wire Harness, 16-Pin (Console to 47-Pin Connector)	1	
7	TA723025	Astro GPS Speed Sensor	1	
8	TA720315	Control Console, Raven SCS 450	1	

**Less ISO Controller Components**

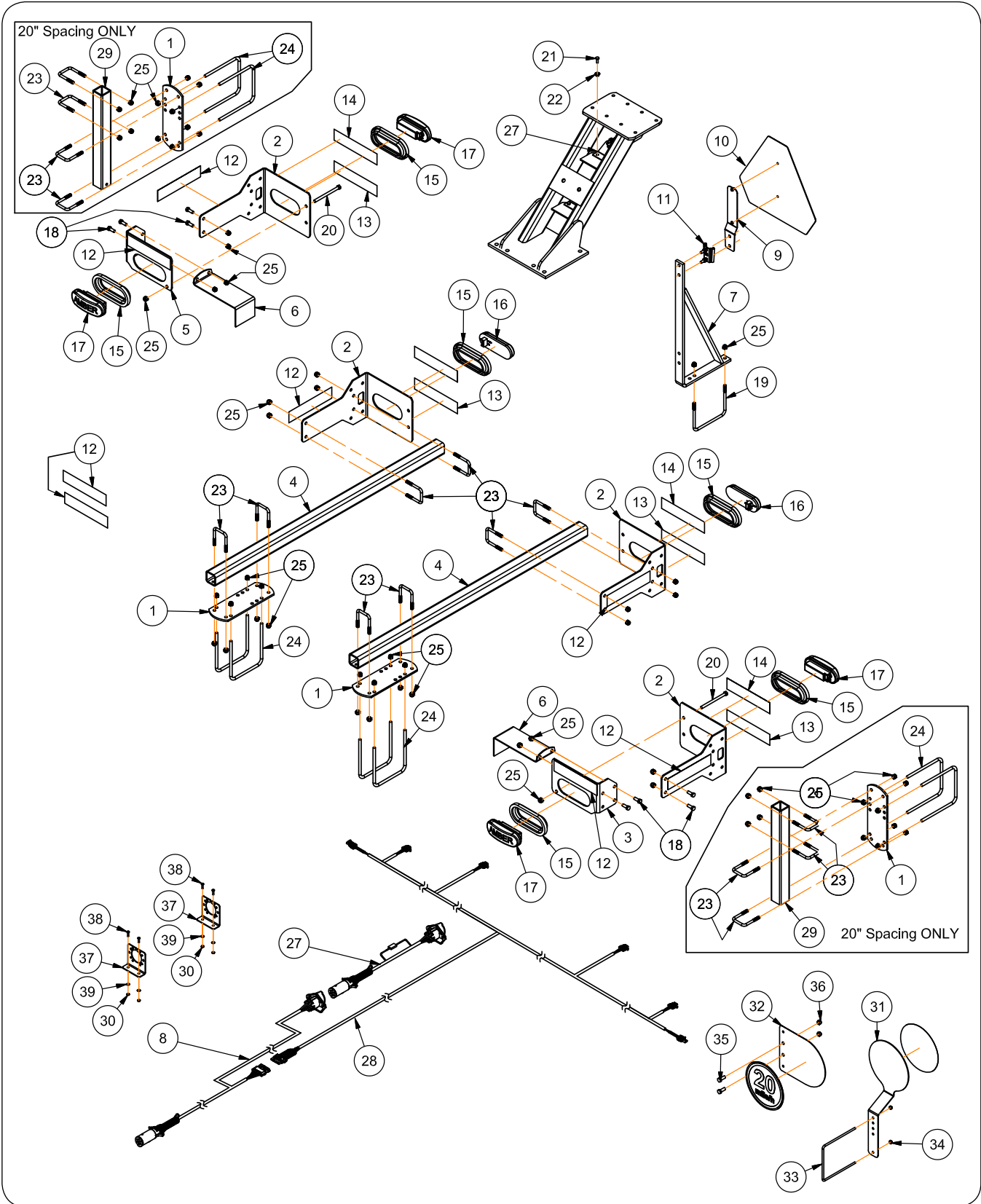
Please visit [www.unverferth.com/parts/](http://www.unverferth.com/parts/) for the most current parts listing.



ITEM	PART NUMBER	DESCRIPTION	QTY	NOTES
1	9009175	Product Flow & Rate Harness	1	
2	9503298	Temperature Gauge	1	
3	9503299	Pressure Transducer	1	

Lighting Components

Please visit [www.unverferth.com/parts/](http://www.unverferth.com/parts/) for the most current parts listing.



## Lighting Components

Please visit [www.unverferth.com/parts/](http://www.unverferth.com/parts/) for the most current parts listing.

ITEM	PART NUMBER	DESCRIPTION	QTY			NOTES
			12, 13, 15, 16, 17, 18, 19 ROW 30" SPACING	20 & 21 ROW 30" SPACING	18 & 24 ROW 20" SPACING	
	J41000023	Lighting Kit, For 12/13/15/16/17/18/19 Row 30" Spacing Units	1	-	-	Includes Items 1-39
	J41000024	Lighting Kit, For 20 & 21 Row 30" Spacing Units	-	1	-	Includes Items 2-39
	J41000025	Lighting Kit, For 18 & 24 Row 20" Spacing Units	-	-	1	Includes Items 1-39
1	JAM3408	Light Post Mounting Plate	2	-	4	
2	JAM3414	Rear Light Bracket	4	4	4	
3	JAM3415	Front, Left-Hand Light Bracket	1	1	1	
4	JAM3416	Tube Light Bracket, 48"	2	-	2	
5	JAM3417	Front, Right-Hand Light Bracket	1	1	1	
6	JAM3418	Light Bracket Shield	2	2	2	
7	JAM3420	SMV Mounting Bracket, Tall	1	1	1	
8	JAP3221	Branch Electrical Harness 33'	1	1	1	
9	TA510516	SMV Spade Mounting with Hardware	1	1	1	
10	TA510514	SMV Emblem	1	1	1	
11	TA510515	SMV Socket Bracket	1	1	1	
12	9003127	Reflector, AMBER (2" x 9")	8	8	8	
13	9003126	Reflector, RED (2" x 9")	4	4	4	
14	9003125	Fluorescent Strip (2" x 9")	4	4	4	
15	97182	Grommet for Panel Light	6	10	6	
16	902217	Light/RED LED, 10 Diode, 3 Prong Panel Mount	2	2	2	
17	JAP4415	Light/AMBER LED	4	4	4	
18	9390-055	Capscrew, 3/8"-16UNC x 1" G5	16	16	4	
19	JBP3045	U-Bolt, 3/8"-16UNC x 5", 6 7/16"CC	1	1	1	
20	9390-069	Capscrew, 3/8"-16UNC x 5" G5	2	2	2	
21	97420	Flange Screw, 1/4"-20UNC x 3/4" G5	8	8	8	
22	97189	Hex Nut/Large Flange, 1/4"-20UNC	8	8	8	
23	JBP3736	U-Bolt, 3/8"-16UNC x 2"W x 3"L	4	4	12	
24	JBP3351	U-Bolt, 3/8"-16UNC x 7", 6 7/16CC	4	-	4	
25	9398-012	Elastic Locknut, 3/8"-16UNC	37	20	56	
27	JAP3223	Plug Electrical Harness (AP Plug to 7P RV Socket)	1	1	1	
28	JAP3222	Rear Electrical Harness 27'	1	1	1	
29	JAM3419	Tube Light Bracket, 17 5/8"	-	-	2	
30	9830-017	Hex Nut, #10-24UNC	4	4	4	
31	79340B	SIS Bracket with Decal	1	1	1	
	9008714	SIS Decal, 20 MPH	1	1	1	
32	79339B	SIS Plate with Decal	1	1	1	
	9008714	SIS Decal, 20 MPH	1	1	1	
33	97898	U-Bolt, 1/4"-20UNC x 6 5/8", 6 1/4" C/C	1	1	1	
34	9936	Locknut/Top, 1/4"-20UNC	2	2	2	
35	9390-055	Capscrew, 3/8"-16UNC x 1" G5	2	10	10	
36	9928	Locknut/Top, 3/8"-16UNC	2	2	2	
37	45304B	Universal Mounting Bracket	2	2	2	
38	903172-136	Pan Head #10-24UNC x 3/4", Phillips Machine Screw	4	4	4	
39	9405-050	Flat Washer, #10 SAE	4	4	4	



***Unverferth***<sup>®</sup>  
***Manufacturing Company, Inc.***

[www.unverferth.com](http://www.unverferth.com)